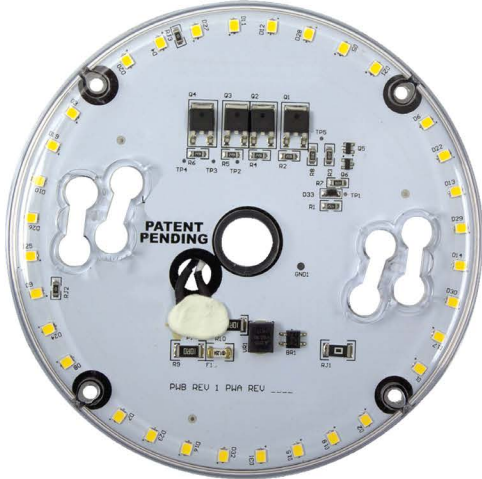




PHOTOMETRICS

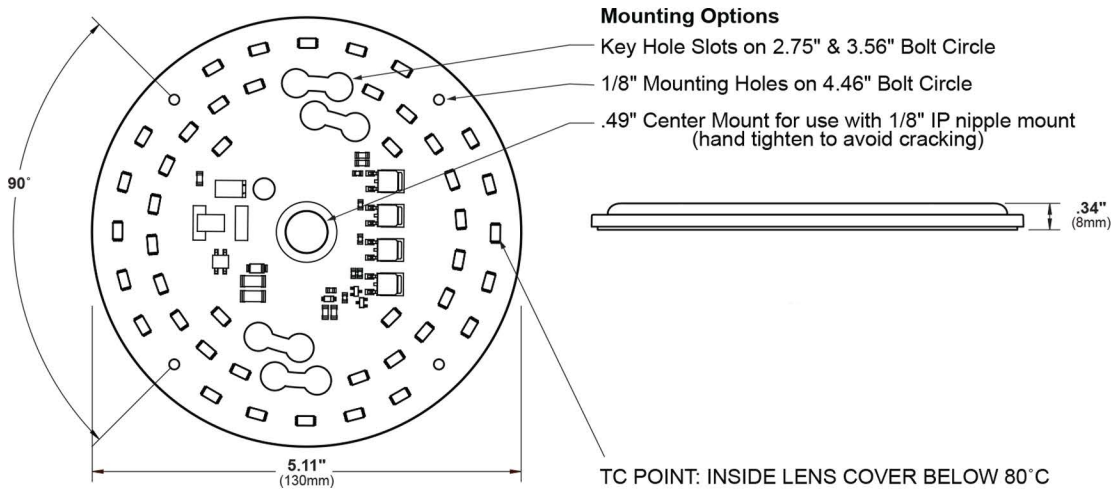
LED 22



- AC Driver-On-Board Technology
- Multiple Mounting Options
- Data per NVLAP Accredited Laboratory
- Electronic Dimming (See page 4)
- Energy Star CSD
- 5 Year Limited Warranty

Specifications:

- 22W LED Array
- Input Voltage: 120 VAC; 50/60 HZ
- Available in 3000K (1950 Lumens) or 4000K (2130 Lumens)
- 80 CRI
- High Power Factor > 0.95
- Estimated 50,000 hrs L70
- Optical grade polycarbonate lens
- Multiple mounting options for easy install
- Surge Protection
- 18" 18 AWG Leads
- UL file: E464765 Certified under UL Standard 8750
- FCC compliance Class B



RoHS compliant



BUILDING ACOUSTICS & LIGHTING LABORATORIES, INC.

1618 HEADLAND DR.
FENTON, MO 63026
(636) - 343-6006
(636) - 343-6051 FAX

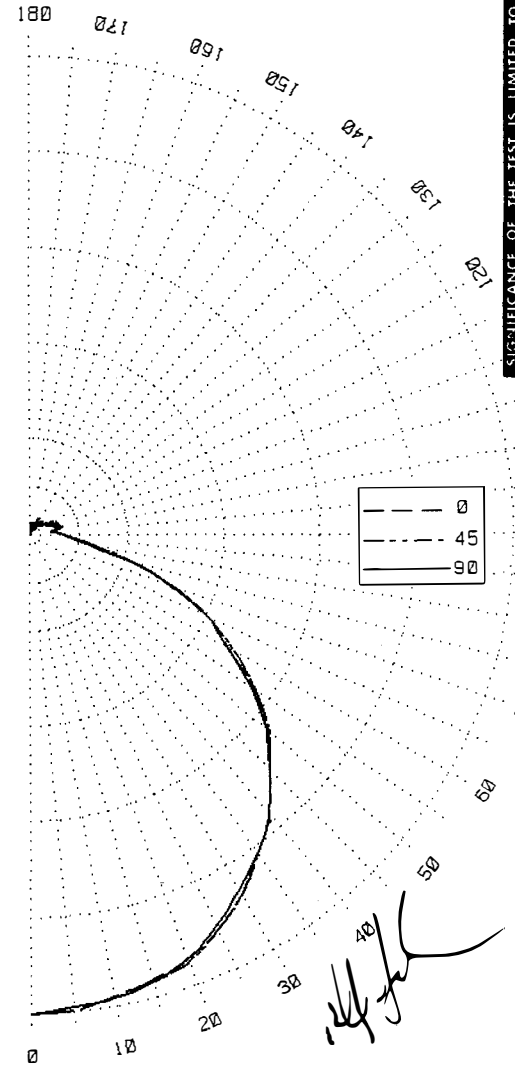


BALLABS CERTIFIED TEST REPORT NO.: 18263.0 DATE 07/17/14
 PREPARED FOR: PRIMELITE MFG CO - FREEPORT, NY
 DESCRIPTION: 1-(44LED) 22W 14"DIA CEILING MOUNT CLOUD LUMINAIRE
 WHITE REFLECTOR w/CLEAR ACRYLIC LENS OVER LEDS

WHITE ACRYLIC DRUM DIFFUSER
 CATALOG NBR: 560/14 LED 22
 LAMP TYPE 1800LM-SAM5630-VER1-RATED LUMENS NA. NBR. LAMPS:- 1

CANDLEPOWER DISTRIBUTION

VERT ANG	HORIZONTAL ANGLE					ZONAL LUMENS
	0	22.5	45	67.5	90	
0	277.	277.	277.	277.	277.	277.
5	276.	274.	274.	274.	274.	26.1
10	270.	272.	271.	270.	271.	
15	266.	267.	267.	265.	267.	75.6
20	261.	263.	263.	261.	261.	
25	252.	251.	252.	249.	250.	116.2
30	241.	240.	241.	238.	238.	
35	226.	228.	226.	227.	226.	142.5
40	212.	211.	212.	210.	212.	
45	193.	194.	193.	193.	193.	149.9
50	177.	176.	178.	180.	176.	
55	157.	154.	157.	156.	154.	139.9
60	131.	132.	135.	133.	130.	
65	113.	111.	112.	111.	112.	110.7
70	87.	88.	88.	87.	86.	
75	62.	64.	63.	62.	61.	66.6
80	38.	40.	41.	39.	37.	
85	26.	26.	27.	26.	25.	29.0
90	20.	21.	20.	21.	20.	
95	17.	18.	17.	18.	17.	19.0
100	12.	15.	15.	16.	15.	
105	18.	18.	19.	18.	18.	19.3
110	15.	16.	17.	16.	16.	
115	15.	17.	17.	17.	16.	16.4
120	12.	13.	13.	15.	13.	
125	12.	12.	15.	12.	11.	11.0
130	11.	11.	10.	11.	11.	
135	10.	8.	8.	8.	8.	6.6
140	10.	12.	10.	11.	11.	
145	8.	8.	8.	8.	7.	5.2
150	4.	5.	4.	5.	5.	
155	7.	11.	11.	8.	7.	4.3
160	5.	5.	5.	5.	6.	
165	7.	6.	6.	5.	5.	1.7
170	2.	3.	2.	2.	1.	
175	5.	7.	7.	6.	5.	.6
180	4.	4.	4.	4.	4.	



NVLAP LAB CODE 200921-0

LUMEN SUMMARY

ZONE	LUMENS	%LAMP	%FIXT	ZONE	LUMENS	%LAMP	%FIXT
0- 30	218.	NA.	23.2	90-120	55.	NA.	5.8
0- 40	360.	NA.	38.3	90-130	66.	NA.	7.0
0- 60	650.	NA.	69.1	90-150	78.	NA.	8.2
0- 90	856.	NA.	91.1	90-180	84.	NA.	8.9
TOTAL LUMINAIRE =				0-180	941.	NA.	100.0

IES SPACING CRITERIA: END= 1.3 DIAGONAL = 1.3 CROSS= 1.3

SIGNIFICANCE OF THE TEST IS LIMITED TO THE DEGREE THAT THE TESTED SAMPLE IS REPRESENTATIVE. OTHER FACTORS AFFECT FIELD PERFORMANCE.

BALLABS CERTIFIED TEST REPORT NO.: 18263.0 DATE 07/17/14
 PREPARED FOR: PRIMELITE MFG CO - FREEPORT, NY
 DESCRIPTION: 1-(44LED) 22W 14"DIA CEILING MOUNT CLOUD LUMINAIRE
 WHITE REFLECTOR w/CLEAR ACRYLIC LENS OVER LEDS
 WHITE ACRYLIC DRUM DIFFUSER
 CATALOG NBR: 560/14 LED 22
 LAMP TYPE 1800LM-SAM5630-VER1-RATED LUMENS NA. NBR. LAMPS:- 1

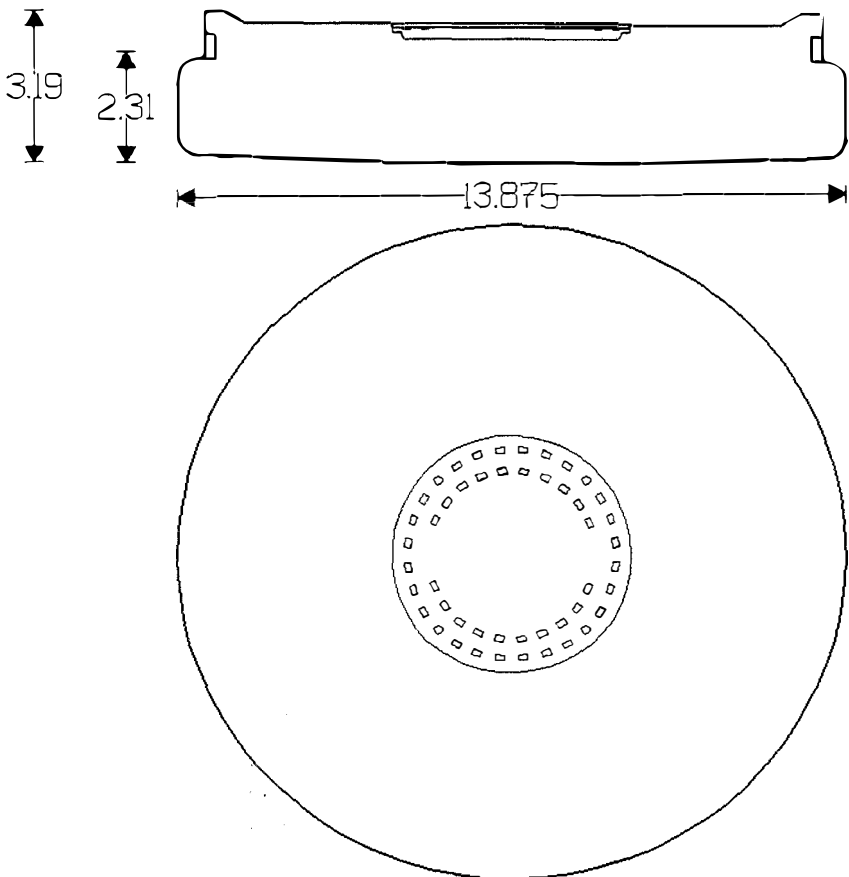
VERT ANGLE	LUMINANCES-CD/SQ-M HORIZONTAL ANGLE		
	0	45	90
45	2780.	2349.	2349.
55	2791.	2211.	2167.
65	2720.	1934.	1934.
75	2449.	1478.	1429.
85	3082.	1035.	955.

MAXIMUM BRIGHTNESSES NOT MEASURED

ELECTRICAL CHARACTERISTICS 120.0V .1919A 22.366W

LUMINOUS EFFICACY (LUMENS / WATTS) = 42.1

TESTED IN ACCORDANCE WITH CURRENT IES STANDARDS
 UTILIZING ABSOLUTE PHOTOMETRY PER LM-79-08



BUILDING ACOUSTICS & LIGHTING LABORATORIES, INC.

1618 HEADLAND DR.
 FENTON, MO 63026
 (636) - 343-6006
 (636) - 343-6051 FAX



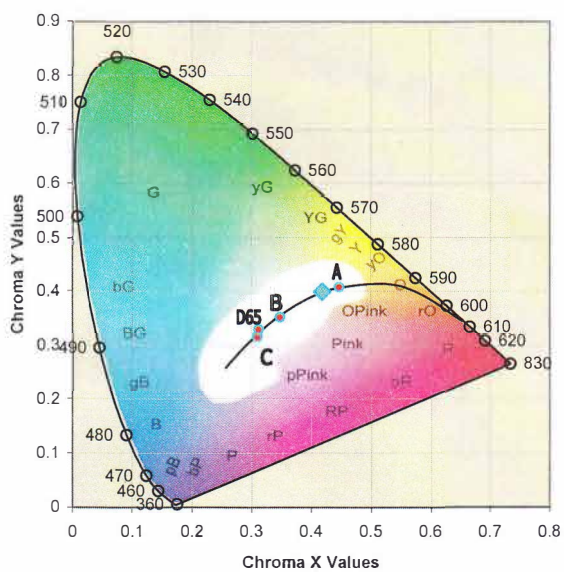
BALLABS CERTIFIED TEST REPORT NO.: 18263.0 A DATE 07/17/14
 PREPARED FOR: PRIMELITE MFG CO - FREEPORT, NY
 DESCRIPTION: 1-(44LED) 22W 14"DIA CEILING MOUNT CLOUD LUMINAIRE
 WHITE REFLECTOR w/CLEAR ACRYLIC LENS OVER LEDS

WHITE ACRYLIC DRUM DIFFUSER
 CATALOG NBR: 560/14 LED 22
 LAMP TYPE 1800LM-SAM5630-VER1-RATED LUMENS NA. NBR. LAMPS:- 1

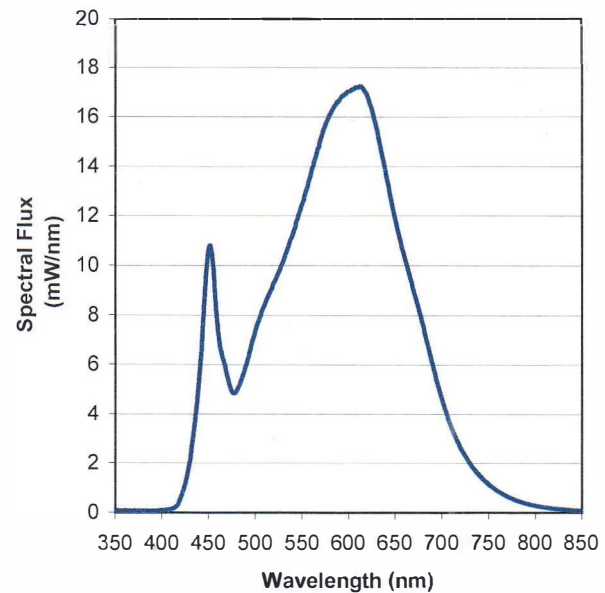
INPUT VOLTAGE (V)	120.0
INPUT CURRENT (A)	0.1919
INPUT WATTS (W)	22.366
POWER FACTOR	0.9710
THDv (%)	0.2147%
THDi (%)	24.4610%
LUMINOUS EFFICACY-LPW	42.1
LUMINOUS FLUX- LUMENS	941
CHROMA x	0.4195
CHROMA y	0.399
CHROMA u	0.2415
CHROMA v	0.3445
DELTA uv (Duv)	0.0006
CORR COLOR TEMP (K)	3272
COLOR REND INDEX (RA)	86.12
COLOR REND INDEX (R9)	29.3

Wavelength (nm)	Spectral Flux mW/nm	Wavelength (nm)	Spectral Flux mW/nm
350	0.0581	610	17.1703
360	0.0743	620	16.8772
370	0.0619	630	15.5507
380	0.0604	640	13.7506
390	0.0604	650	11.9000
400	0.0849	660	10.3880
410	0.1359	670	8.9841
420	0.5255	680	7.5730
430	2.0167	690	6.0462
440	5.3170	700	4.6384
450	10.5552	710	3.4874
460	7.5695	720	2.6448
470	5.5737	730	1.9872
480	4.9084	740	1.5169
490	5.9191	750	1.1521
500	7.3086	760	0.8720
510	8.3684	770	0.6555
520	9.2859	780	0.4908
530	10.1709	790	0.3697
540	11.2058	800	0.2803
550	12.4326	810	0.2147
560	13.7268	820	0.1636
570	15.0685	830	0.1248
580	16.1038	840	0.0971
590	16.6790	850	0.0773
600	17.0132		

Chromaticity Diagram CIE 1931 2 Degree



Data collected utilizing a Labsphere integrating sphere and 2100 spectroradiometer. Calibration of the spectroradiometer-sphere is traceable to the National Institute of Standards and Technology.



Kelly C. Lerbs

NVLAP LAB CODE 200921-0

Kelly C. Lerbs
 Vice President

SIGNIFICANCE OF THE TEST IS LIMITED TO THE DEGREE THAT THE TESTED SAMPLE IS REPRESENTATIVE. OTHER FACTORS AFFECT FIELD PERFORMANCE.