



LUMINAIRE TESTING LABORATORY, INC.

SUSTAINING
MEMBER
of the
IESNA

905 Harrison Street · Allentown, PA 18103 · 610-770-1044 · Fax 610-770-8912 · www.LuminaireTesting.com

LTL NUMBER: 14180

DATE: 11-13-2008

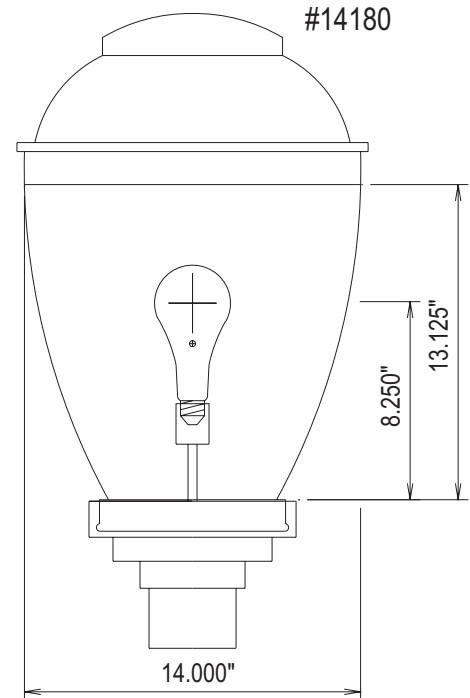
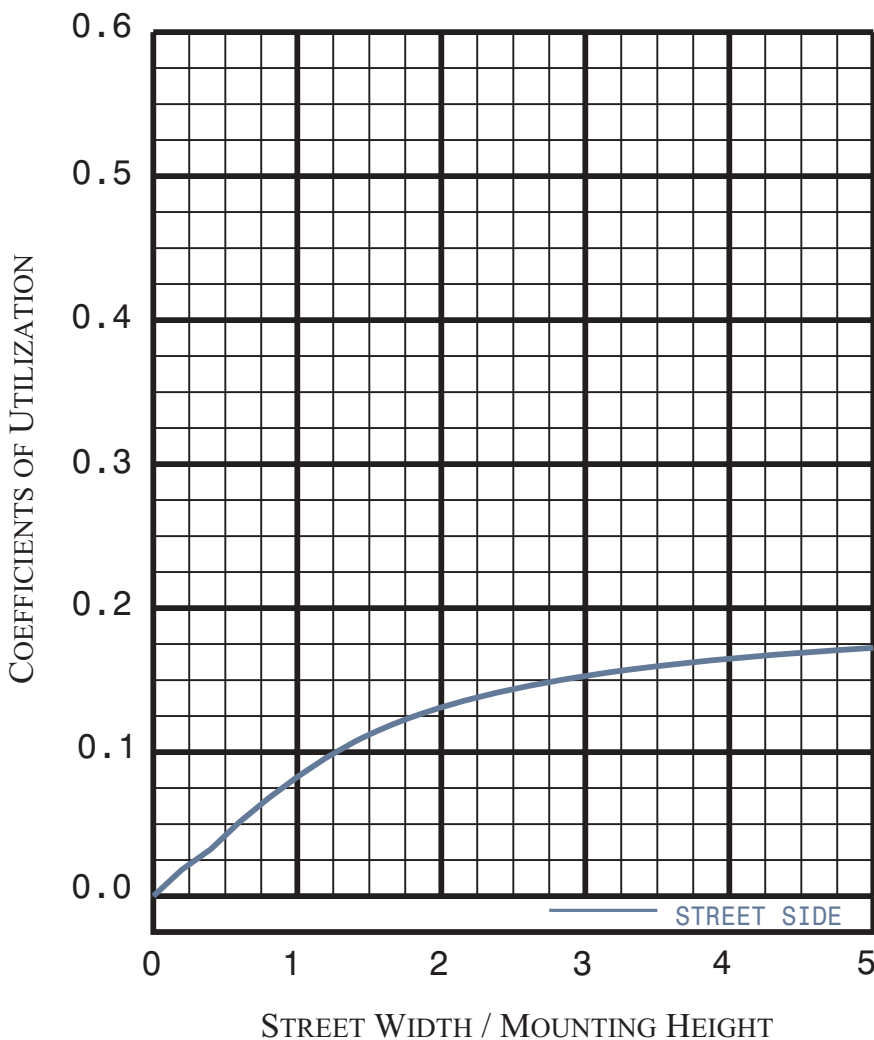
PREPARED FOR: PRIMELITE MANUFACTURING CORP.

CATALOG NUMBER: 1271

LUMINAIRE: CAST ALUMINUM HOUSING, FROSTED PLASTIC ENCLOSURE WITH MOLDED BLACK PLASTIC TOP.

LAMP: ONE VBD FROSTED 300 WATT PS25 INCANDESCENT LAMP RATED AT 6300 LUMENS.

LAMP CATALOG NUMBER: GE 300W-PS30



IES CLASSIFICATION: **TYPE V**
CUTOFF CLASSIFICATION: **NON-CUTOFF**

FLUX DISTRIBUTION

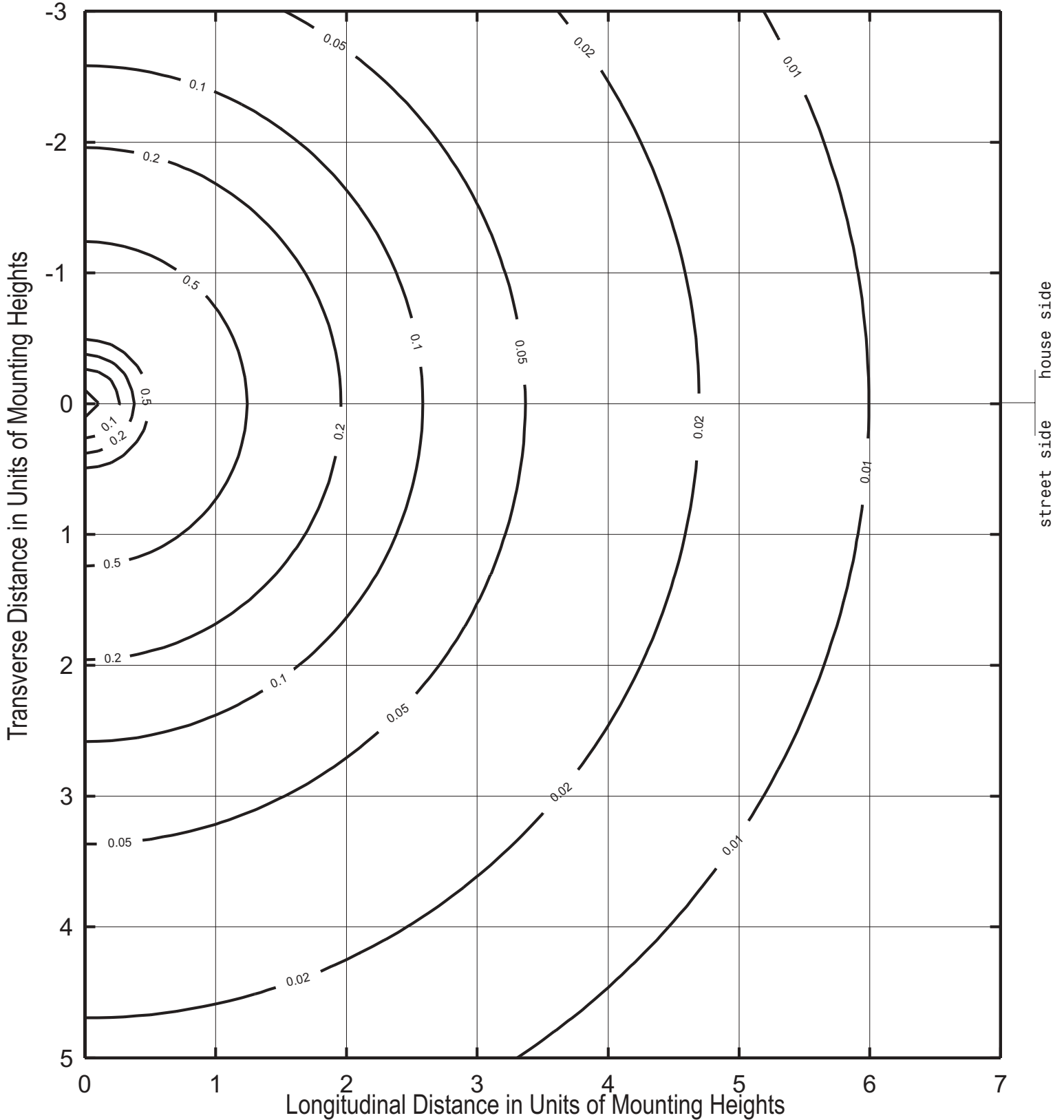
LUMENS	DOWNWARD	UPWARD	TOTALS
HOUSE SIDE	1287.99 (20.4%)	885.68 (14.1%)	2173.66 (34.5%)
STREET SIDE	1287.99 (20.4%)	885.68 (14.1%)	2173.66 (34.5%)
TOTALS	2575.97 (40.9%)	1771.36 (28.1%)	4347.33 (69.0%)

Approved By: MG

THIS REPORT BASED ON LM-31 AND OTHER PERTINENT IESNA PROCEDURES.



ISOFOOTCANDLE LINES OF HORIZONTAL ILLUMINATION VALUES BASED ON 15.00 FOOT MOUNTING HEIGHT



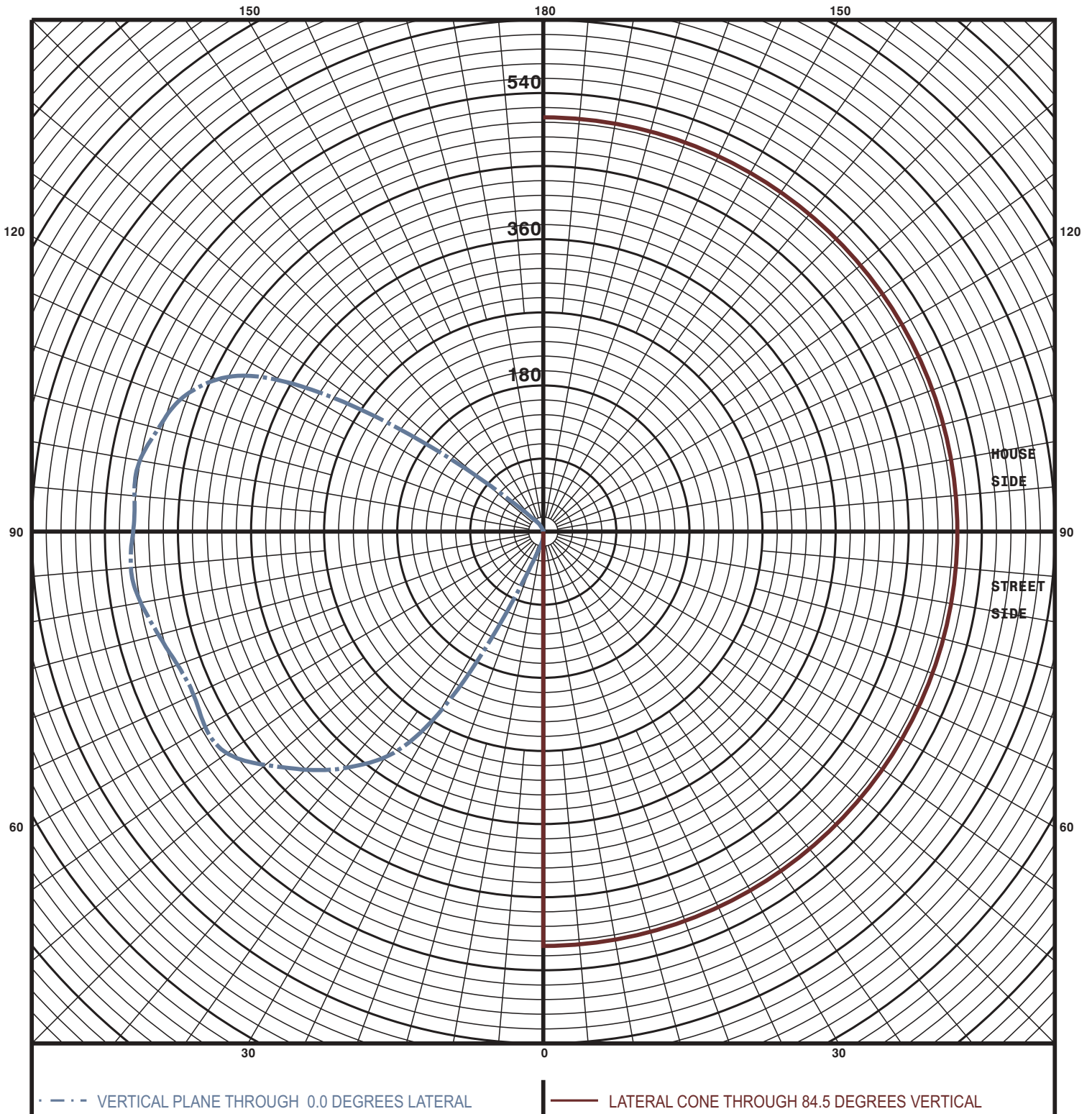


CANDELA DISTRIBUTION

Table with 12 columns (0-90) and 24 rows (180-0) showing candela distribution values. The row for 84.5 is highlighted in grey.



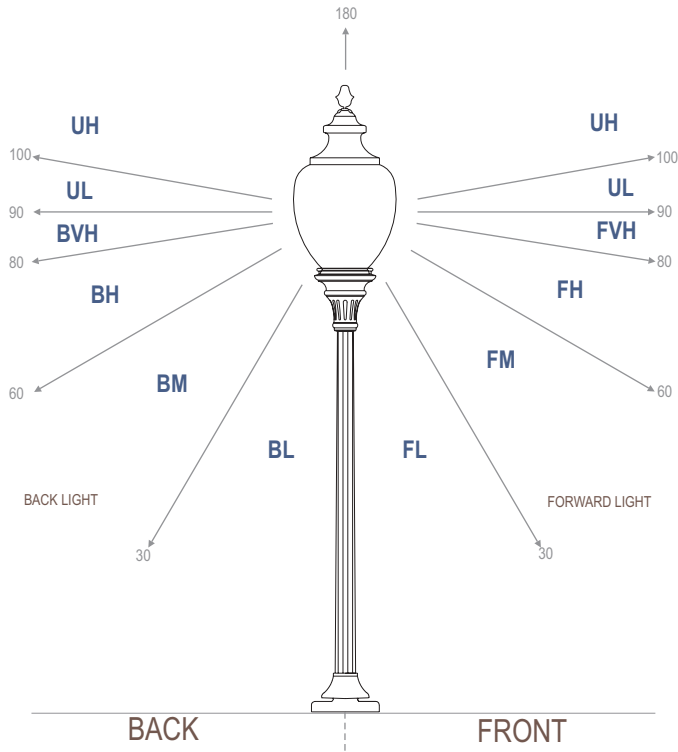
MAXIMUM PLANE AND CONE PLOTS OF CANDELA





FLUX DISTRIBUTION TABLE BASED ON THE IESNA LUMINAIRE CLASSIFICATION SYSTEM

FLUX



ZONE	LUMINAIRE LUMENS	% OF LAMP LUMENS
FORWARD LIGHT	1288	20.4
FL (0°-30°)	37	0.6
FM (30°-60°)	477	7.6
FH (60°-80°)	496	7.9
FVH (80°-90°)	277	4.4

BACK LIGHT	1288	20.4
BL (0°-30°)	37	0.6
BM (30°-60°)	477	7.6
BH (60°-80°)	496	7.9
BVH (80°-90°)	277	4.4

UPLIGHT	1771	28.1
UL (90°-100°)	551	8.8
UH (100°-180°)	1220	19.4

TRAPPED LIGHT	1953	31
---------------	------	----

