

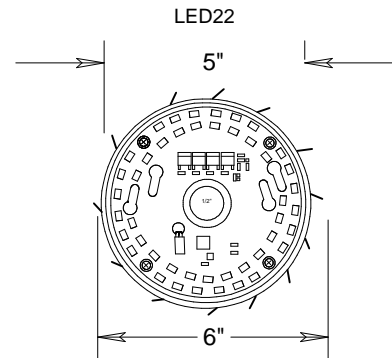
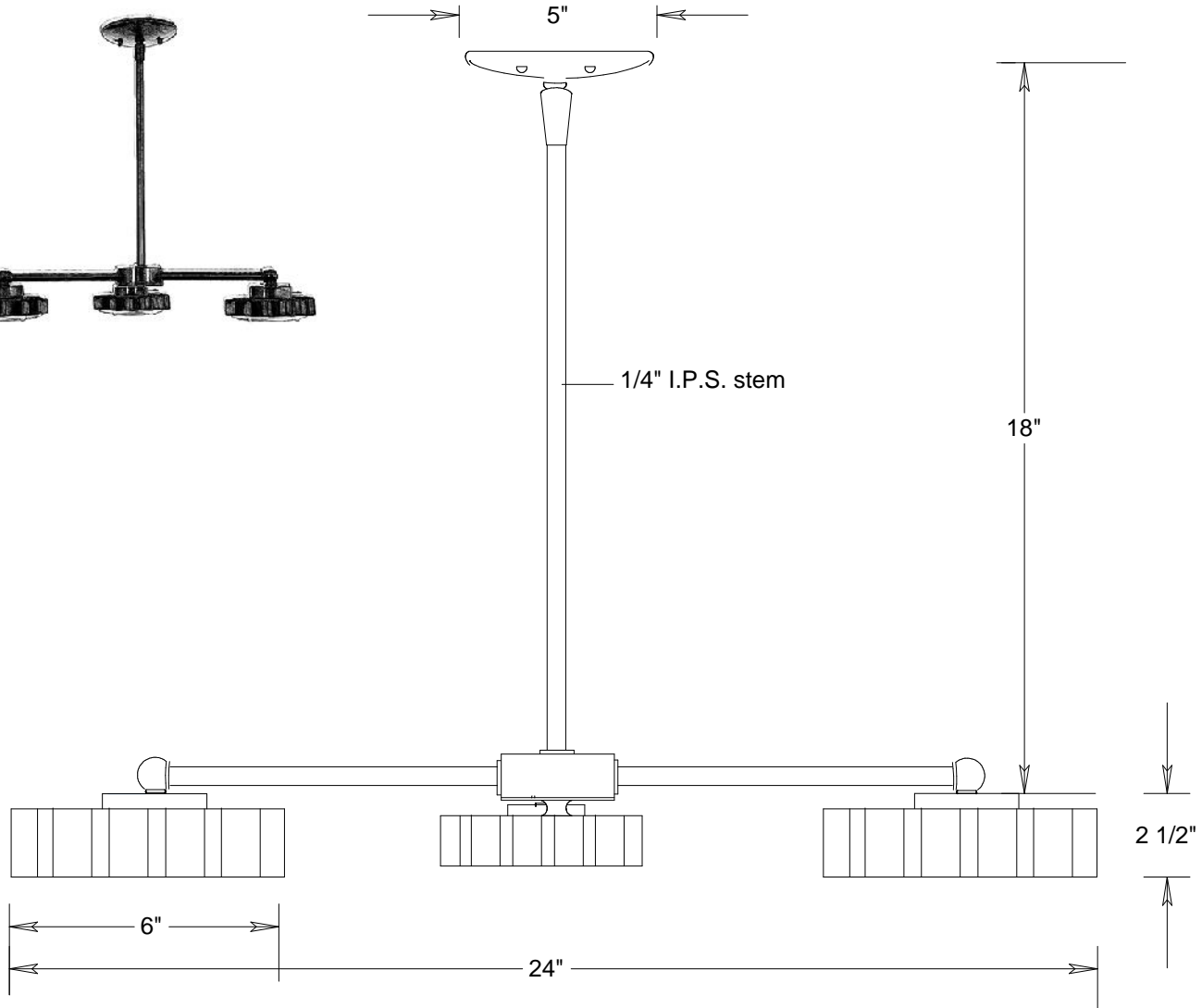


Primelite Manufacturing Corp

407 S Main St, Freeport, NY 11520

Phone: 516-868-4411 | Fax: 516-868-4609
 sales@primelite-mfg.com | www.primelite-mfg.com

PART #	LAMP	VOLTAGE	COLOR
JOB NAME			TYPE



Unless Otherwise Specified: Dimensions in Inches Tolerances: Fractional ± Angular: Mach ± Bend ± Two Place Decimal ± Three Place Decimal ±	Name		Date	Pendant #913S LED66 "Spider Series" 3 x LED22 Lamps	Revisions				
	Drawn	iv	12/05/17		Zone	Rev	Description	Date	Approved
	Checked								
	ENG Appr.				Size	Drawing No.	Rev		
	MFR Appr.				A	0001	A		
Construction: Aluminum, acrylic	QA			Scale	CAD File	Sheet	1 of 1		
Lamp: LED	Comments								