

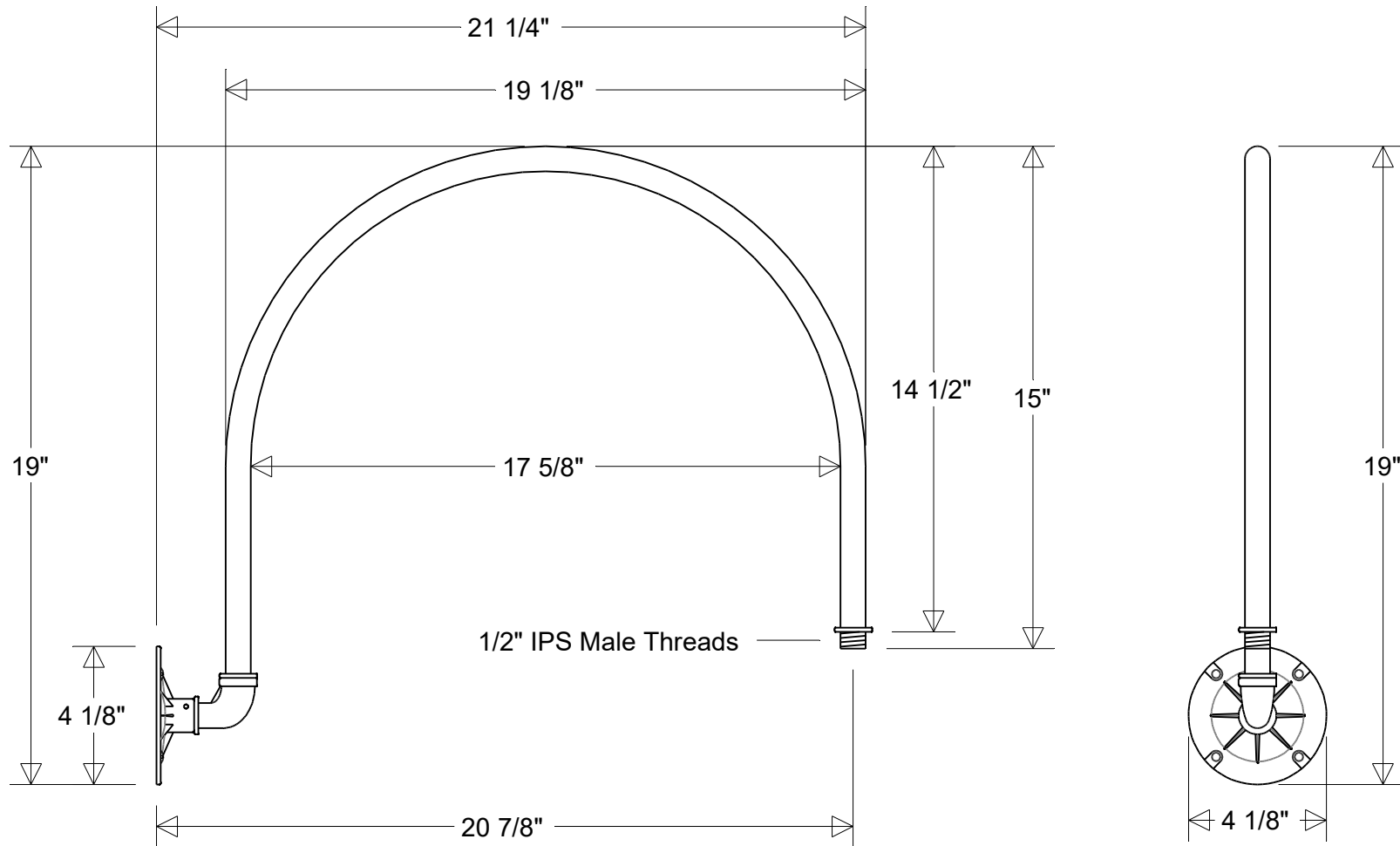


Primelite Manufacturing Corp.

407 S Main St, Freeport, NY 11520
 Phone: (516) 868-4411 | Fax: (516) 868-4609
 sales@primelite-mfg.com | www.primelite-mfg.com

PROUDLY MADE IN THE USA SINCE 1962!
"SPECIALTIES ARE OUR SPECIALTY!"

Job Info



#852 W

21 1/4" Ext | 19" H | 14 1/2" Drop | 1/2" IPS
 Compatible with "A" series shades

Lamp: N/A	Finish:	Drawn:	Scale:	Approvals	
	29 Oven Baked Powder Coated Paints	CB 03/2026	1/5		
	Material:	Note:			
	Aluminum	All dimensions are nominal. Actual dimensions may vary.			