

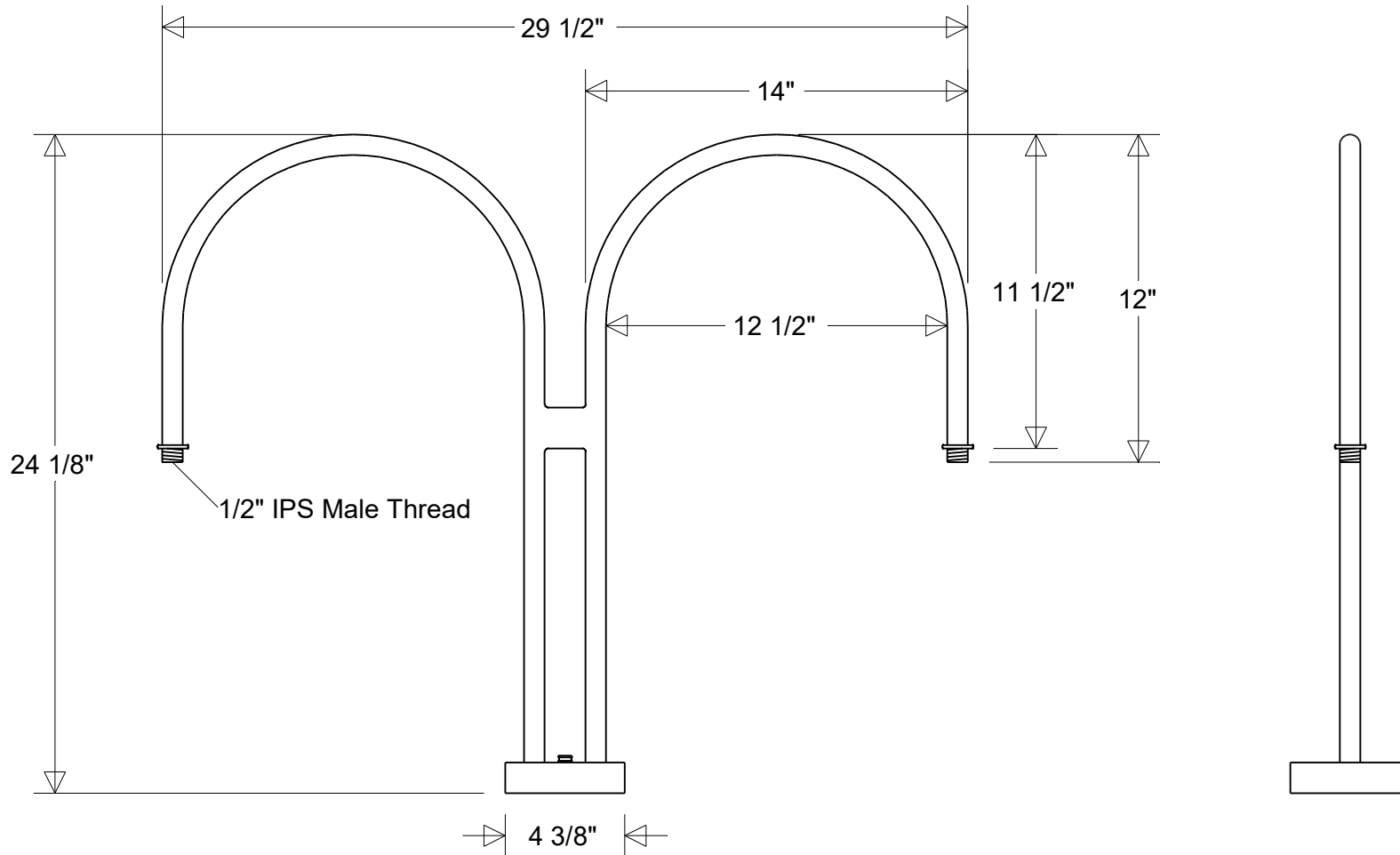


# Primelite Manufacturing Corp.

407 S Main St, Freeport, NY 11520  
 Phone: (516) 868-4411 | Fax: (516) 868-4609  
 sales@primelite-mfg.com | www.primelite-mfg.com

**PROUDLY MADE IN THE USA SINCE 1962!**  
**"SPECIALTIES ARE OUR SPECIALTY!"**

Job Info



**#852/2**

Lamp: N/A	Finish: 29 Oven Baked Powder Coated Paints	Drawn: CB 04/2025	Scale: 1 / 6.25	Approvals	
Voltage: N/A	Material: Aluminum	Note: All dimensions are nominal. Actual dimensions may vary.			

29 1/2" W | 24 1/8" H | 4 3/8" Canopy | 1/2" IPS  
 Compatible with "A" series shades