

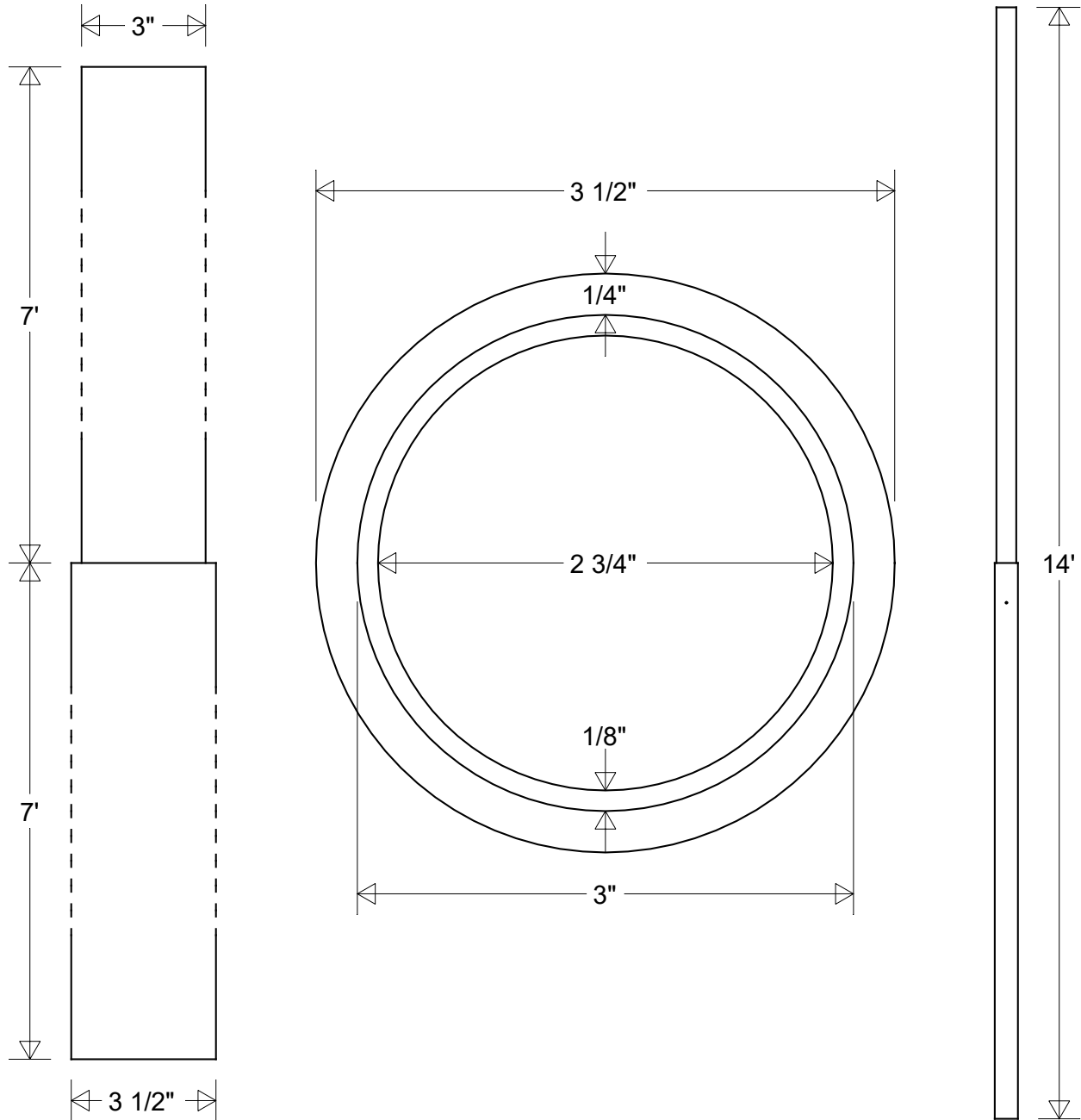


# Primelite Manufacturing Corp

407 S Main St, Freeport, NY 11520

Phone: 516-868-4411 | Fax: 516-868-4609  
 sales@primelite-mfg.com | www.primelite-mfg.com

|                 |             |                |                              |
|-----------------|-------------|----------------|------------------------------|
| PART #<br>#6334 | LAMP<br>N/A | VOLTAGE<br>N/A | COLOR<br>Powder Coated Paint |
| JOB NAME        |             |                | TYPE<br>Telescopic Post      |



|   |           |      |              |   |               |      |           |             |      |      |
|---|-----------|------|--------------|---|---------------|------|-----------|-------------|------|------|
| Lamp: N/A   | Initials  | Date | <b>#6334</b> |   |               |      |           |             |      |      |
|   | Drawn     | CB   |              |   |               |      |           | 06/2023     |      |      |
|   | Checked   |      |              | 3 1/2" Dia Base   3" Dia Pole   14' H<br>Heavy Gauge (.125 or 1/8") Top |               |      | Revisions |             |      |      |
| Construction:<br>Aluminum                           | ENG Appr. |      | Size         | Drawing No.   | Rev           | Zone | Rev       | Description | Date | Appr |
|   | MFR Appr. |      | <b>A</b>     | <b>0001</b>   | <b>A</b>      |      |           |             |      |      |
| Unless Otherwise Specified:<br>Dimensions in Inches | QA        |      | Scale        | CAD File  | Sheet         |      |           |             |      |      |
|   | Weight:   |      |              |   | <b>1 of 1</b> |      |           |             |      |      |