

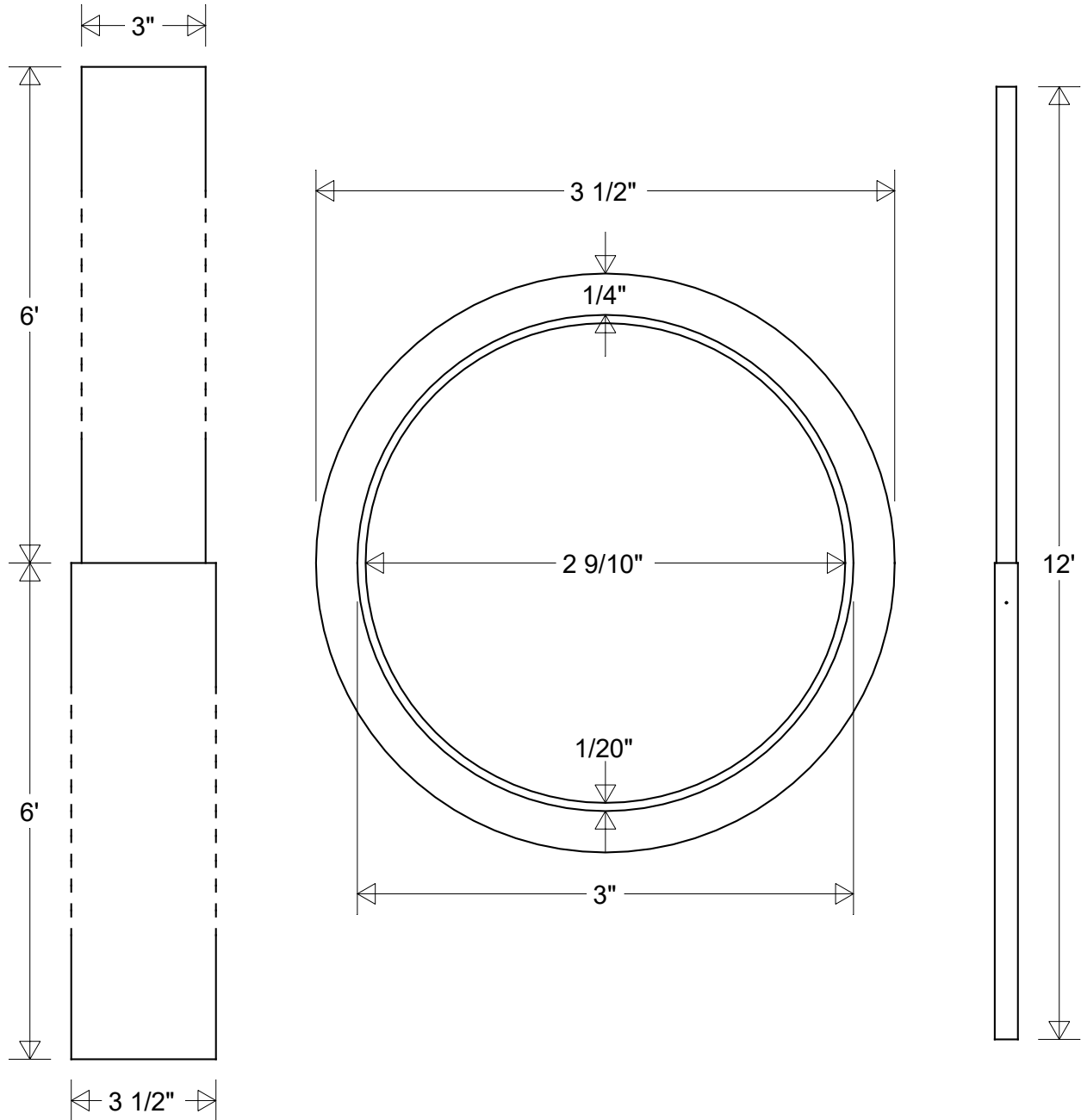


Primelite Manufacturing Corp

407 S Main St, Freeport, NY 11520

Phone: 516-868-4411 | Fax: 516-868-4609
 sales@primelite-mfg.com | www.primelite-mfg.com

PART # #6312	LAMP N/A	VOLTAGE N/A	COLOR Powder Coated Paint
JOB NAME			TYPE Telescopic Post



Lamp: N/A	Initials	Date	#6312								
	Drawn	CB						06/2023			
	Checked			3 1/2" Dia Base 3" Dia Pole 12' H Standard Gauge (.05 or 1/20") Top							
ENG Appr.			Revisions								
Construction: Aluminum	MFR Appr.			Size	Drawing No.	Rev	Zone	Rev	Description	Date	Appr
	QA			A	0001	A					
Unless Otherwise Specified: Dimensions in Inches	Weight:			Scale	CAD File	Sheet					
						1 of 1					