



Primelite Manufacturing Corp

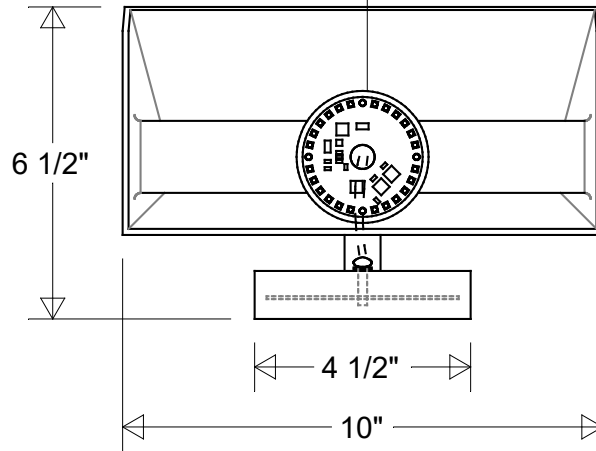
407 S Main St, Freeport, NY 11520

Phone: 516-868-4411 | Fax: 516-868-4609
 sales@primelite-mfg.com | www.primelite-mfg.com

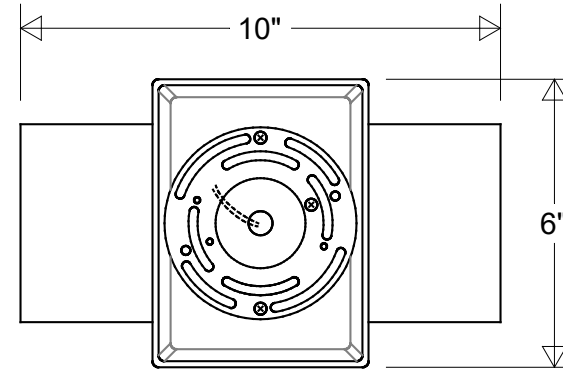
| | | | |
|----------------|----------------------|------------------|------------------------------|
| PART # #620 | LAMP Built-In LED | VOLTAGE 120 V | COLOR Powder Coated Paint |
| JOB NAME | | | TYPE Wall Sconce |

LED 12 Array & Heat Sink

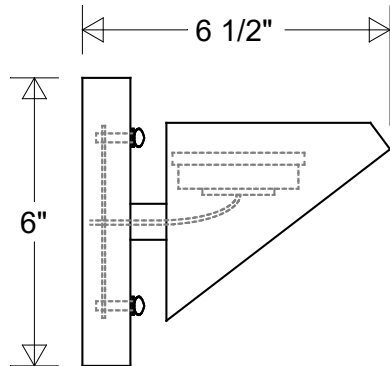
INSIDE VIEW



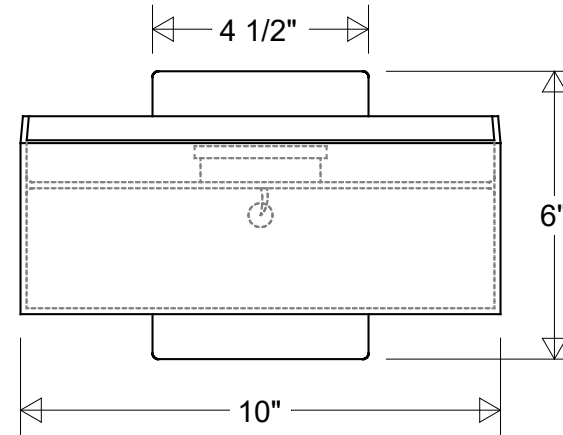
BACK VIEW



SIDE VIEW



FRONT VIEW



Lamp: LED 12 Array
 60 W Inc Equivalent
 3K or 4K = 800 Lumens



| Name | Date |
|-----------|---------|
| Drawn CB | 10/2021 |
| Checked | |
| ENG Appr. | |
| MFR Appr. | |
| QA | |

Wall Sconce #620 LED 12

10" W | 6" H | 6 1/2" Ext

| Size | Drawing No. | Rev |
|------|-------------|-----|
| A | 0001 | A |

Construction: Aluminum
 Unless Otherwise Specified:
 Dimensions in Inches

| Weight | Scale | CAD File | Sheet |
|--------|-------|----------|--------|
| | | | 1 of 1 |

| Revisions | | | | |
|-----------|-----|-------------|------|----------|
| Zone | Rev | Description | Date | Approved |
| | | | | |
| | | | | |
| | | | | |