

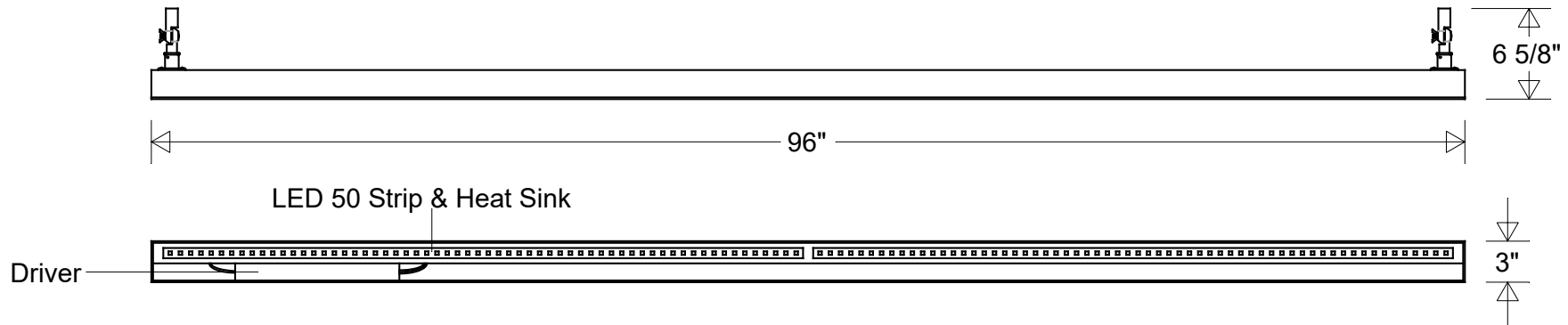
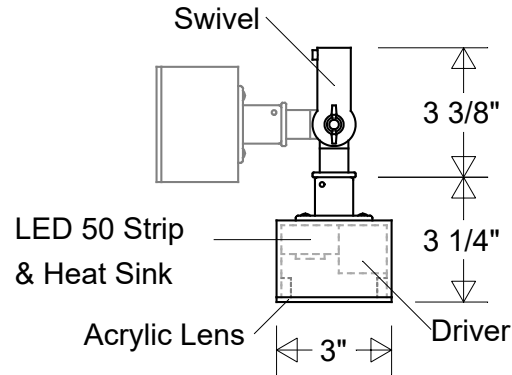


# Primelite Manufacturing Corp

407 S Main St, Freeport, NY 11520

Phone: 516-868-4411 | Fax: 516-868-4609  
 sales@primelite-mfg.com | www.primelite-mfg.com

PART # #5751A ESW LED 50	LAMP Built-In LED	VOLTAGE 120 - 277 V	COLOR Powder Coated Paint
JOB NAME			TYPE Linear Sign Light



<b>Lamp: LED 50 Strip</b> 35K = 7795 Lumens 5K = 7795 Lumens  	Initials	Date	<b>#5751A ESW LED 50</b>			
	Drawn	CB				12/2023
	Checked			96" L   3" W   6 5/8" H   93" Center to Center Mount Acrylic Lens: White (-3)   Clear (-4)   Frosted (-5)		
	ENG Appr.					
Construction: Aluminum   Acrylic	MFR Appr.		Size	Drawing No.	Rev	
	QA		<b>A</b>	<b>0001</b>	<b>A</b>	
Unless Otherwise Specified: Dimensions in Inches	Weight:		Scale	CAD File	Sheet	
					<b>1 of 1</b>	

Revisions				
Zone	Rev	Description	Date	Appr