

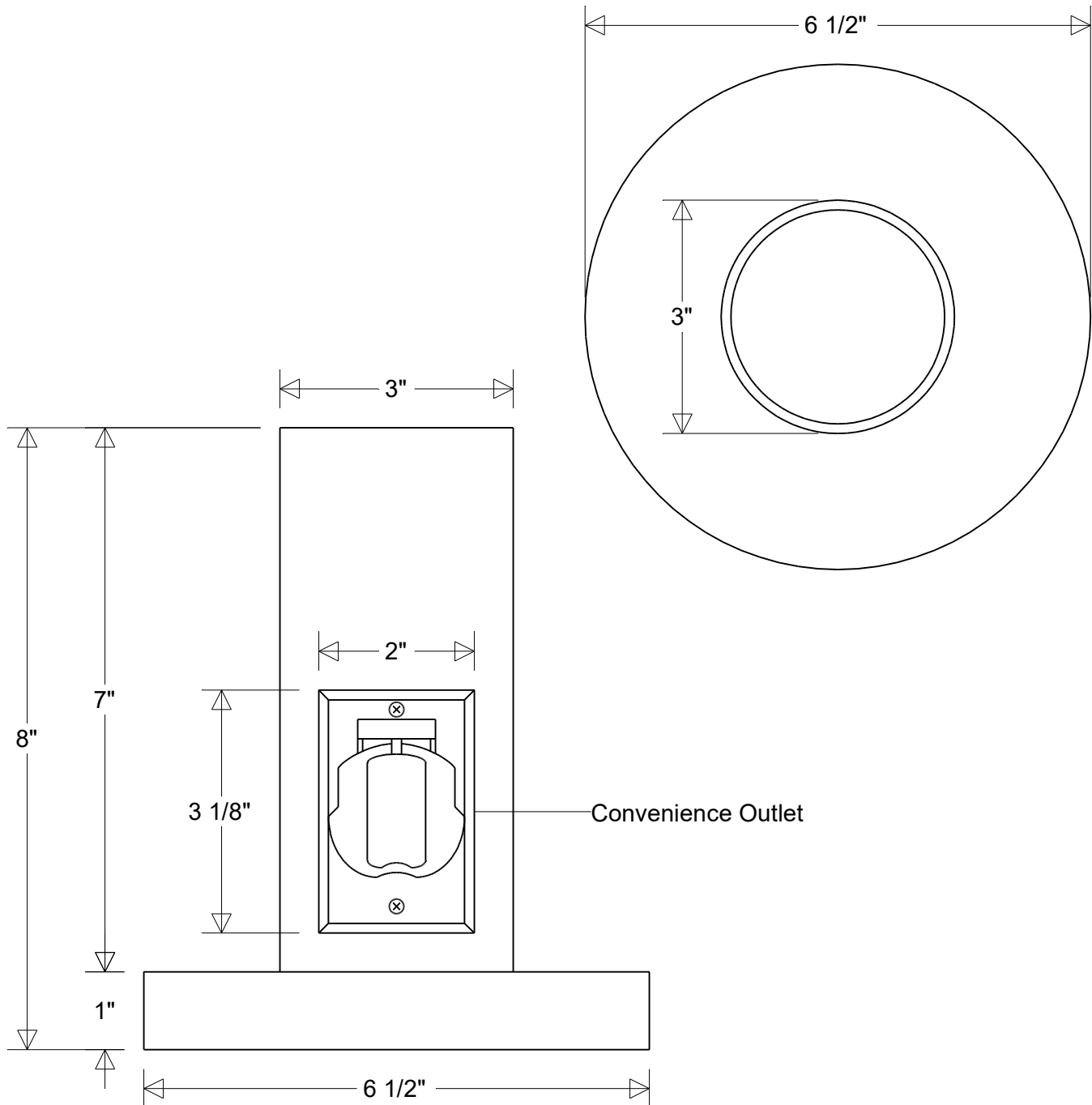


Primelite Manufacturing Corp.

407 S Main St, Freeport, NY 11520
 Phone: (516) 868-4411 | Fax: (516) 868-4609
 sales@primelite-mfg.com | www.primelite-mfg.com

PROUDLY MADE IN THE USA SINCE 1962!
"SPECIALTIES ARE OUR SPECIALTY!"

Job Info



#5 CO

6 1/2" Dia | 8" H
 Fits 3" Post Lights

Lamp: N/A	Finish:	29 Oven Baked	Drawn:	CB	Scale:	1/2	Approvals	
		Powder Coated Paints		06/2026				
	Material:	Aluminum	Note:	All dimensions are nominal. Actual dimensions may vary.				