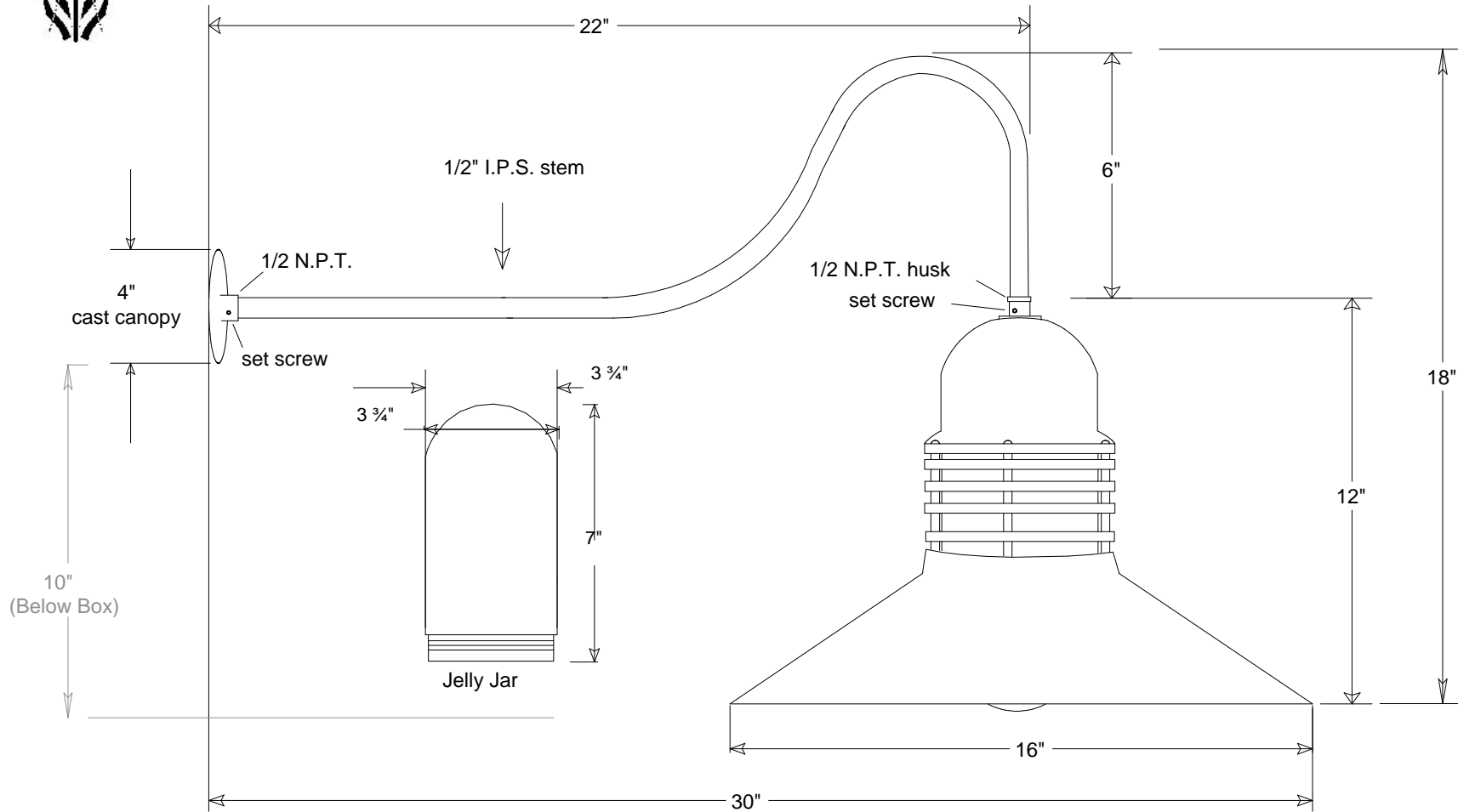




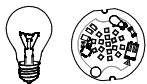
Primelite Manufacturing Corp

407 S Main St, Freeport, NY 11520
 Phone: 516-868-4411 | Fax: 516-868-4609
 sales@primelite-mfg.com | www.primelite-mfg.com

PART # #427/16-4-850	LAMP LED12	VOLTAGE 120V	COLOR Powder Coated Paint
JOB NAME			TYPE Gooseneck



Lamp: Incandescent | LED



1/100A | LED12

Construction: Aluminum, Glass

Unless Otherwise Specified:
 Dimensions in Inches

Name	Date	Gooseneck #427/16-4-850		
Drawn	lv	16" Shade 22" Arm 10" Below Box		
Checked		Glass Jelly Jar		
ENG Appr.		Size	Drawing No.	Rev
MFR Appr.		A	0001	A
QA		Scale	CAD File	Sheet
Comments				1 of 1

Revisions				
Zone	Rev	Description	Date	Approved

