

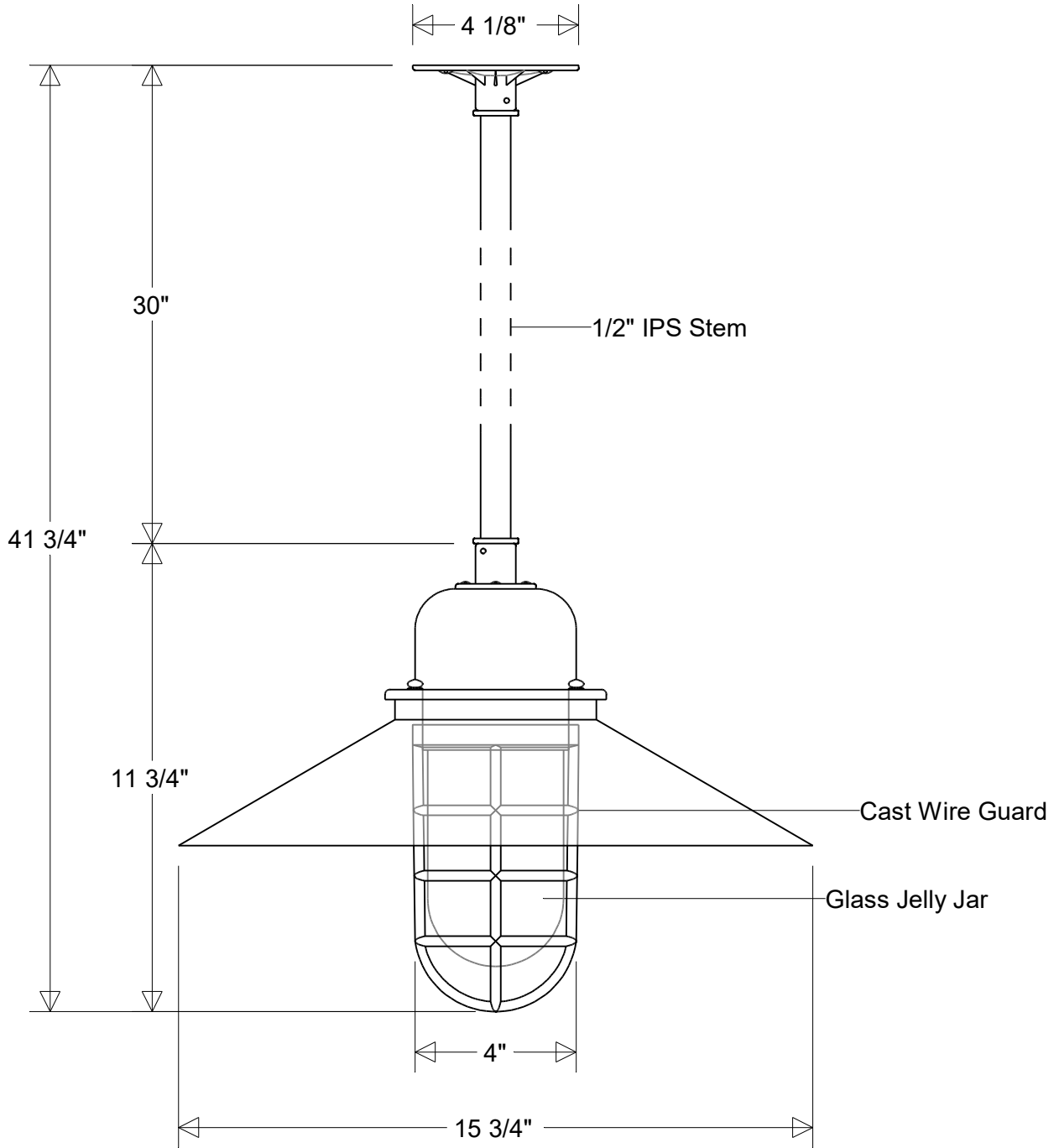


# Primelite Manufacturing Corp.

407 S Main St, Freeport, NY 11520  
 Phone: (516) 868-4411 | Fax: (516) 868-4609  
 sales@primelite-mfg.com | www.primelite-mfg.com

**PROUDLY MADE IN THE USA SINCE 1962!**  
**"SPECIALTIES ARE OUR SPECIALTY!"**

Job Info



## #423/16-\*-WG-18-30 Series

15 3/4" Dia | 41 3/4" H | 30" X 1/2" IPS Stem  
 Jelly Jar: Clear (\*4) | Prismatic (\*4P) | Frost (\*5)

Lamp Options:  
 E26 Socket  
 LED12

Finish:  
 29 Oven Baked  
 Powder Coated Paints

Material:  
 Aluminum  
 Glass Jelly Jar

Drawn:  
 CB  
 06/2026

Note:  
 All dimensions are nominal.  
 Actual dimensions may vary.

Scale:  
 1/4

Approvals

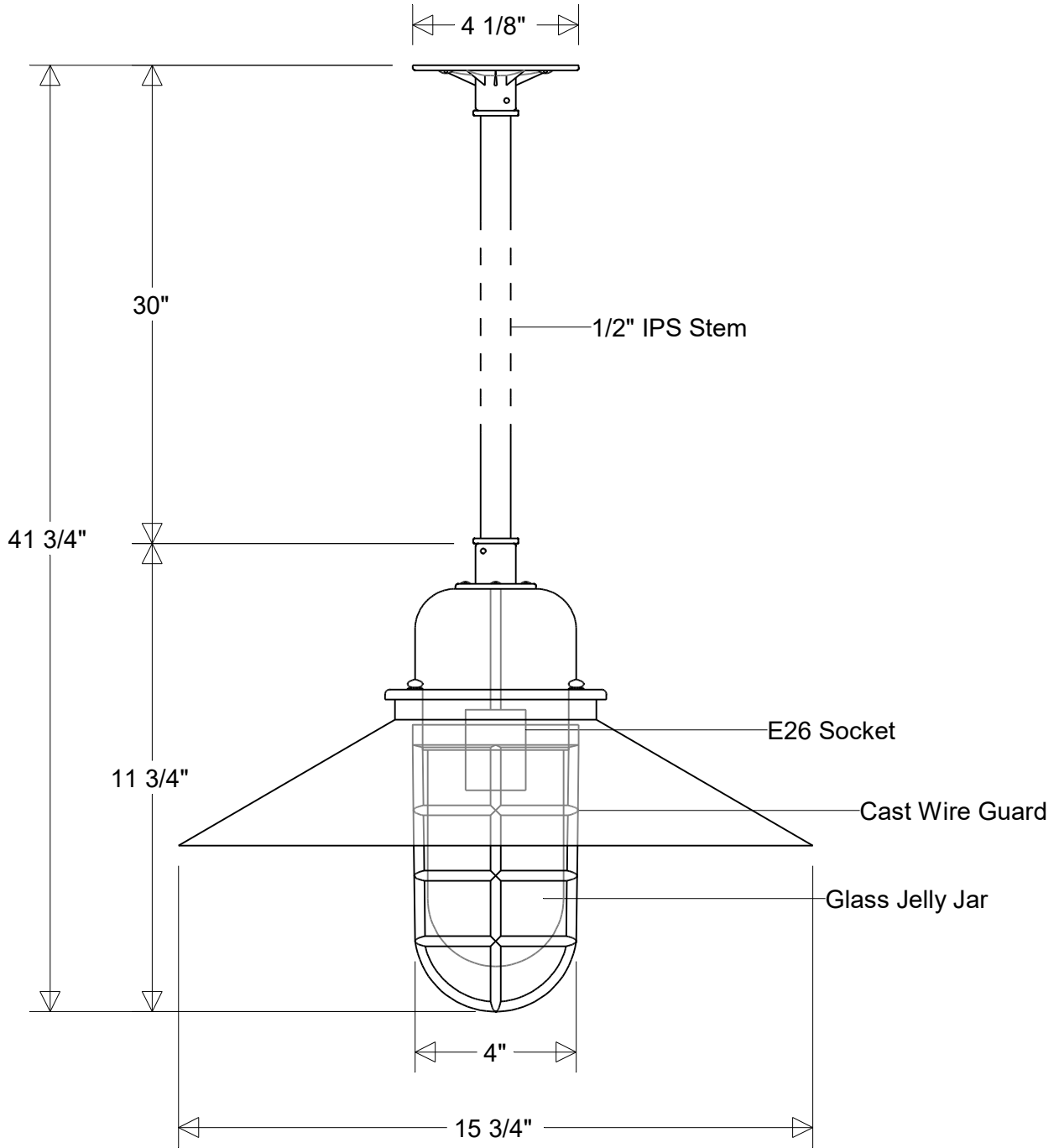


# Primelite Manufacturing Corp.

407 S Main St, Freeport, NY 11520  
 Phone: (516) 868-4411 | Fax: (516) 868-4609  
 sales@primelite-mfg.com | www.primelite-mfg.com

**PROUDLY MADE IN THE USA SINCE 1962!**  
**"SPECIALTIES ARE OUR SPECIALTY!"**

Job Info



## #423/16-\*-WG-18-30

15 3/4" Dia | 41 3/4" H | 30" X 1/2" IPS Stem  
 Jelly Jar: Clear (\*4) | Prismatic (\*4P) | Frost (\*5)

Lamp: E26 Socket

Max Wattage: 100 W

Number of Sockets: 1

120 V

Finish:

29 Oven Baked

Powder Coated Paints

Material:

Aluminum

Glass Jelly Jar

Drawn:

CB

06/2026

Scale:

1/4

Note:

All dimensions are nominal.

Actual dimensions may vary.

Approvals

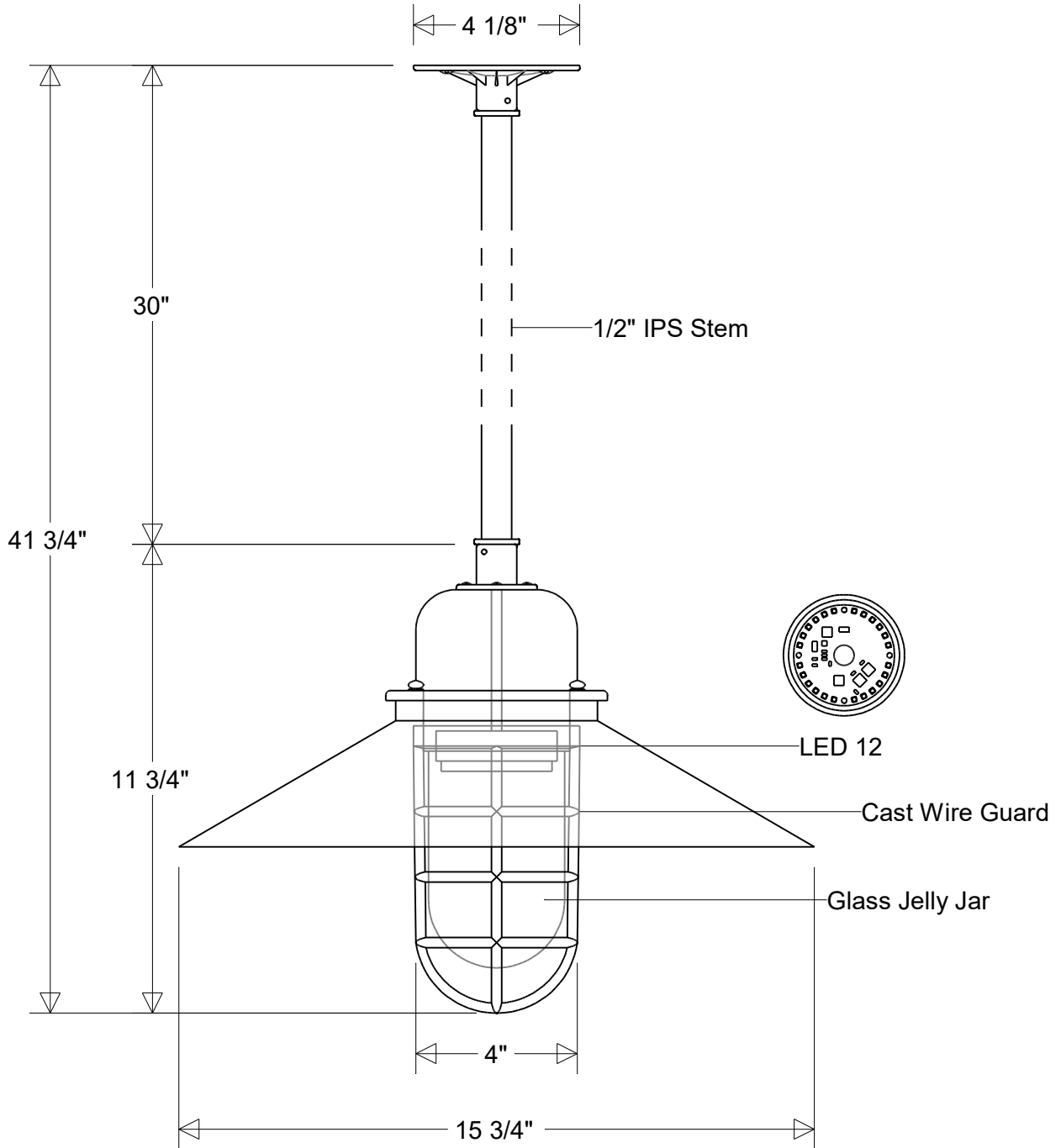


# Primelite Manufacturing Corp.

407 S Main St, Freeport, NY 11520  
 Phone: (516) 868-4411 | Fax: (516) 868-4609  
 sales@primelite-mfg.com | www.primelite-mfg.com

**PROUDLY MADE IN THE USA SINCE 1962!**  
**"SPECIALTIES ARE OUR SPECIALTY!"**

Job Info



## #423/16-\*-WG-18-30 LED 12

15 3/4" Dia | 41 3/4" H | 30" X 1/2" IPS Stem  
 Jelly Jar: Clear (\*4) | Prismatic (\*4P) | Frost (\*5)

**Lamp:** 12 W LED  
 CCT: 3K or 4K  
 75W Inc Equivalent  
 80 CRI  
 120V  
 Electronic Dimming

**Finish:**  
 29 Oven Baked  
 Powder Coated Paints  
**Material:**  
 Aluminum  
 Glass Jelly Jar

**Drawn:**  
 CB  
 06/2026  
**Note:**  
 All dimensions are nominal.  
 Actual dimensions may vary.

**Scale:**  
 1/4

Approvals