

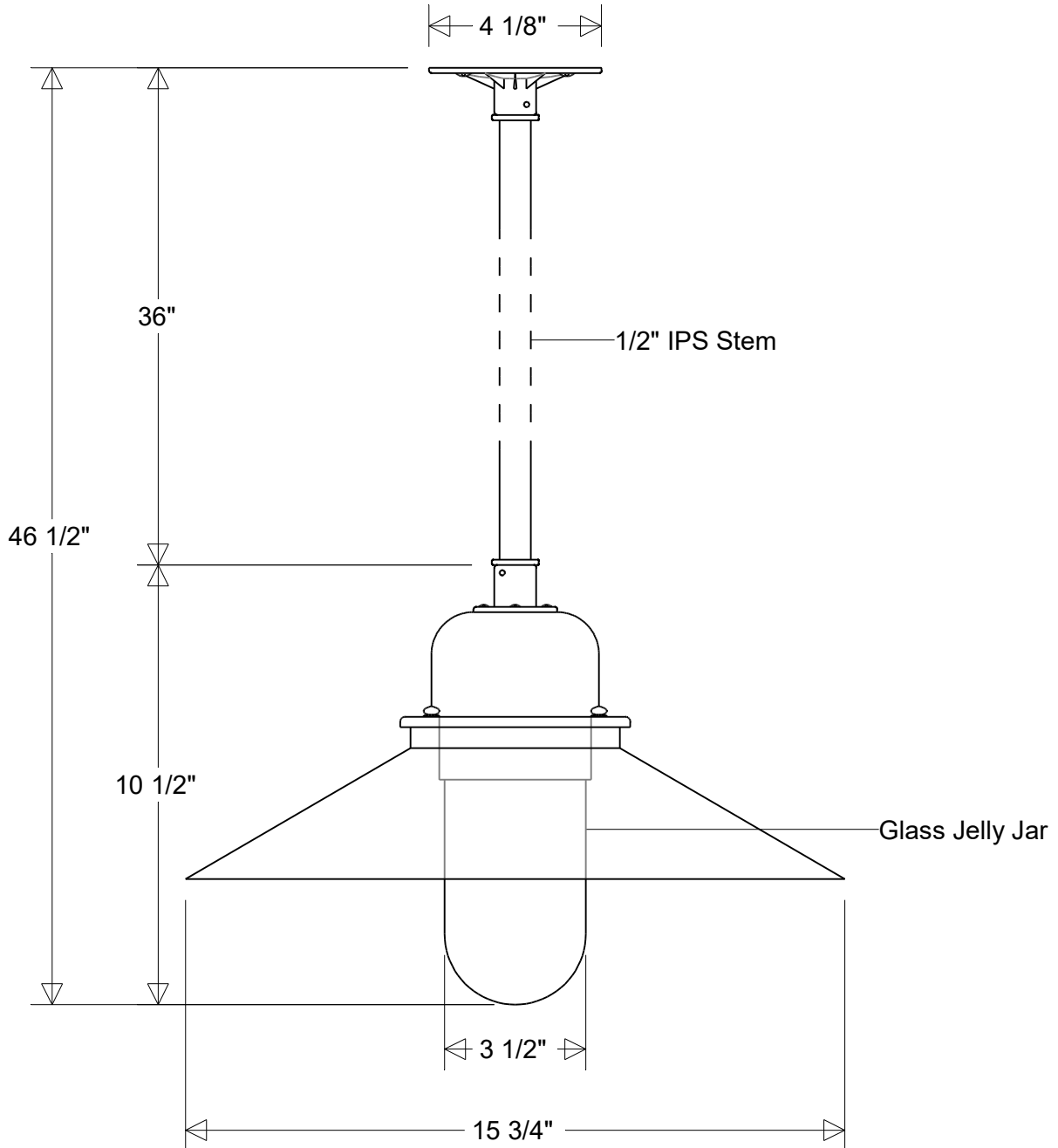


# Primelite Manufacturing Corp.

407 S Main St, Freeport, NY 11520  
 Phone: (516) 868-4411 | Fax: (516) 868-4609  
 sales@primelite-mfg.com | www.primelite-mfg.com

**PROUDLY MADE IN THE USA SINCE 1962!**  
**"SPECIALTIES ARE OUR SPECIALTY!"**

Job Info



## #423/16-\*-18-36 Series

15 3/4" Dia | 46 1/2" H | 36" X 1/2" IPS Stem  
 Jelly Jar: Clear (\*4) | Prismatic (\*4P) | Frost (\*5)

**Lamp Options:**

E26 Socket  
 LED12

**Finish:**

29 Oven Baked  
 Powder Coated Paints

**Material:**

Aluminum  
 Glass Jelly Jar

**Drawn:**

CB  
 06/2026

**Note:**

All dimensions are nominal.  
 Actual dimensions may vary.

**Scale:**

1/4

**Approvals**

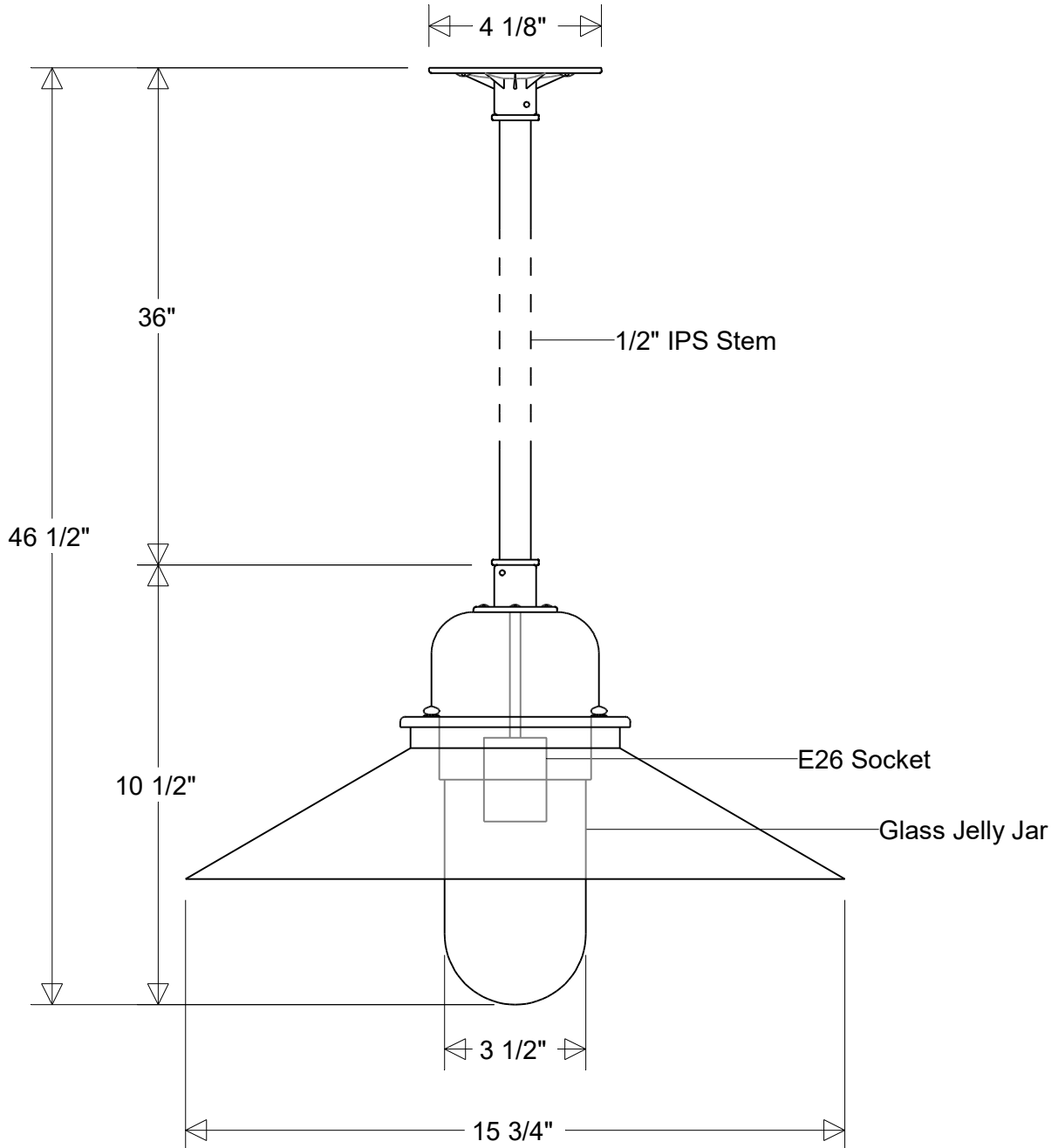



# Primelite Manufacturing Corp.

407 S Main St, Freeport, NY 11520  
 Phone: (516) 868-4411 | Fax: (516) 868-4609  
 sales@primelite-mfg.com | www.primelite-mfg.com

**PROUDLY MADE IN THE USA SINCE 1962!**  
**"SPECIALTIES ARE OUR SPECIALTY!"**

Job Info



## #423/16-\* -18-36

15 3/4" Dia | 46 1/2" H | 36" X 1/2" IPS Stem  
 Jelly Jar: Clear (\*4) | Prismatic (\*4P) | Frost (\*5)

Lamp: E26 Socket

Max Wattage: 100 W

Number of Sockets: 1

120 V

Finish:

29 Oven Baked

Powder Coated Paints

Material:

Aluminum

Glass Jelly Jar

Drawn:

CB

06/2026

Note:

All dimensions are nominal.

Actual dimensions may vary.

Scale:

1/4

Approvals

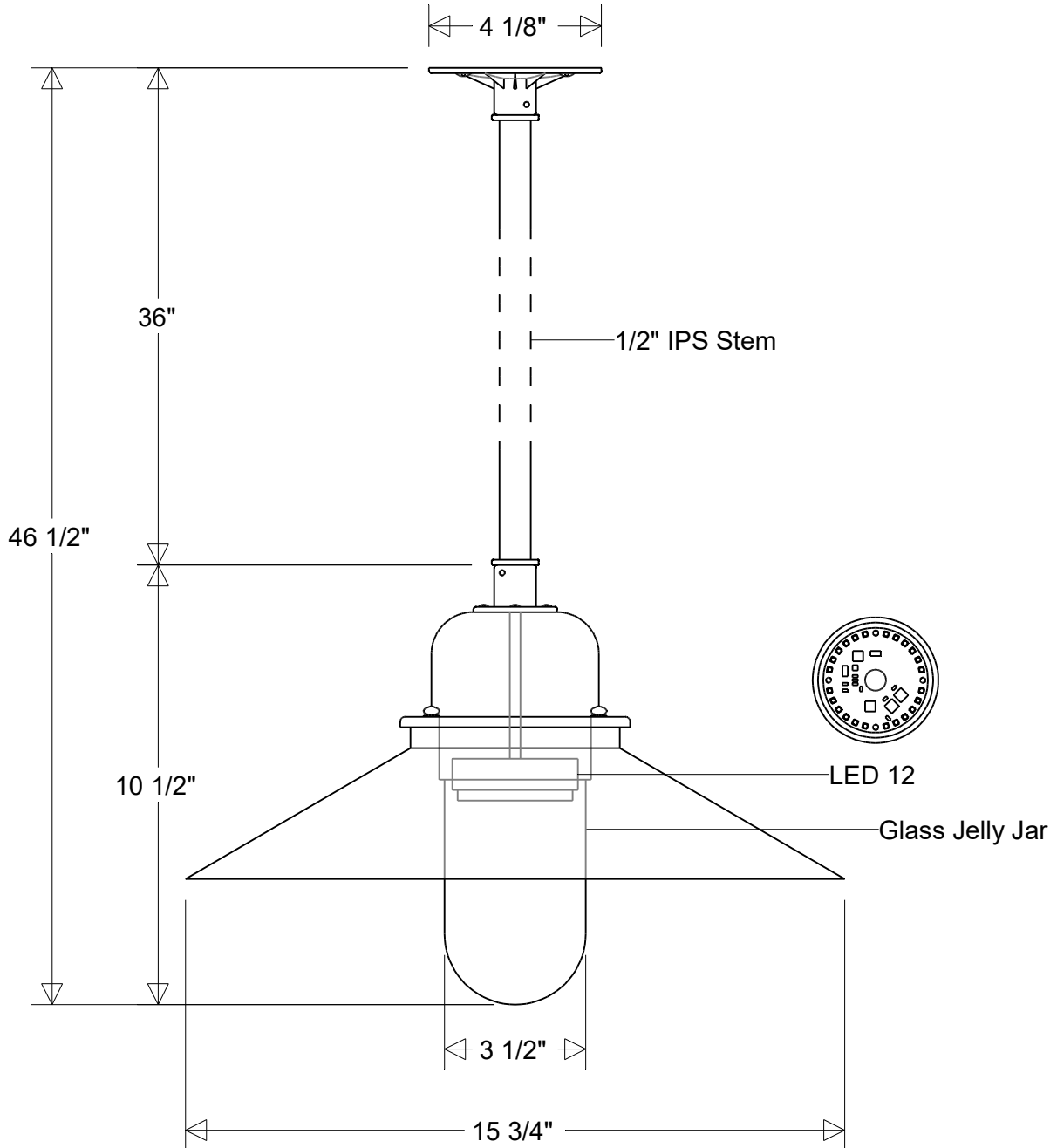


# Primelite Manufacturing Corp.

407 S Main St, Freeport, NY 11520  
 Phone: (516) 868-4411 | Fax: (516) 868-4609  
 sales@primelite-mfg.com | www.primelite-mfg.com

**PROUDLY MADE IN THE USA SINCE 1962!**  
**"SPECIALTIES ARE OUR SPECIALTY!"**

Job Info



## #423/16-\*-18-36 LED 12

15 3/4" Dia | 46 1/2" H | 36" X 1/2" IPS Stem  
 Jelly Jar: Clear (\*4) | Prismatic (\*4P) | Frost (\*5)

**Lamp: 12 W LED**  
 CCT: 3K or 4K  
 75W Inc Equivalent  
 80 CRI  
 120V  
 Electronic Dimming

**Finish:**  
 29 Oven Baked  
 Powder Coated Paints  
**Material:**  
 Aluminum  
 Glass Jelly Jar

**Drawn:**  
 CB  
 06/2026  
**Note:**  
 All dimensions are nominal.  
 Actual dimensions may vary.

**Scale:**  
 1/4

Approvals