

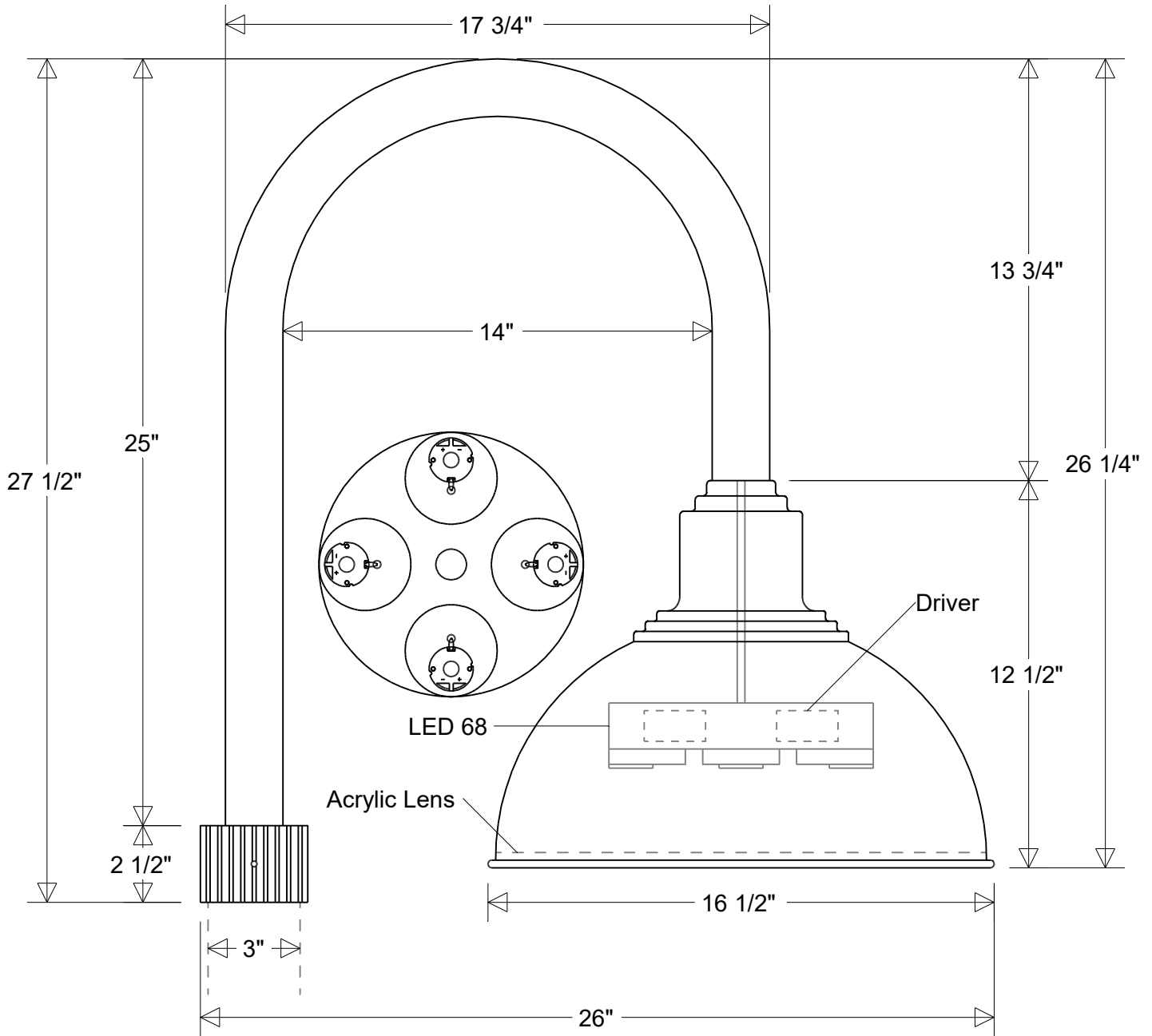


# Primelite Manufacturing Corp.

407 S Main St, Freeport, NY 11520  
 Phone: (516) 868-4411 | Fax: (516) 868-4609  
 sales@primelite-mfg.com | www.primelite-mfg.com

**PROUDLY MADE IN THE USA SINCE 1962!**  
**"SPECIALTIES ARE OUR SPECIALTY!"**

Job Info



## #40/16-1962 LED 68

16 1/2" Dia | 27 1/2" H | 26" Ext  
 Fits 3" OD Round Heavy Gauge Poles

**Lamp: 68 W LED**  
 12,000 Lumens  
 3K | 4K | Others available

**Voltage:**  
 120-277 V

**Finish:**  
 29 Oven Baked  
 Powder Coated Paints

**Material:**  
 Aluminum  
 Clear Acrylic Lens

**Drawn:**  
 CB  
 04/2025

**Note:**  
 All dimensions are nominal.  
 Actual dimensions may vary.

**Scale:**  
 1/5

Approvals