

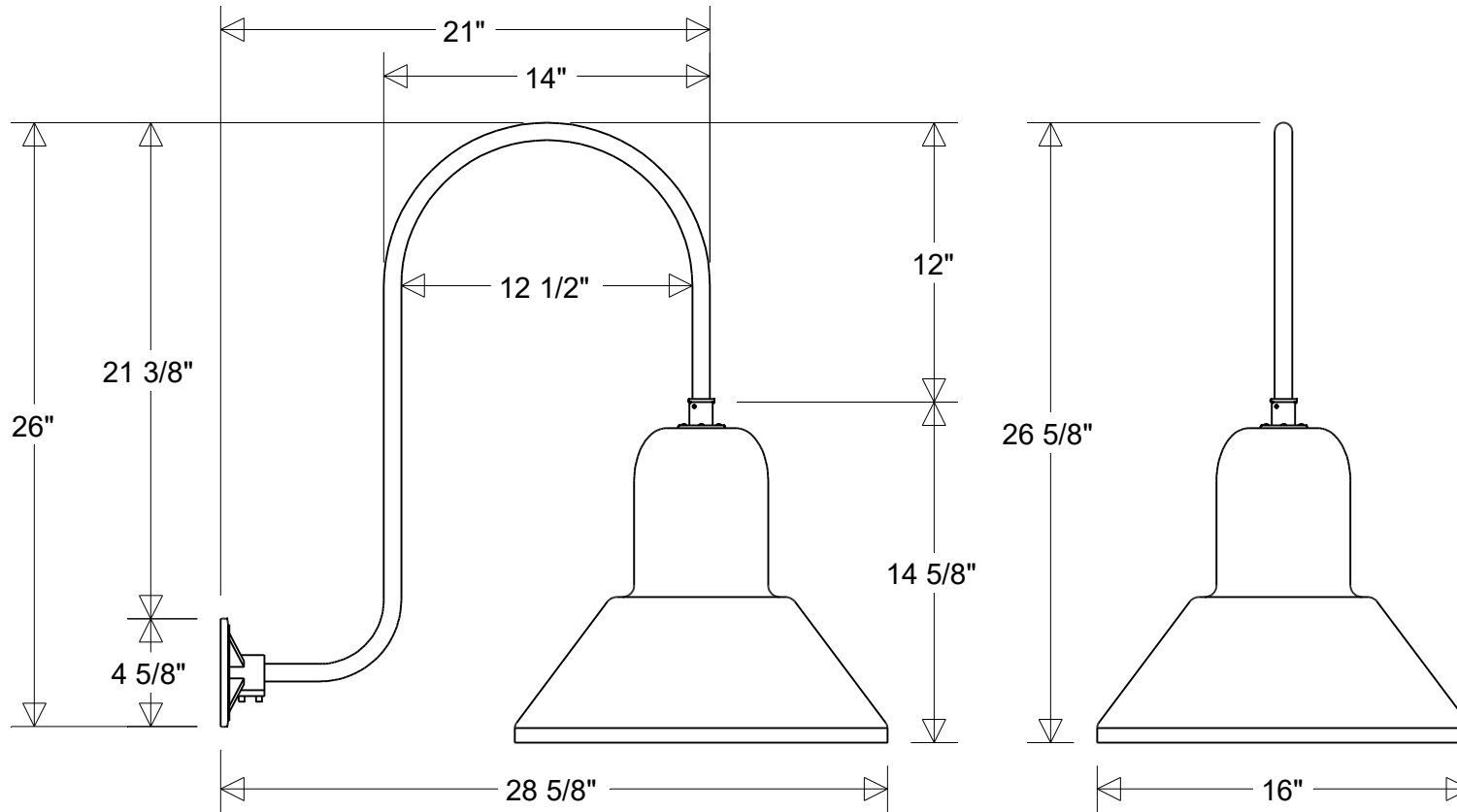


# Primelite Manufacturing Corp.

407 S Main St, Freeport, NY 11520  
 Phone: (516) 868-4411 | Fax: (516) 868-4609  
 sales@primelite-mfg.com | www.primelite-mfg.com

**PROUDLY MADE IN THE USA SINCE 1962!**  
**"SPECIALTIES ARE OUR SPECIALTY!"**

Job Info



## #37/16-874 Series

16" Dia | 28 5/8" Ext | 26 5/8" H  
 Shade: #37/16A | Arm: #874

**Lamp Options:**

E26 Socket  
 LED12 | LED22 | LED48  
 LED25: Dimm | NonDimm  
 LED40: Dimm | NonDimm  
 LED68: Dimm | NonDimm

**Finish:**

29 Oven Baked  
 Powder Coated Paints

**Material:**

Aluminum

**Drawn:**

CB  
 04/2026

**Scale:**

1/8

**Approvals**

**Note:**

All dimensions are nominal.  
 Actual dimensions may vary.

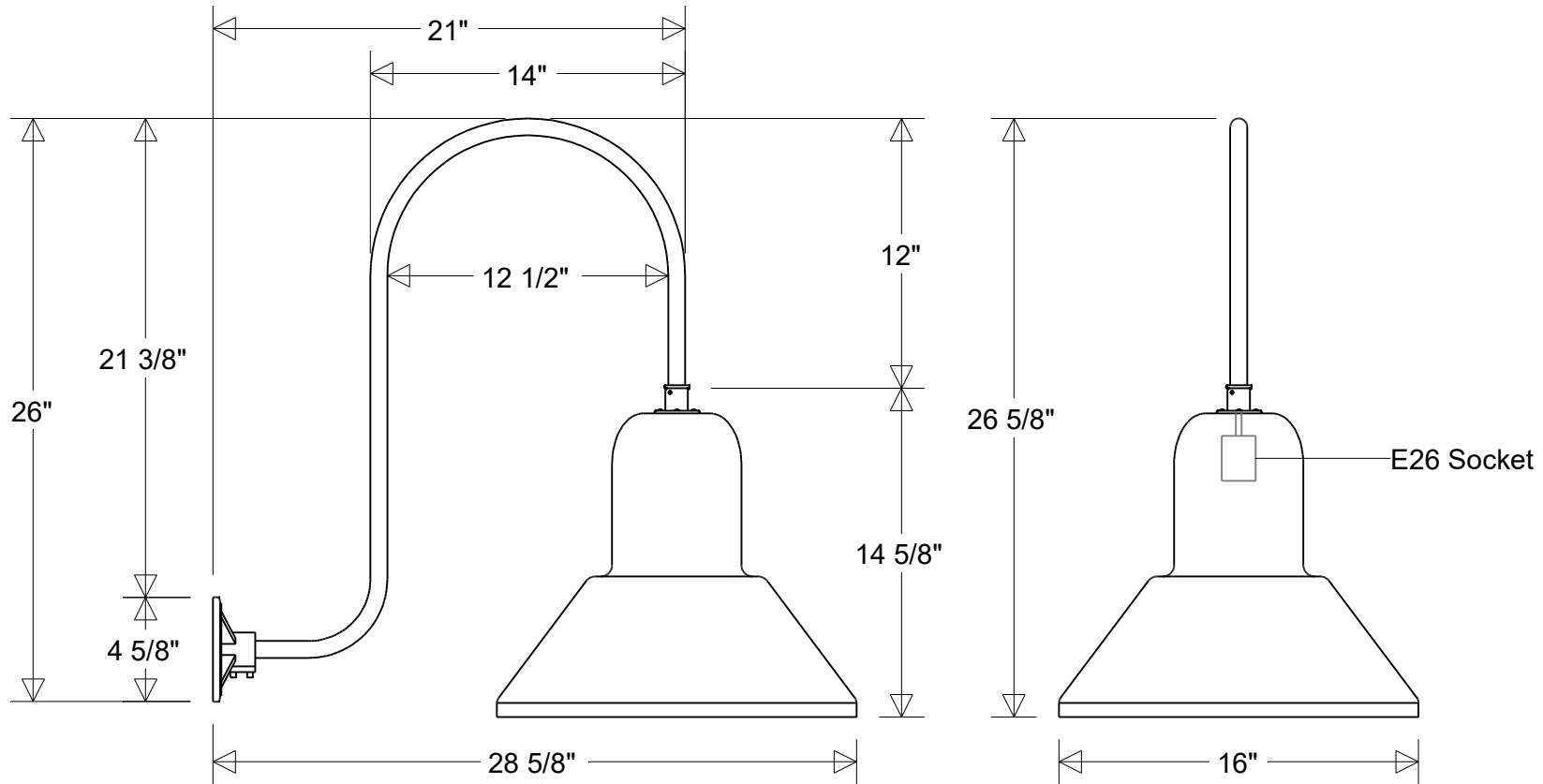


# Primelite Manufacturing Corp.

407 S Main St, Freeport, NY 11520  
 Phone: (516) 868-4411 | Fax: (516) 868-4609  
 sales@primelite-mfg.com | www.primelite-mfg.com

**PROUDLY MADE IN THE USA SINCE 1962!**  
**"SPECIALTIES ARE OUR SPECIALTY!"**

## Job Info



**#37/16-874**

16" Dia | 28 5/8" Ext | 26 5/8" H  
 Shade: #37/16A | Arm: #874

<b>Lamp: E26 Socket</b> Max Wattage: 200 W Number of Sockets: 1 120 V	<b>Finish:</b> 29 Oven Baked Powder Coated Paints	<b>Drawn:</b> CB 04/2026	<b>Scale:</b> 1/8	<b>Approvals</b>   
	<b>Material:</b> Aluminum	<b>Note:</b> All dimensions are nominal. Actual dimensions may vary.		

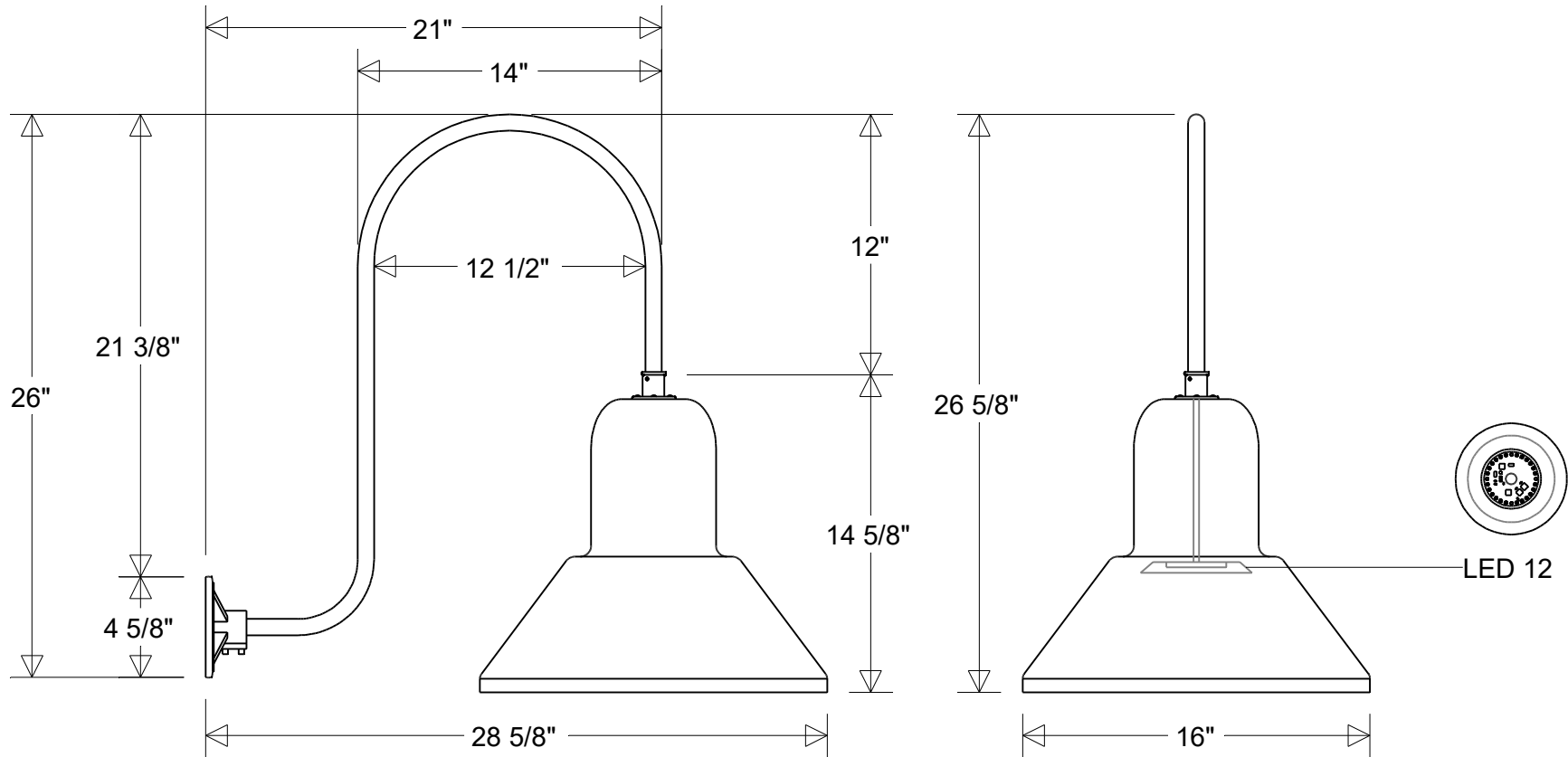


# Primelite Manufacturing Corp.

407 S Main St, Freeport, NY 11520  
 Phone: (516) 868-4411 | Fax: (516) 868-4609  
 sales@primelite-mfg.com | www.primelite-mfg.com

**PROUDLY MADE IN THE USA SINCE 1962!**  
**"SPECIALTIES ARE OUR SPECIALTY!"**

Job Info



## #37/16-874 LED 12

16" Dia | 28 5/8" Ext | 26 5/8" H  
 Shade: #37/16A LED 12 | Arm: #874

**Lamp:** 12 W LED  
 CCT: 3K or 4K  
 75W Inc Equivalent  
 80 CRI  
 120V  
 Electronic Dimming

**Finish:**  
 29 Oven Baked  
 Powder Coated Paints  
**Material:**  
 Aluminum

**Drawn:**  
 CB  
 04/2026

**Scale:**  
 1/8

**Note:**  
 All dimensions are nominal.  
 Actual dimensions may vary.

Approvals

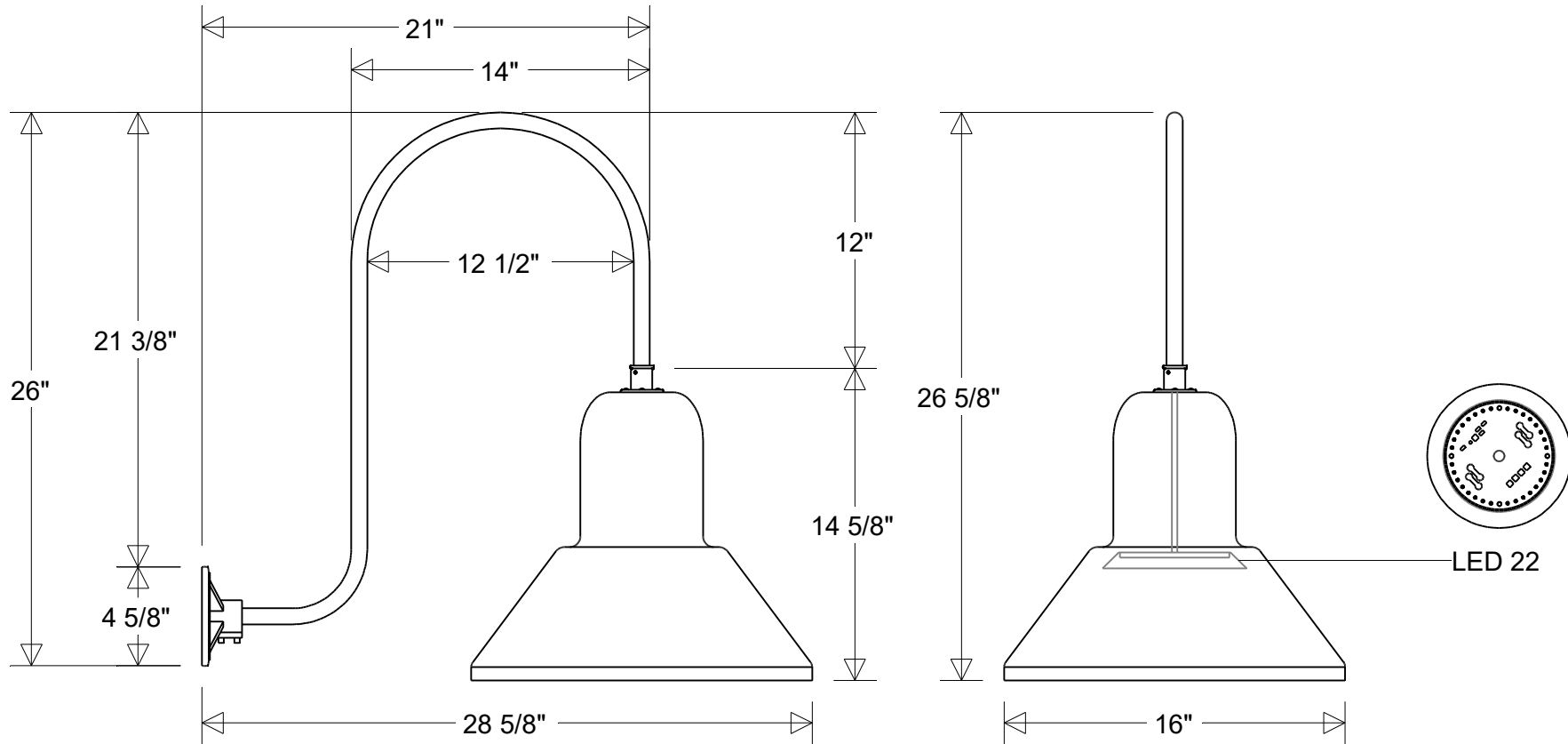



# Primelite Manufacturing Corp.

407 S Main St, Freeport, NY 11520  
 Phone: (516) 868-4411 | Fax: (516) 868-4609  
 sales@primelite-mfg.com | www.primelite-mfg.com

**PROUDLY MADE IN THE USA SINCE 1962!**  
**"SPECIALTIES ARE OUR SPECIALTY!"**

Job Info



## #37/16-874 LED 22

16" Dia | 28 5/8" Ext | 26 5/8" H  
 Shade: #37/16A LED 22 | Arm: #874

**Lamp: 22 W LED**  
 CCT: 3K or 4K  
 125W Inc Equivalent  
 80 CRI  
 120V  
 Electronic Dimming

**Finish:**  
 29 Oven Baked  
 Powder Coated Paints  
**Material:**  
 Aluminum

**Drawn:**  
 CB  
 04/2026

**Scale:**  
 1/8

**Note:**  
 All dimensions are nominal.  
 Actual dimensions may vary.

Approvals

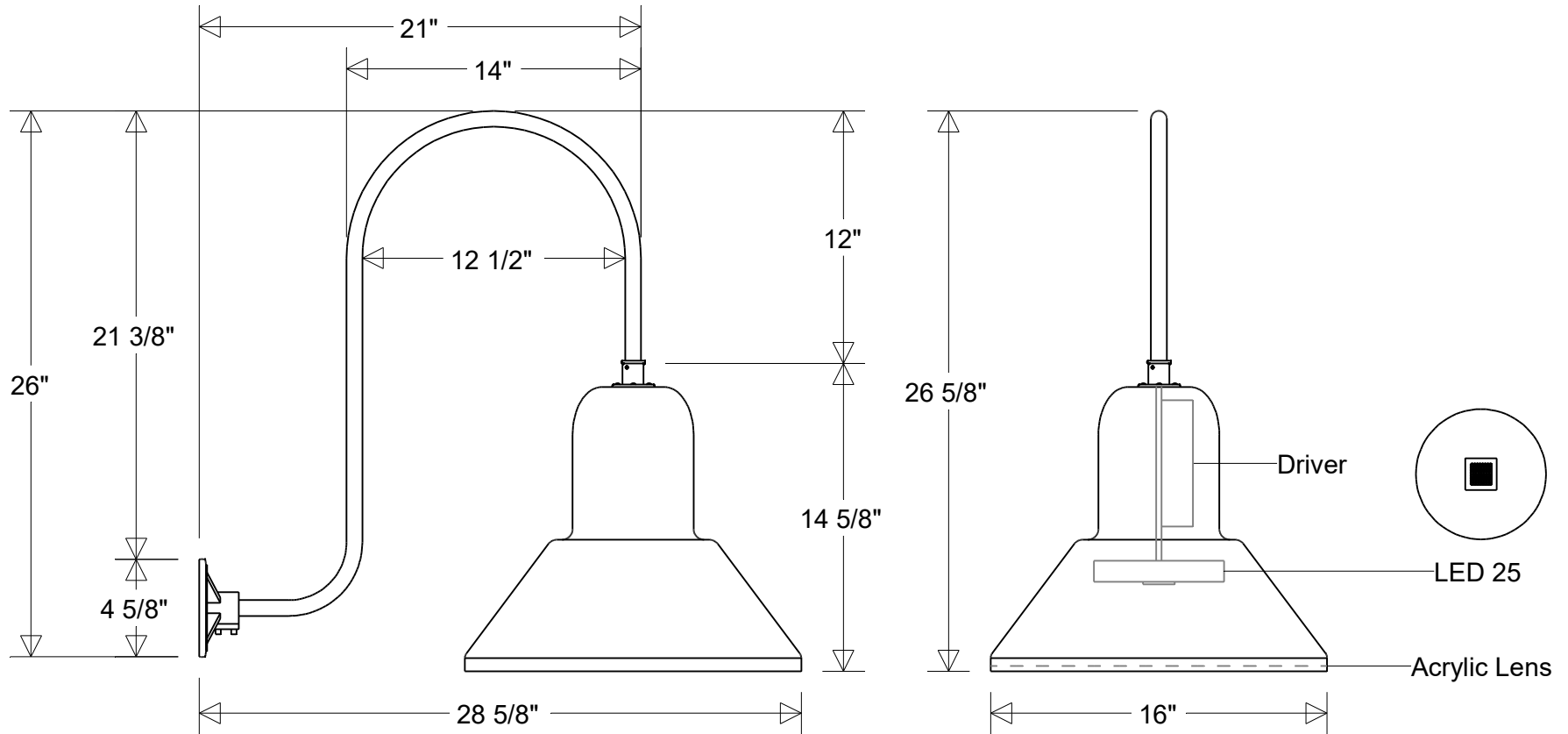



# Primelite Manufacturing Corp.

407 S Main St, Freeport, NY 11520  
 Phone: (516) 868-4411 | Fax: (516) 868-4609  
 sales@primelite-mfg.com | www.primelite-mfg.com

**PROUDLY MADE IN THE USA SINCE 1962!**  
**"SPECIALTIES ARE OUR SPECIALTY!"**

## Job Info



## #37/16-874 LED 25 Dimm

16" Dia | 28 5/8" Ext | 26 5/8" H  
 Shade: #37/16A LED 25 Dimm | Arm: #874

**Lamp: 25 W LED**  
 CCT: 3K or 4K | Others  
 50W MH Equivalent

80 CRI  
 120-277 V  
 0-10 V Dimming

**Finish:**  
 29 Oven Baked  
 Powder Coated Paints

**Material:**  
 Aluminum  
 Acrylic Lens

**Drawn:**  
 CB  
 04/2026

**Note:**  
 All dimensions are nominal.  
 Actual dimensions may vary.

**Scale:**  
 1/8

### Approvals

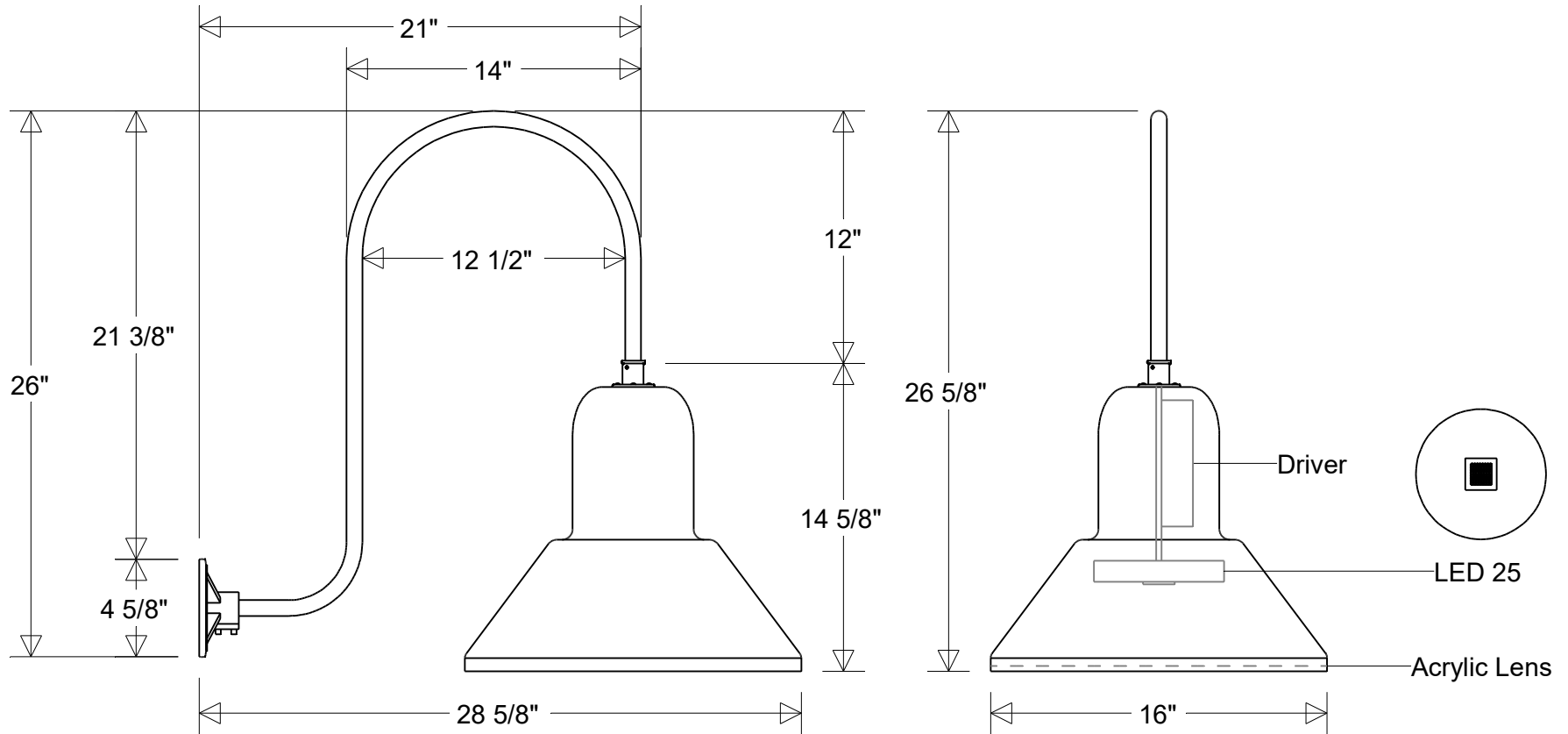



# Primelite Manufacturing Corp.

407 S Main St, Freeport, NY 11520  
 Phone: (516) 868-4411 | Fax: (516) 868-4609  
 sales@primelite-mfg.com | www.primelite-mfg.com

**PROUDLY MADE IN THE USA SINCE 1962!**  
**"SPECIALTIES ARE OUR SPECIALTY!"**

## Job Info



## #37/16-874 LED 25 NonDimm

16" Dia | 28 5/8" Ext | 26 5/8" H

Shade: #37/16A LED 25 NonDimm | Arm: #874

**Lamp: 25 W LED**  
 CCT: 3K or 4K | Others  
 50W MH Equivalent

80 CRI  
 120-277 V  
 Non-Dimming

**Finish:**  
 29 Oven Baked  
 Powder Coated Paints

**Material:**  
 Aluminum  
 Acrylic Lens

**Drawn:**  
 CB  
 04/2026

**Note:**  
 All dimensions are nominal.  
 Actual dimensions may vary.

**Scale:**  
 1/8

### Approvals

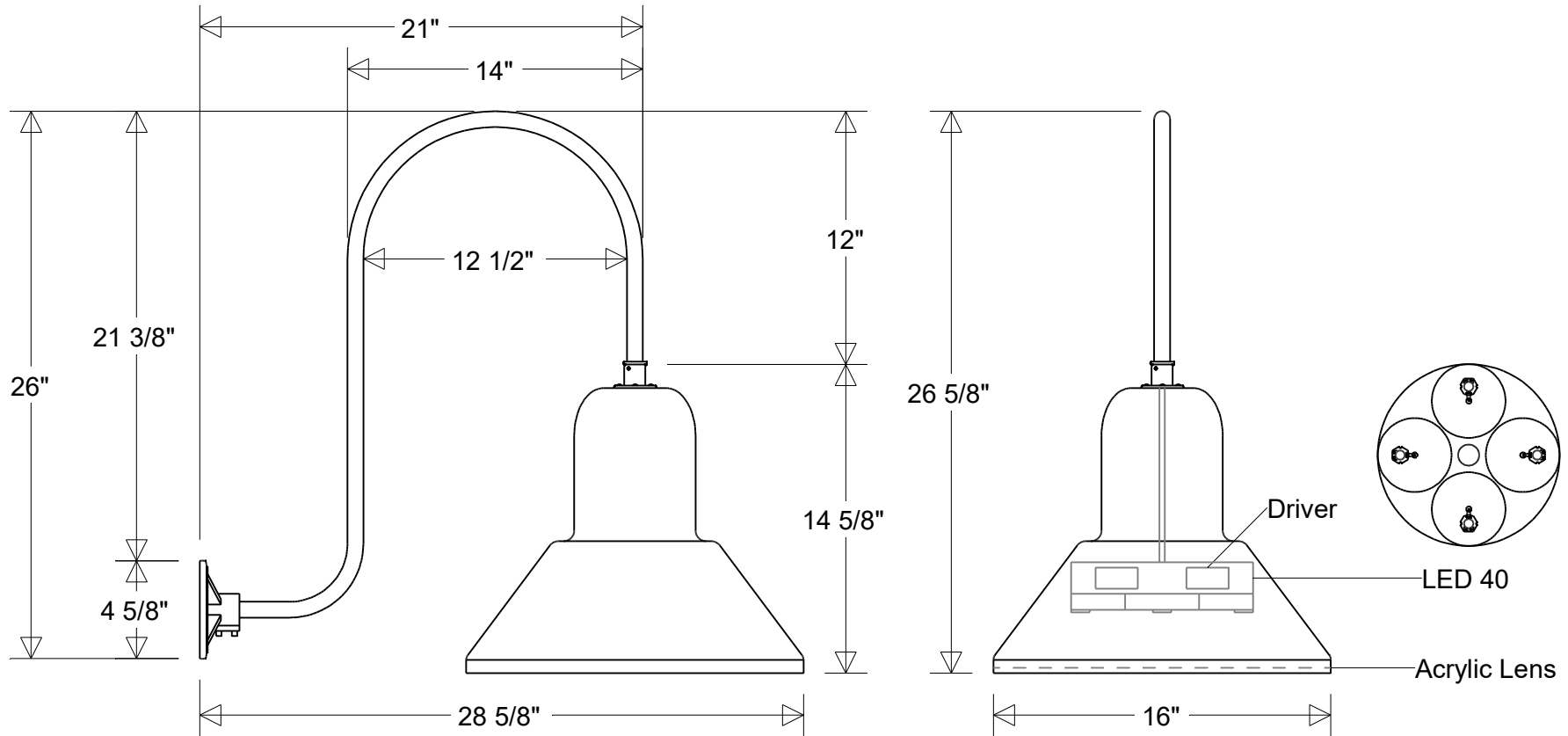



# Primelite Manufacturing Corp.

407 S Main St, Freeport, NY 11520  
 Phone: (516) 868-4411 | Fax: (516) 868-4609  
 sales@primelite-mfg.com | www.primelite-mfg.com

**PROUDLY MADE IN THE USA SINCE 1962!**  
**"SPECIALTIES ARE OUR SPECIALTY!"**

Job Info



## #37/16-874 LED 40 Dimm

16" Dia | 28 5/8" Ext | 26 5/8" H  
 Shade: #37/16A LED 40 Dimm | Arm: #874

**Lamp: 40 W LED**  
 CCT: 3K or 4K | Others  
 75W MH Equivalent

80 CRI  
 120-277 V  
 0-10 V Dimming

**Finish:**  
 29 Oven Baked  
 Powder Coated Paints

**Material:**  
 Aluminum  
 Acrylic Lens

**Drawn:**  
 CB  
 04/2026

**Note:**  
 All dimensions are nominal.  
 Actual dimensions may vary.

**Scale:**  
 1/8

Approvals

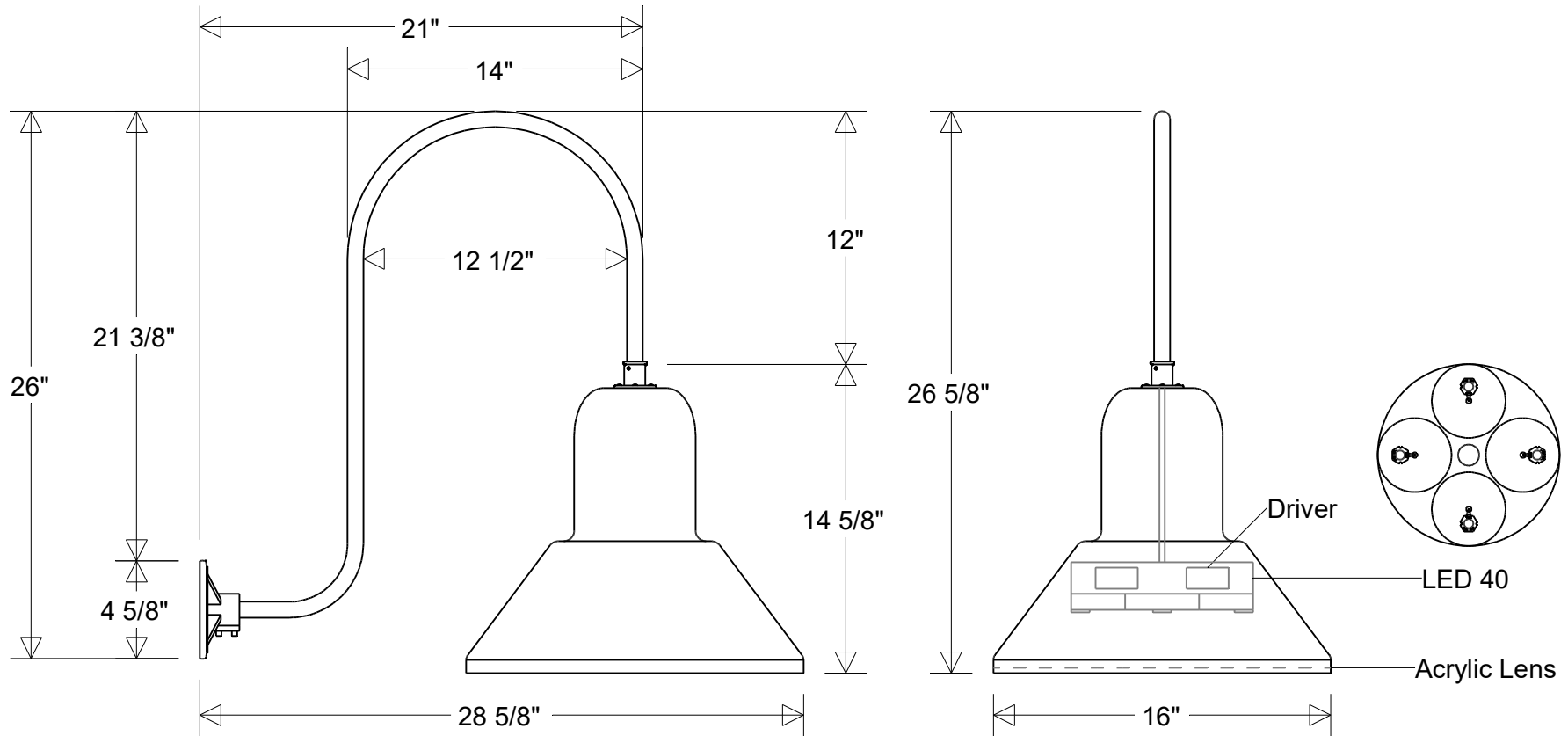



# Primelite Manufacturing Corp.

407 S Main St, Freeport, NY 11520  
 Phone: (516) 868-4411 | Fax: (516) 868-4609  
 sales@primelite-mfg.com | www.primelite-mfg.com

**PROUDLY MADE IN THE USA SINCE 1962!**  
**"SPECIALTIES ARE OUR SPECIALTY!"**

Job Info



## #37/16-874 LED 40 NonDimm

16" Dia | 28 5/8" Ext | 26 5/8" H

Shade: #37/16A LED 40 NonDimm | Arm: #874

**Lamp: 40 W LED**  
 CCT: 3K or 4K | Others  
 75W MH Equivalent

80 CRI  
 120-277 V  
 Non-Dimming

**Finish:**  
 29 Oven Baked  
 Powder Coated Paints

**Material:**  
 Aluminum  
 Acrylic Lens

**Drawn:**  
 CB  
 04/2026

**Note:**  
 All dimensions are nominal.  
 Actual dimensions may vary.

**Scale:**  
 1/8

Approvals

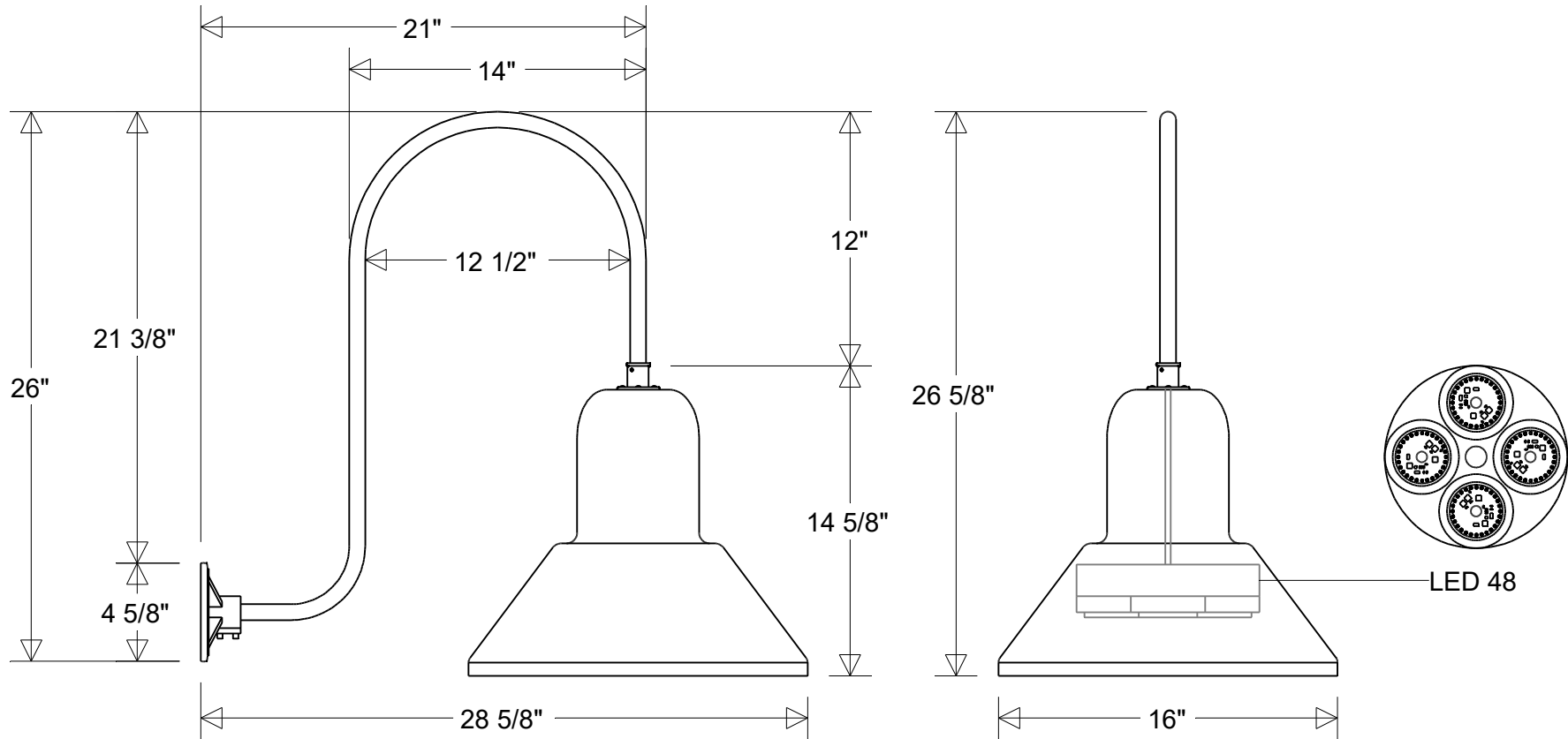


# Primelite Manufacturing Corp.

407 S Main St, Freeport, NY 11520  
 Phone: (516) 868-4411 | Fax: (516) 868-4609  
 sales@primelite-mfg.com | www.primelite-mfg.com

**PROUDLY MADE IN THE USA SINCE 1962!**  
**"SPECIALTIES ARE OUR SPECIALTY!"**

Job Info



## #37/16-874 LED 48

16" Dia | 28 5/8" Ext | 26 5/8" H  
 Shade: #37/16A LED 48 | Arm: #874

**Lamp: 48 W LED**  
 CCT: 3K or 4K  
 75W MH Equivalent  
 80 CRI  
 120V  
 Electronic Dimming

**Finish:**  
 29 Oven Baked  
 Powder Coated Paints  
**Material:**  
 Aluminum

**Drawn:**  
 CB  
 04/2026

**Scale:**  
 1/8

Approvals

**Note:**  
 All dimensions are nominal.  
 Actual dimensions may vary.

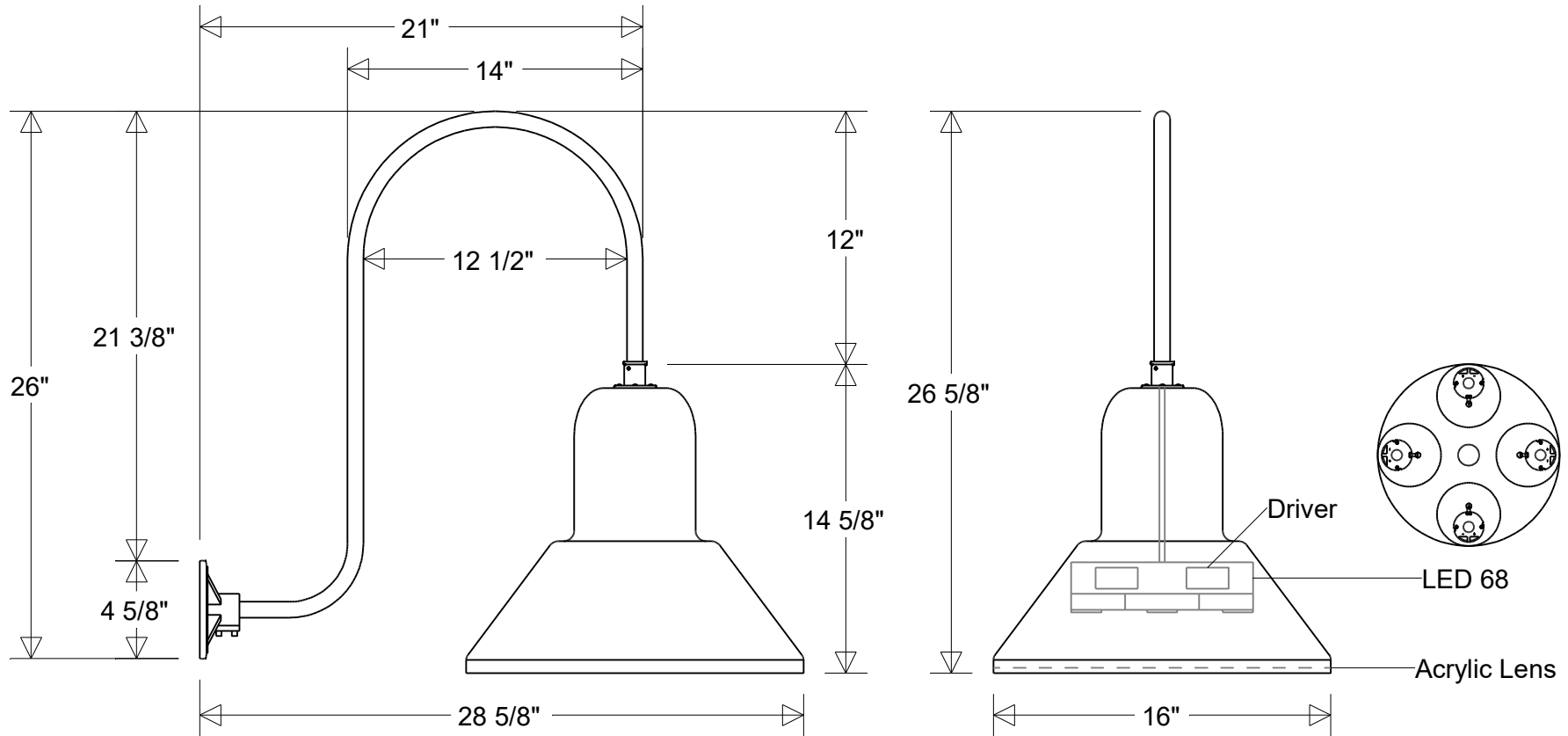


# Primelite Manufacturing Corp.

407 S Main St, Freeport, NY 11520  
 Phone: (516) 868-4411 | Fax: (516) 868-4609  
 sales@primelite-mfg.com | www.primelite-mfg.com

**PROUDLY MADE IN THE USA SINCE 1962!**  
**"SPECIALTIES ARE OUR SPECIALTY!"**

Job Info



## #37/16-874 LED 68 Dimm

16" Dia | 28 5/8" Ext | 26 5/8" H  
 Shade: #37/16A LED 68 Dimm | Arm: #874

**Lamp: 68 W LED**  
 CCT: 3K or 4K | Others  
 125W MH Equivalent  
 80 CRI  
 120-277 V  
 0-10 V Dimming

**Finish:**  
 29 Oven Baked  
 Powder Coated Paints  
**Material:**  
 Aluminum  
 Acrylic Lens

**Drawn:**  
 CB  
 04/2026

**Scale:**  
 1/8

**Note:**  
 All dimensions are nominal.  
 Actual dimensions may vary.

Approvals

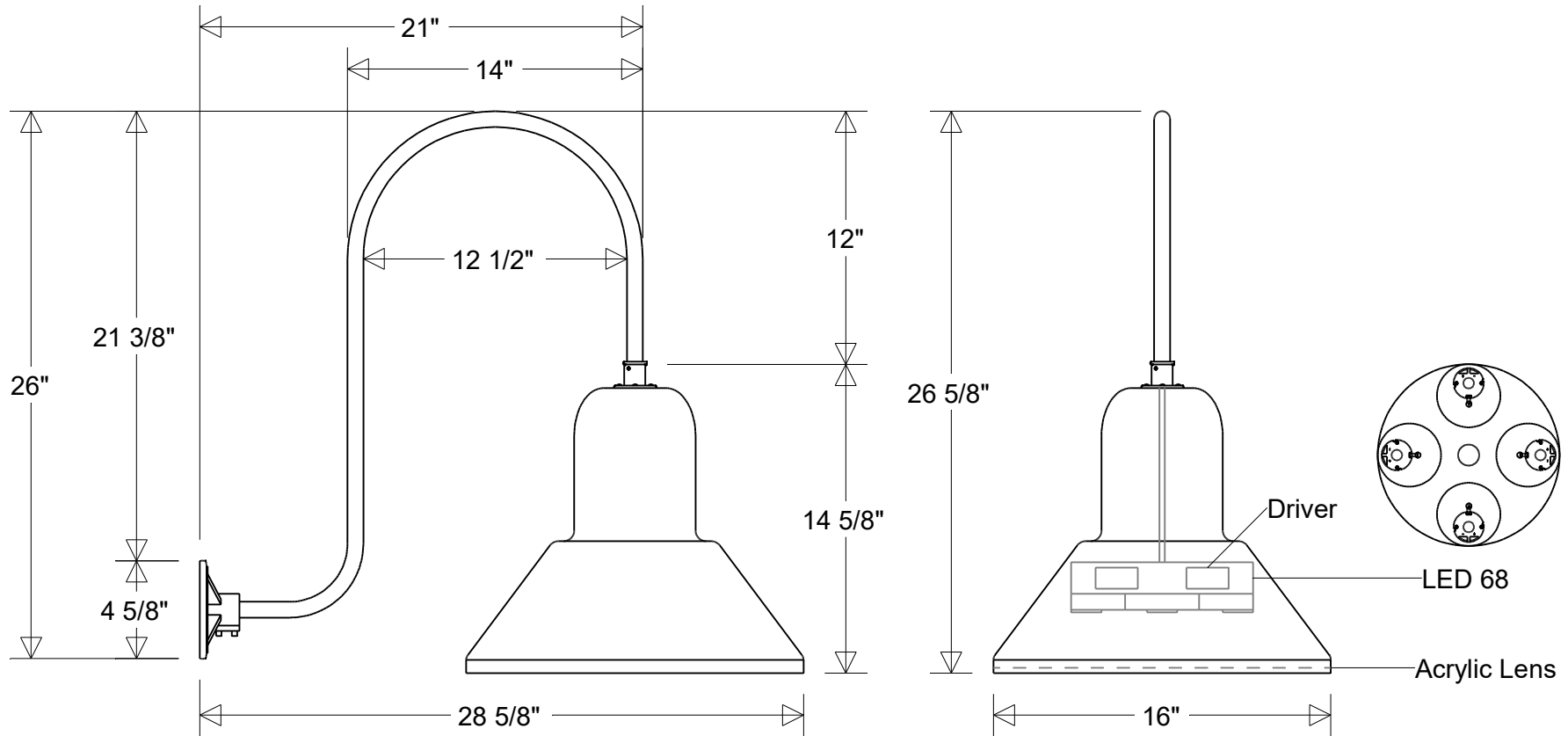



# Primelite Manufacturing Corp.

407 S Main St, Freeport, NY 11520  
 Phone: (516) 868-4411 | Fax: (516) 868-4609  
 sales@primelite-mfg.com | www.primelite-mfg.com

**PROUDLY MADE IN THE USA SINCE 1962!**  
**"SPECIALTIES ARE OUR SPECIALTY!"**

Job Info



## #37/16-874 LED 68 NonDimm

16" Dia | 28 5/8" Ext | 26 5/8" H

Shade: #37/16A LED 68 NonDimm | Arm: #874

**Lamp: 68 W LED**  
 CCT: 3K or 4K | Others  
 125W MH Equivalent

80 CRI  
 120-277 V  
 Non-Dimming

**Finish:**  
 29 Oven Baked  
 Powder Coated Paints

**Material:**  
 Aluminum  
 Acrylic Lens

**Drawn:**  
 CB  
 04/2026

**Note:**  
 All dimensions are nominal.  
 Actual dimensions may vary.

**Scale:**  
 1/8

Approvals
