

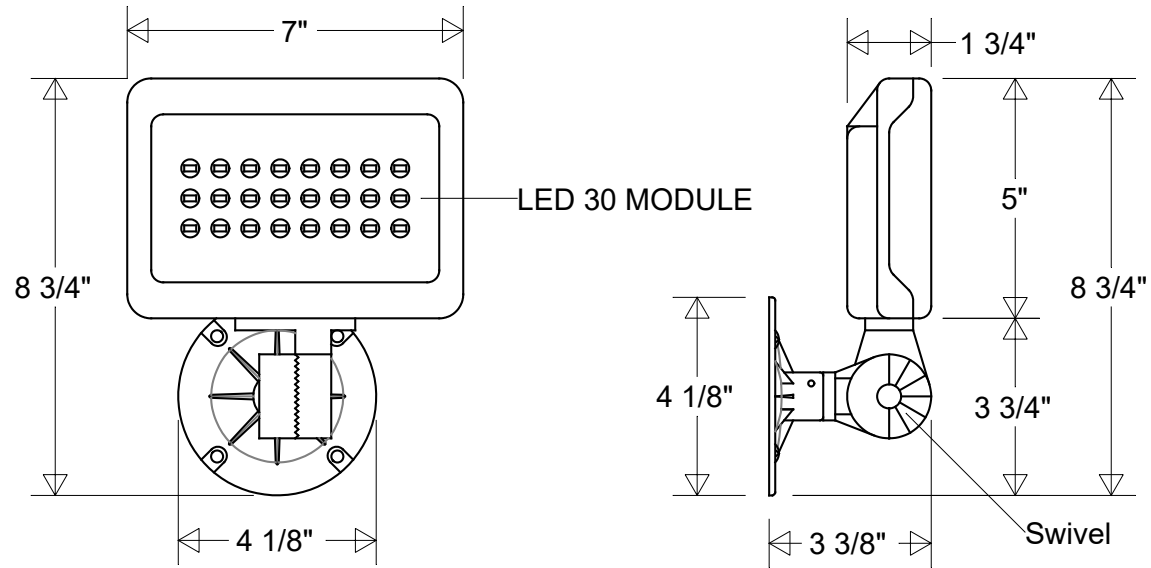


Primelite Manufacturing Corp

407 S Main St, Freeport, NY 11520

Phone: 516-868-4411 | Fax: 516-868-4609
 sales@primelite-mfg.com | www.primelite-mfg.com

PART # #3501 ESW LED 30	LAMP Built-In LED	VOLTAGE 120-277 V	COLOR Bronze
JOB NAME			TYPE Wall Light



Lamp: LED 30 Module 70-100 W MH Equivalent 3K = 3900 Lumens 4K = 3975 Lumens 5K = 4035 Lumens 0-10V Dimming Available	Initials	Date	#3501 ESW LED 30			
	Drawn	CB				06/2023
	Checked			7" W 3 3/8" Ext 8 3/4" H Adjustable Angle Swivel		
	ENG Appr.					
Construction: Aluminum Polycarbonate Lens	MFR Appr.		Size A	Drawing No. 0001	Rev A	
Unless Otherwise Specified: Dimensions in Inches	Weight:		Scale	CAD File	Sheet 1 of 1	

Revisions				
Zone	Rev	Description	Date	Appr