

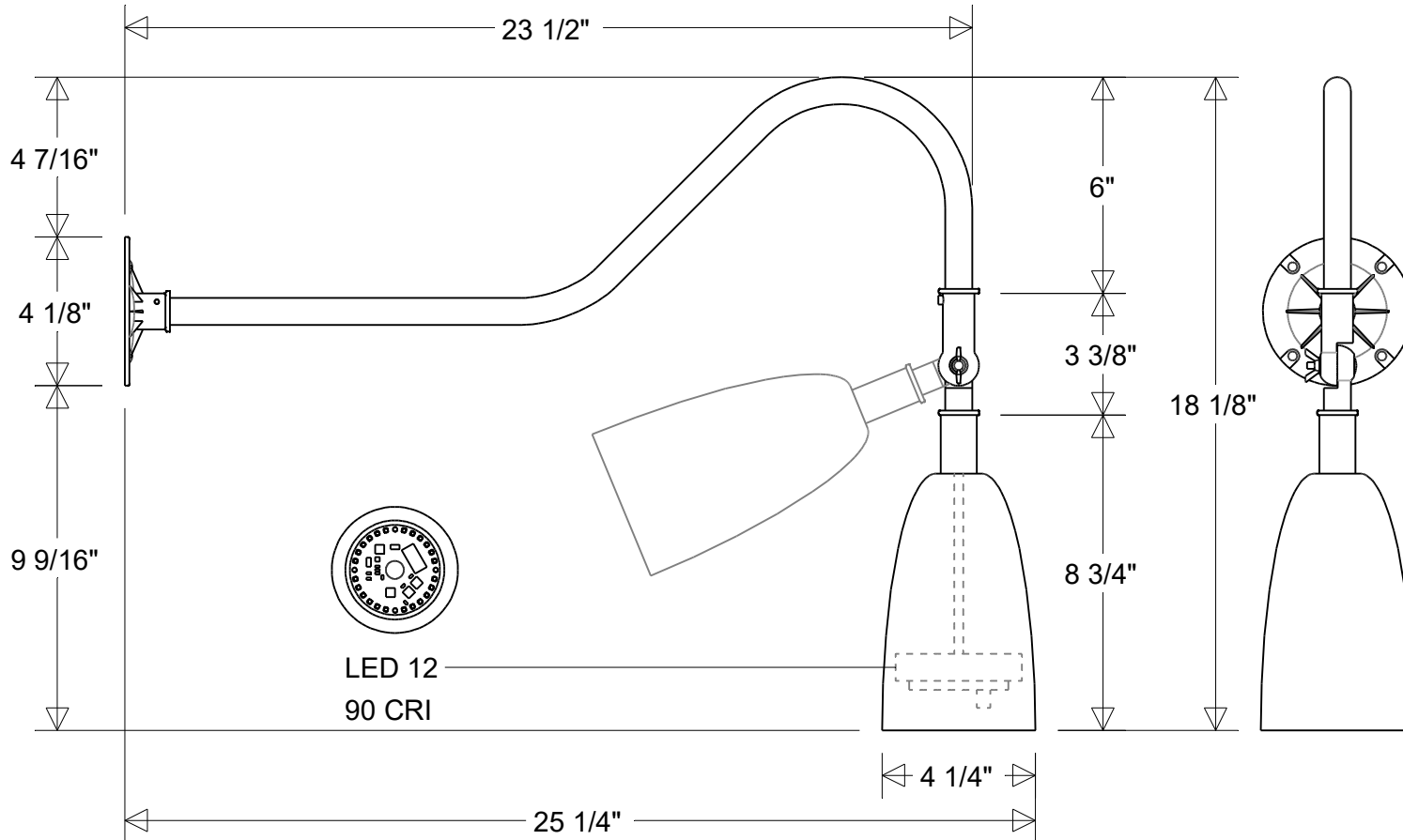


Primelite Manufacturing Corp.

407 S Main St, Freeport, NY 11520
 Phone: (516) 868-4411 | Fax: (516) 868-4609
 sales@primelite-mfg.com | www.primelite-mfg.com

PROUDLY MADE IN THE USA SINCE 1962!
"SPECIALTIES ARE OUR SPECIALTY!"

Job Info



#28/850 ESW LED 12 90 CRI

Lamp: 12 W LED 90 CRI 3K: 1020 Lumens 4K: 1040 Lumens	Finish: 29 Oven Baked Powder Coated Paints	Drawn: CB 06/2025	Scale: 1/5	Approvals	
Voltage: 120 V	Material: Aluminum	Note: All dimensions are nominal. Actual dimensions may vary.			

4 1/4" Dia | 25 1/4" Ext | 18 1/8" H

Shade: #28A LED 12 90 CRI | Arm: #850 ESW