

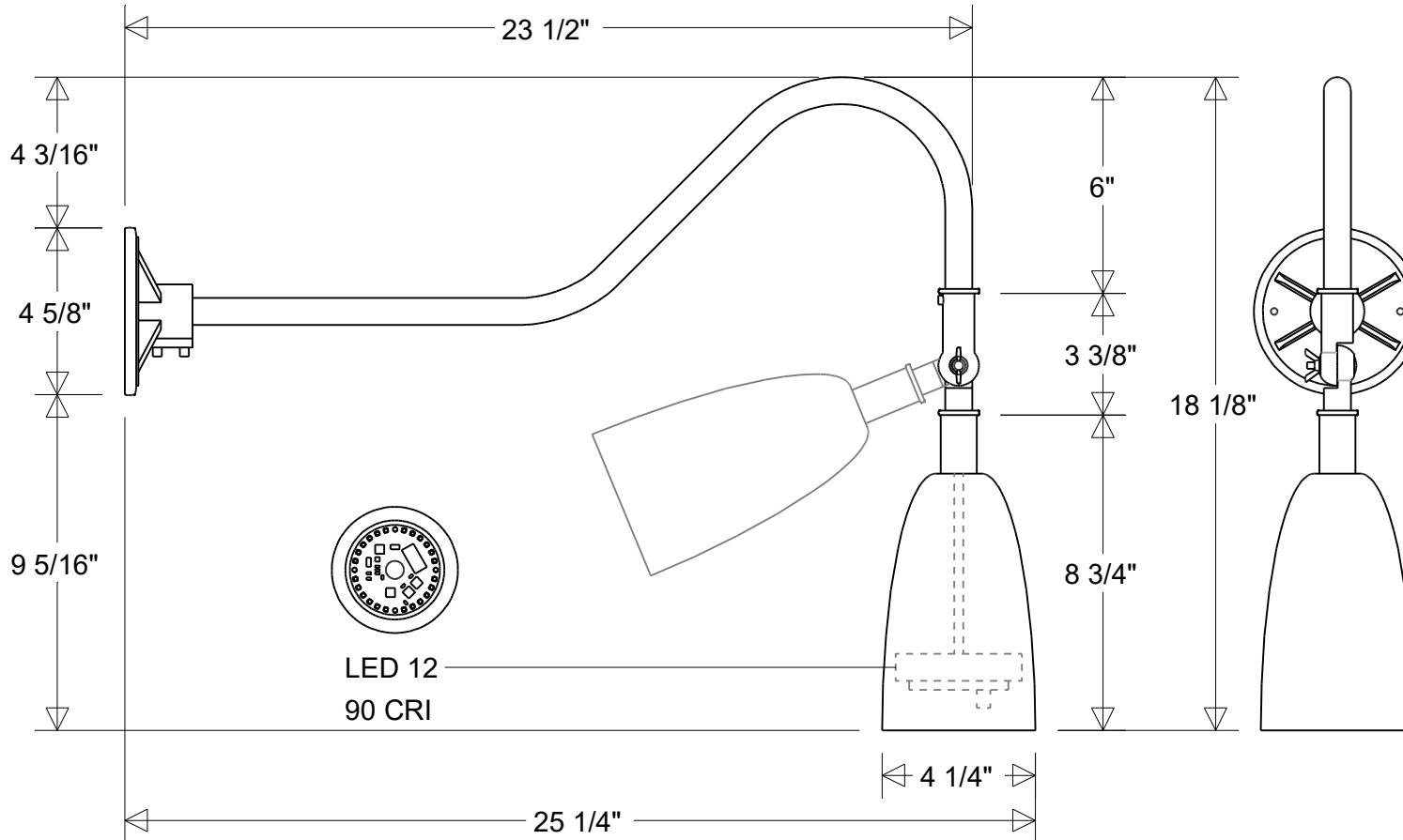


# Primelite Manufacturing Corp.

407 S Main St, Freeport, NY 11520  
 Phone: (516) 868-4411 | Fax: (516) 868-4609  
 sales@primelite-mfg.com | www.primelite-mfg.com

**PROUDLY MADE IN THE USA SINCE 1962!**  
**"SPECIALTIES ARE OUR SPECIALTY!"**

Job Info



## #28/850 ESW HDC LED 12 90 CRI

4 1/4" Dia | 25 1/4" Ext | 18 1/8" H  
 Shade: #28A LED 12 90 CRI | Arm: #850 ESW HDC

<b>Lamp:</b> 12 W LED 90 CRI 3K: 1020 Lumens 4K: 1040 Lumens	<b>Finish:</b> 29 Oven Baked Powder Coated Paints	<b>Drawn:</b> CB 06/2025	<b>Scale:</b> 1/5	<b>Approvals</b>	
<b>Voltage:</b> 120 V	<b>Material:</b> Aluminum	<b>Note:</b> All dimensions are nominal. Actual dimensions may vary.			