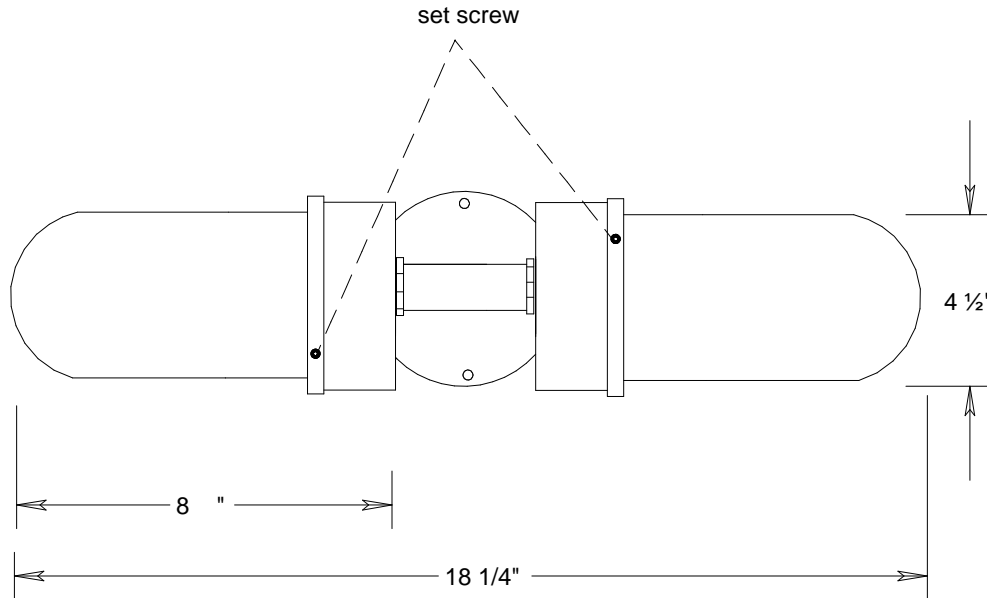




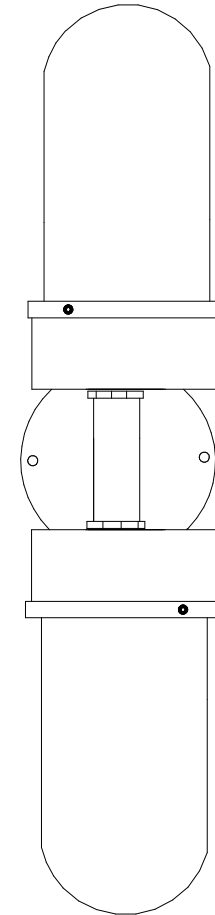
Primelite Manufacturing Corp

407 S Main St, Freeport, NY 11520
 Phone: 516-868-4411 | Fax: 516-868-4609
 sales@primelite-mfg.com | www.primelite-mfg.com



PART # #26/722-4 #26/722-5	LAMP Incandescent LED	VOLTAGE 120 V	COLOR Powder Coated Paint
	JOB NAME		TYPE Sconce



Horizontal



Vertical

Lamp: Incandescent LED   1/100A LED20 (2 x LED10)	Name	Date	Sconce #26/722-4 Sconce #26/722-5 Industrial Series Glass Jelly Jar Prismatic Clear (-4) Frosted (-5)			
	Drawn	lv				02/16/18
	Checked			Size	Drawing No.	Rev
	ENG Appr.			A	0001	A
	MFR Appr.			Scale	CAD File	Sheet
Construction: Aluminum	QA				1 of 1	
Unless Otherwise Specified: Dimensions in Inches	Jelly Jar Prismatic Clear (-4) Frosted (-5)					

Revisions				
Zone	Rev	Description	Date	Approved