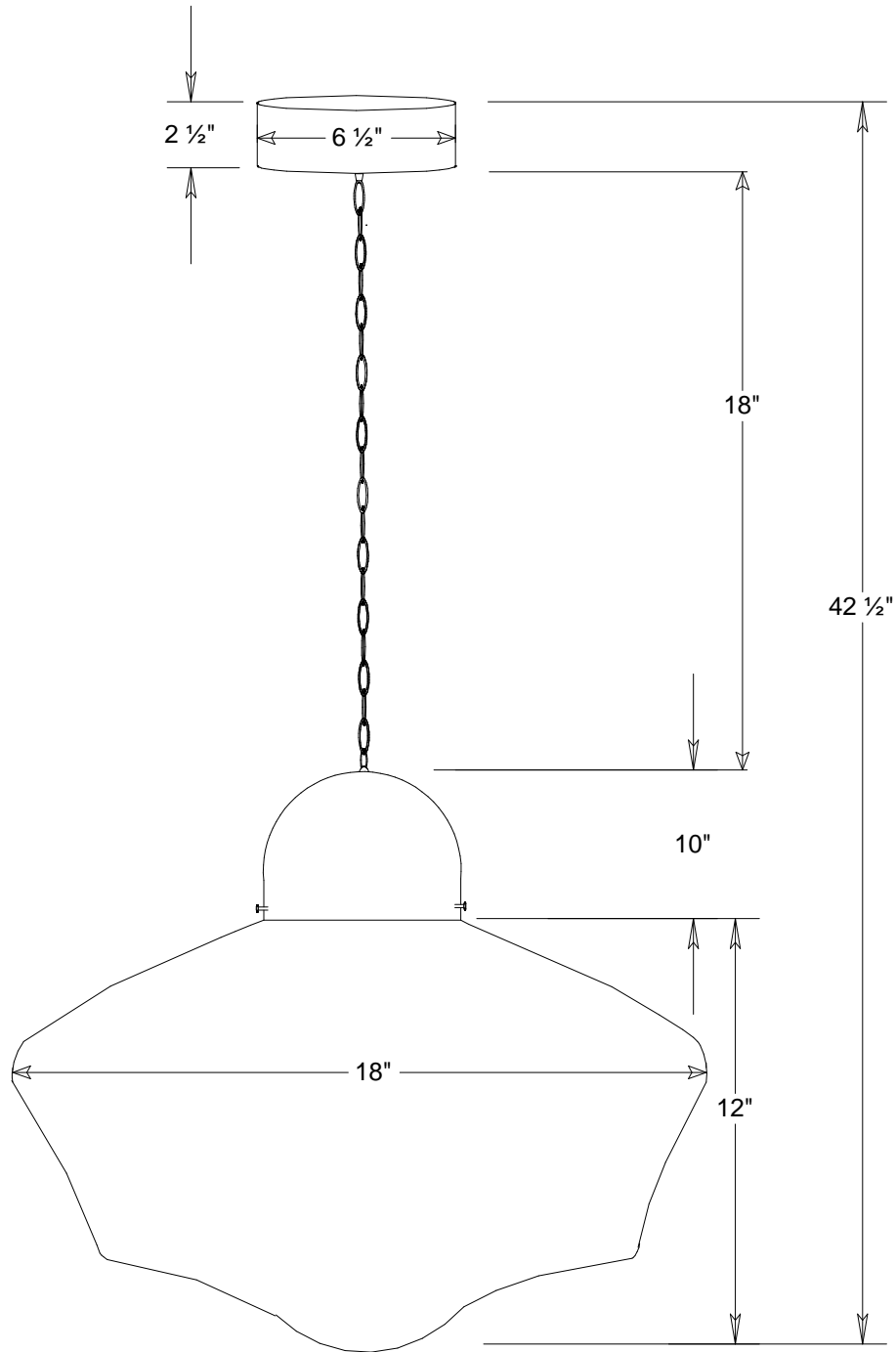
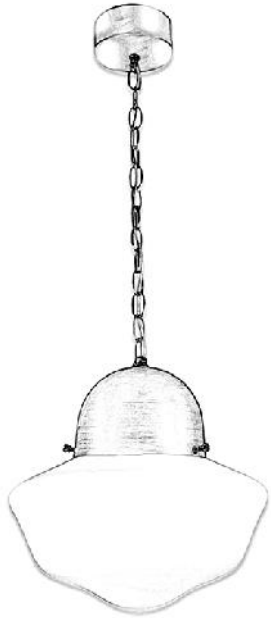




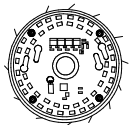
Primelite Manufacturing Corp

407 S Main St, Freeport, NY 11520
 Phone: 516-868-4411 | Fax: 516-868-4609
 sales@primelite-mfg.com | www.primelite-mfg.com

PART #	LAMP	VOLTAGE	COLOR
JOB NAME			TYPE



Lamp:



LED20 (LED10 x 2)

Construction:
Aluminum | Glass | Steel

Unless Otherwise Specified:
Dimensions in Inches

Name	Date	Pendant #258 LED20		
Drawn	iv	01/17/18		
Checked			18" School House Glass Globe	
ENG Appr.			18" Chain (Cord and Stem also available. Please Inquire)	
MFR Appr.			Size	Drawing No.
QA			A	0001
			Rev	A
Available Shades:	Scale	CAD File	Sheet	1 of 1
14" (#254), 16" (#256), 18" (#258)				

Revisions

Zone	Rev	Description	Date	Approved