

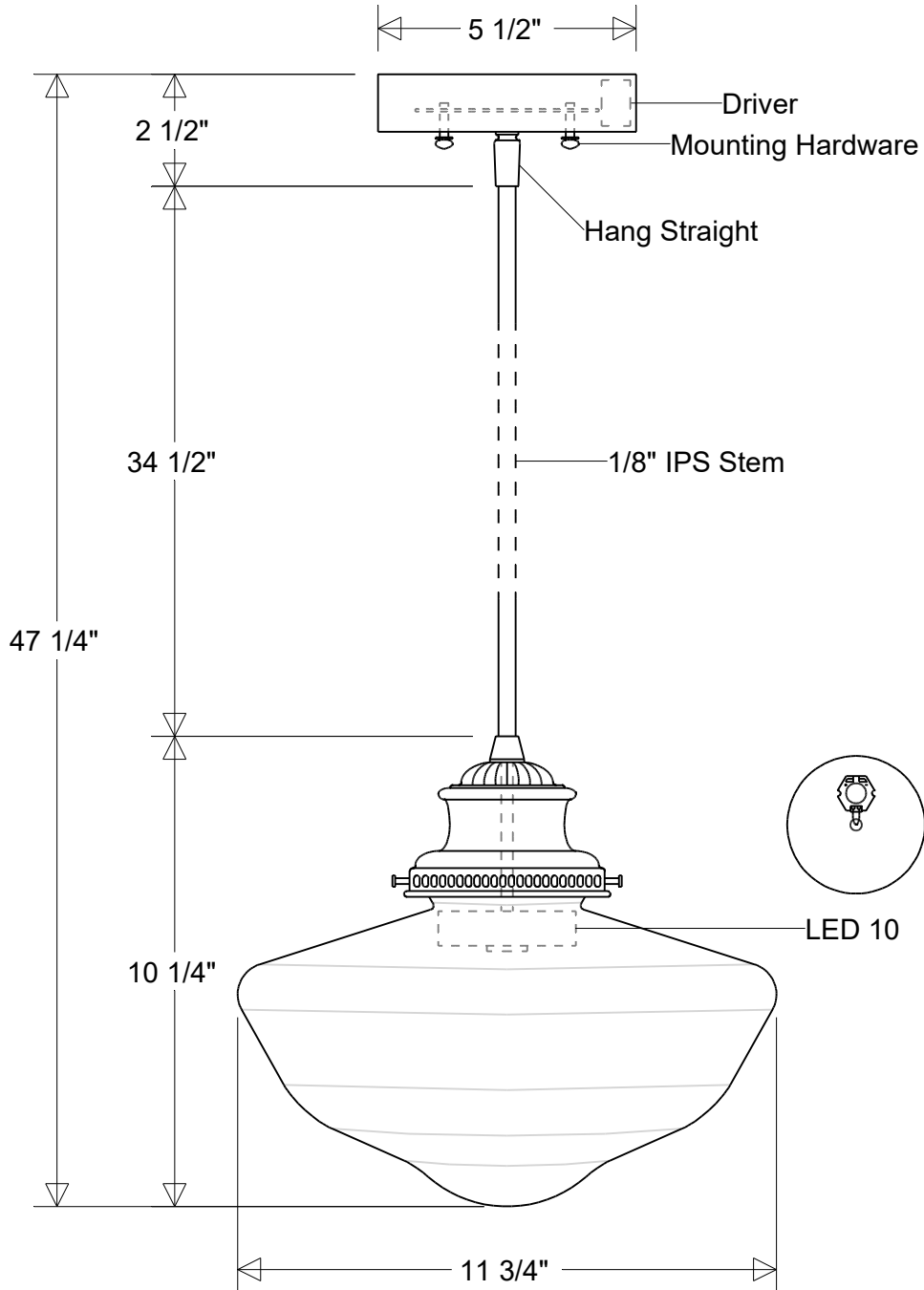


Primelite Manufacturing Corp.

407 S Main St, Freeport, NY 11520
 Phone: (516) 868-4411 | Fax: (516) 868-4609
 sales@primelite-mfg.com | www.primelite-mfg.com

PROUDLY MADE IN THE USA SINCE 1962!
"SPECIALTIES ARE OUR SPECIALTY!"

Job Info



#252 S-36 LED 10

11 3/4" Dia | 47 1/4" H
 White Glass Globe | 36" x 1/8" IPS Stem

Lamp: 10 W LED

1,600 Lumens
 3K | 4K | Others available

Voltage:
 120-277 V

Finish:

29 Oven Baked
 Powder Coated Paints

Material:
 Steel
 Glass

Drawn:

CB
 07/2025

Note:

All dimensions are nominal.
 Actual dimensions may vary.

Scale:

1/4

Approvals
