

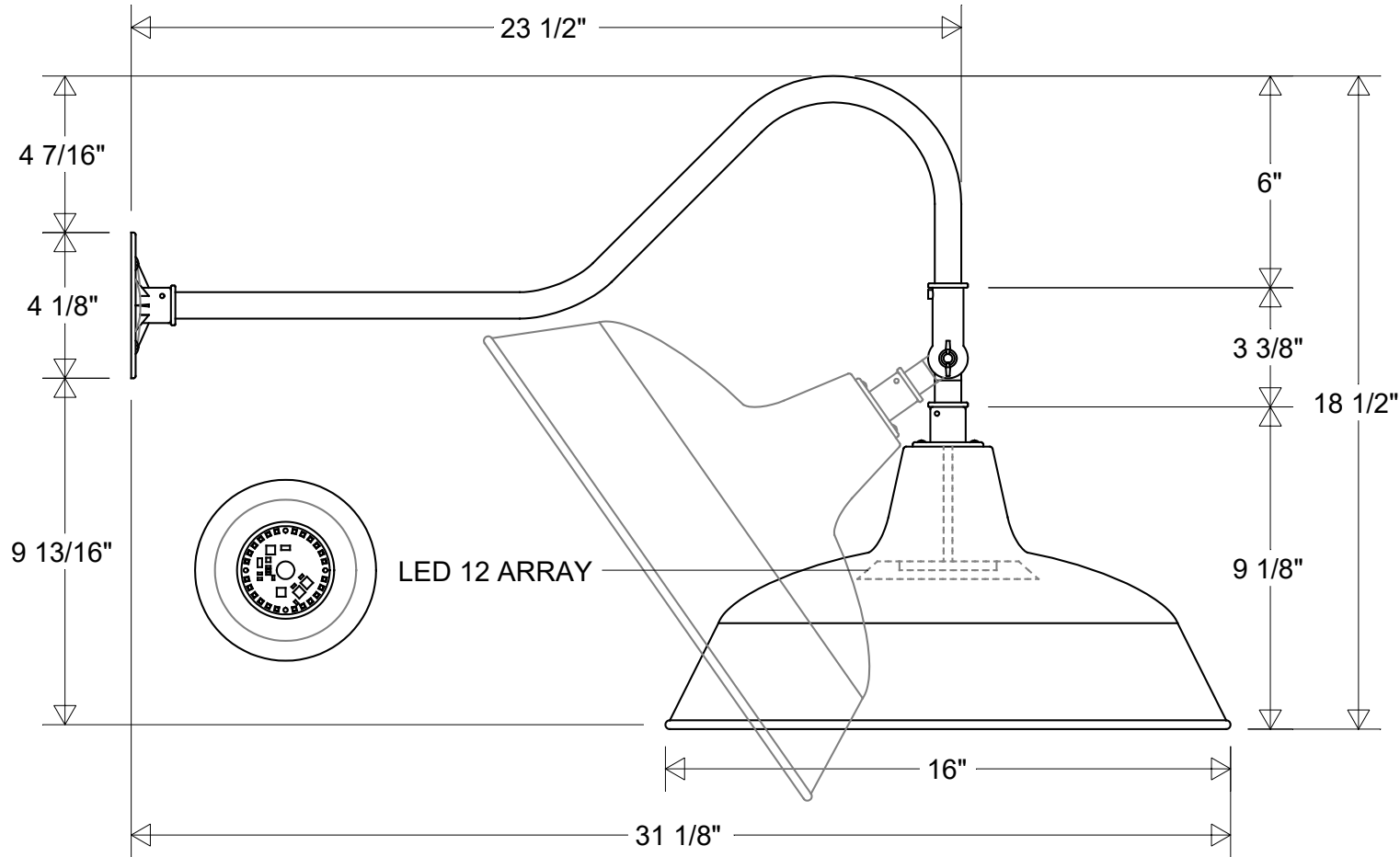


# Primelite Manufacturing Corp

407 S Main St, Freeport, NY 11520

Phone: 516-868-4411 | Fax: 516-868-4609  
 sales@primelite-mfg.com | www.primelite-mfg.com

PART # #23/16-850 ESW	LAMP LED 12	VOLTAGE 120 V	COLOR Powder Coated Paint
JOB NAME			TYPE Gooseneck



Lamp: LED 12 Array  
 60 W Inc Equivalent  
 3K = 1140 Lumens  
 4K = 1280 Lumens



	Initials	Date
Drawn	CB	12/2023
Checked		
ENG Appr.		
MFR Appr.		
QA		

## #23/16-850 ESW LED 12

16" Dia | 31 1/8" Ext | 18 1/2" H

Adjustable Angle Swivel

Size	Drawing No.	Rev
<b>A</b>	<b>0001</b>	<b>A</b>

### Revisions

Zone	Rev	Description	Date	Appr

Construction:  
Aluminum

Weight:

Scale CAD File Sheet  
**1 of 1**