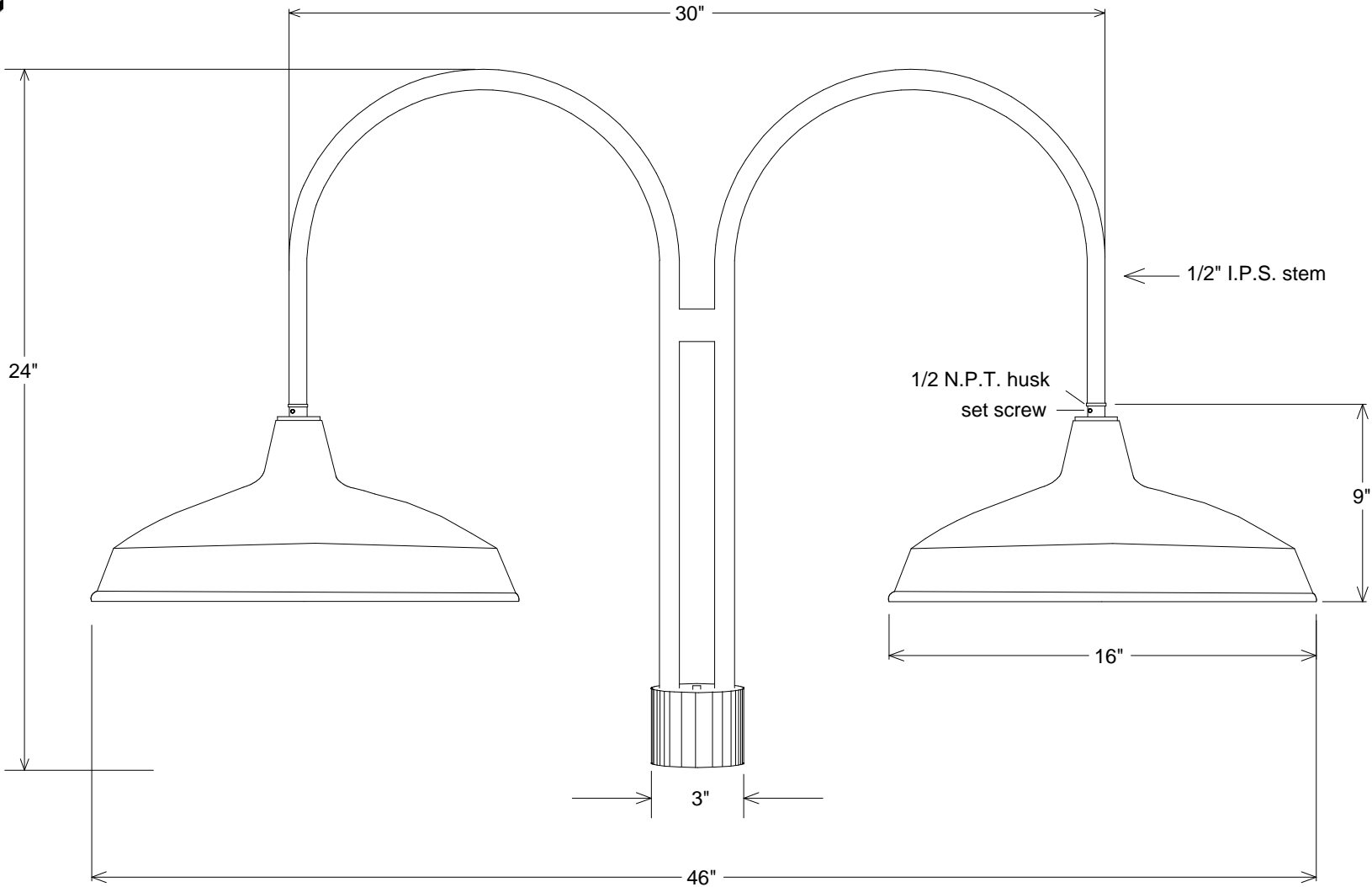




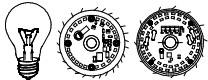
Primelite Manufacturing Corp

407 S Main St, Freeport, NY 11520
 Phone: 516-868-4411 | Fax: 516-868-4609
 sales@primelite-mfg.com | www.primelite-mfg.com

PART # #23/16-1864	LAMP Incandescent LED	VOLTAGE 120 V	COLOR Powder Coated Paint
JOB NAME			TYPE Post Mount



Lamp: Incandescent | LED



1/200A | LED12 | LED22

	Name	Date
Drawn	lv	07/12/18
Checked		
ENG Appr.		
MFR Appr.		
QA		

Post Mount #23/16-1864

16" Dia Shade (x 2)

Size	Drawing No.	Rev
A	0001	A

Construction: Aluminum
 Unless Otherwise Specified:
 Dimensions in Inches

Comments	Scale	CAD File	Sheet
			1 of 1

Revisions				
Zone	Rev	Description	Date	Approved