

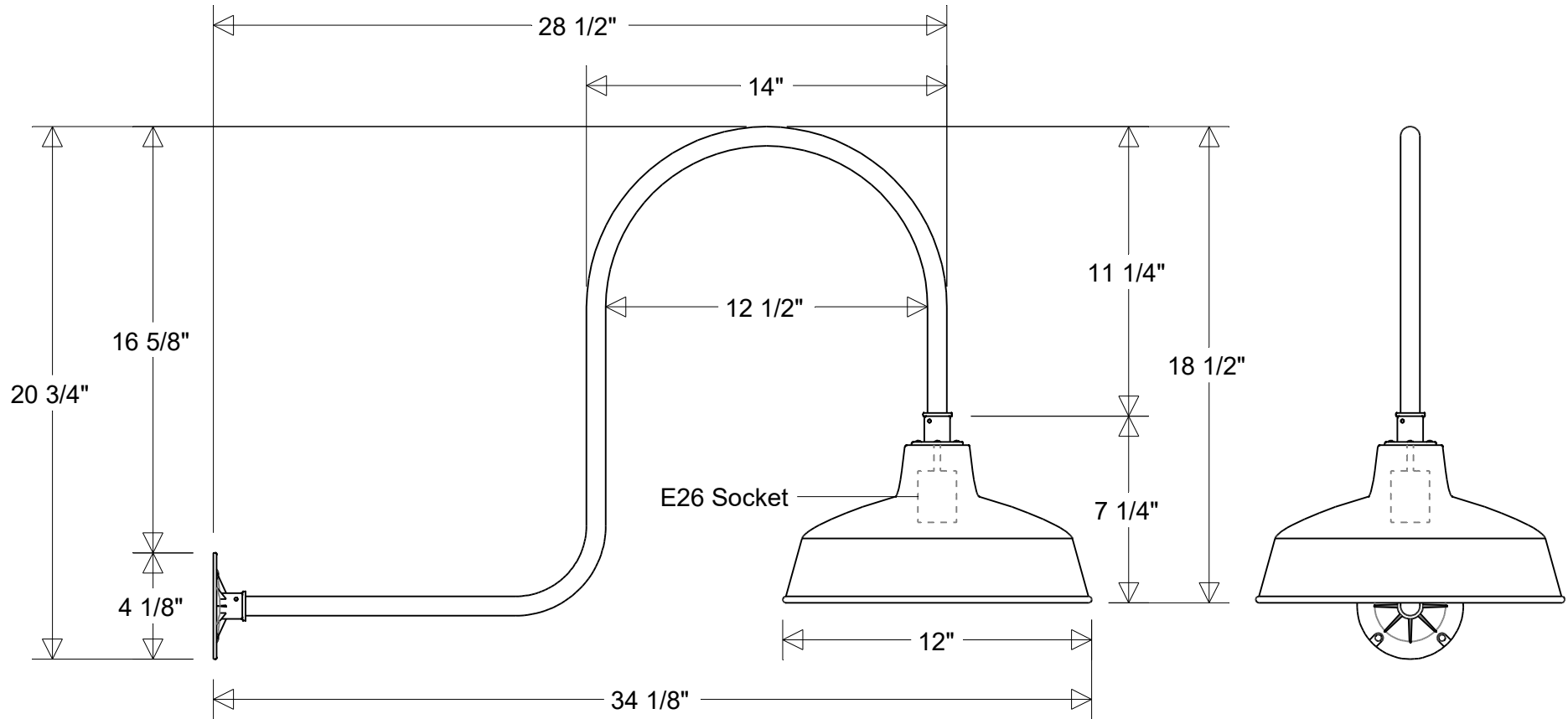


Primelite Manufacturing Corp.

407 S Main St, Freeport, NY 11520
 Phone: (516) 868-4411 | Fax: (516) 868-4609
 sales@primelite-mfg.com | www.primelite-mfg.com

PROUDLY MADE IN THE USA SINCE 1962!
"SPECIALTIES ARE OUR SPECIALTY!"

Job Info



#23/12-851

12" Dia | 34 1/8" Ext | 20 3/4" H
 Shade: #23/12A | Arm: #851

Lamp: E26 Socket	Finish: 29 Oven Baked	Drawn: CB	Scale: 1 / 6.25	Approvals
Max Wattage: 100 W	Powder Coated Paints	03/2025		
Number of Sockets: 1	Voltage: 120 V	Material: Aluminum	Note: All dimensions are nominal. Actual dimensions may vary.	