

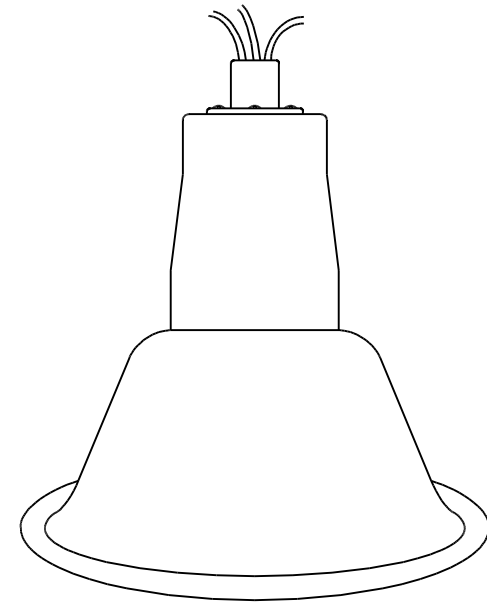
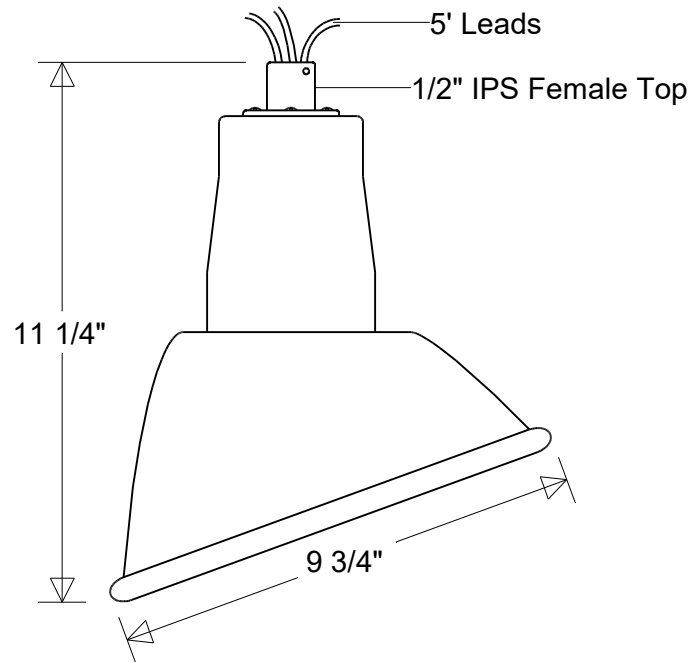


Primelite Manufacturing Corp.

407 S Main St, Freeport, NY 11520
 Phone: (516) 868-4411 | Fax: (516) 868-4609
 sales@primelite-mfg.com | www.primelite-mfg.com

PROUDLY MADE IN THE USA SINCE 1962!
"SPECIALTIES ARE OUR SPECIALTY!"

Job Info



#20A Series

9 3/4" Dia | 11 1/4" H

Fits 1/2" IPS Threaded Stems and Arms

Lamp Options:

E26 Socket
 LED12 | LED22
 LED10: Dimm | NonDimm
 LED25: Dimm | NonDimm
 Others Available

Finish:

29 Oven Baked
 Powder Coated Paints

Material:

Aluminum

Drawn:

CB
 04/2026

Scale:

1/4

Approvals

Note:

All dimensions are nominal.
 Actual dimensions may vary.

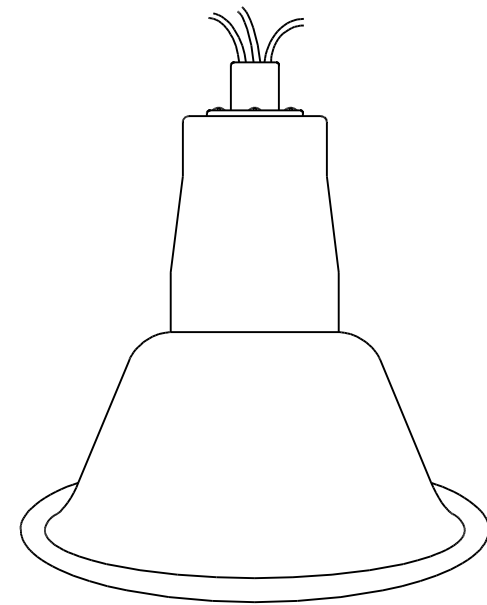
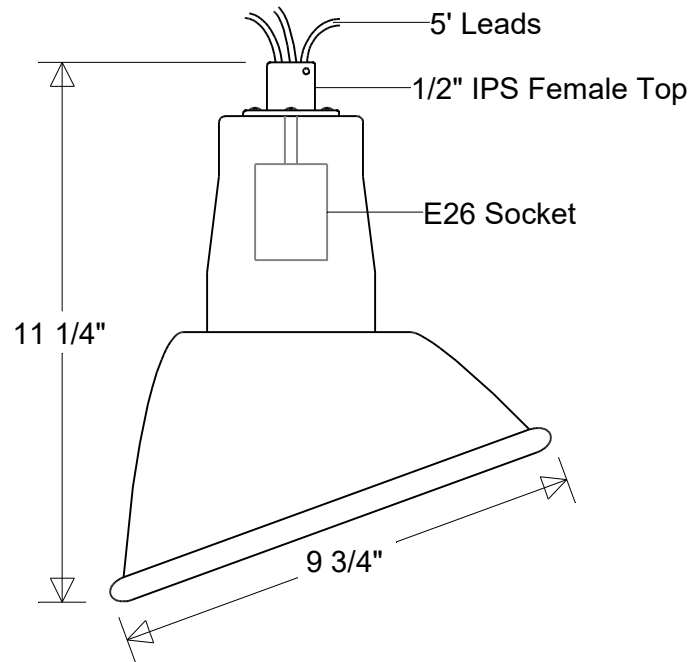


Primelite Manufacturing Corp.

407 S Main St, Freeport, NY 11520
 Phone: (516) 868-4411 | Fax: (516) 868-4609
 sales@primelite-mfg.com | www.primelite-mfg.com

PROUDLY MADE IN THE USA SINCE 1962!
"SPECIALTIES ARE OUR SPECIALTY!"

Job Info



#20A

9 3/4" Dia | 11 1/4" H
 Fits 1/2" IPS Threaded Stems and Arms

Lamp: E26 Socket Max Wattage: 200 W Number of Sockets: 1 120 V	Finish: 29 Oven Baked Powder Coated Paints	Drawn: CB 04/2026	Scale: 1/4	Approvals	
	Material: Aluminum	Note: All dimensions are nominal. Actual dimensions may vary.			

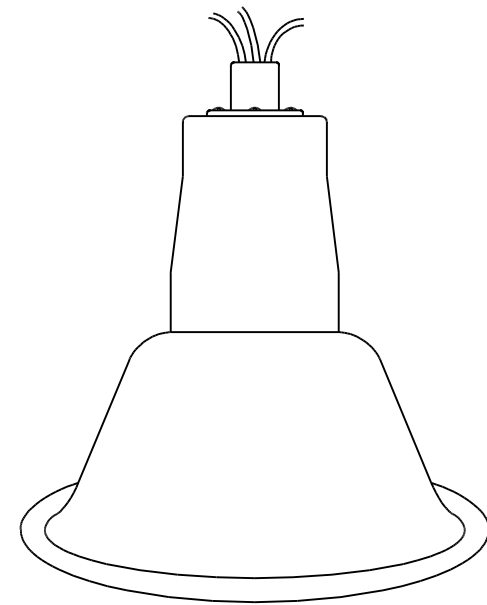
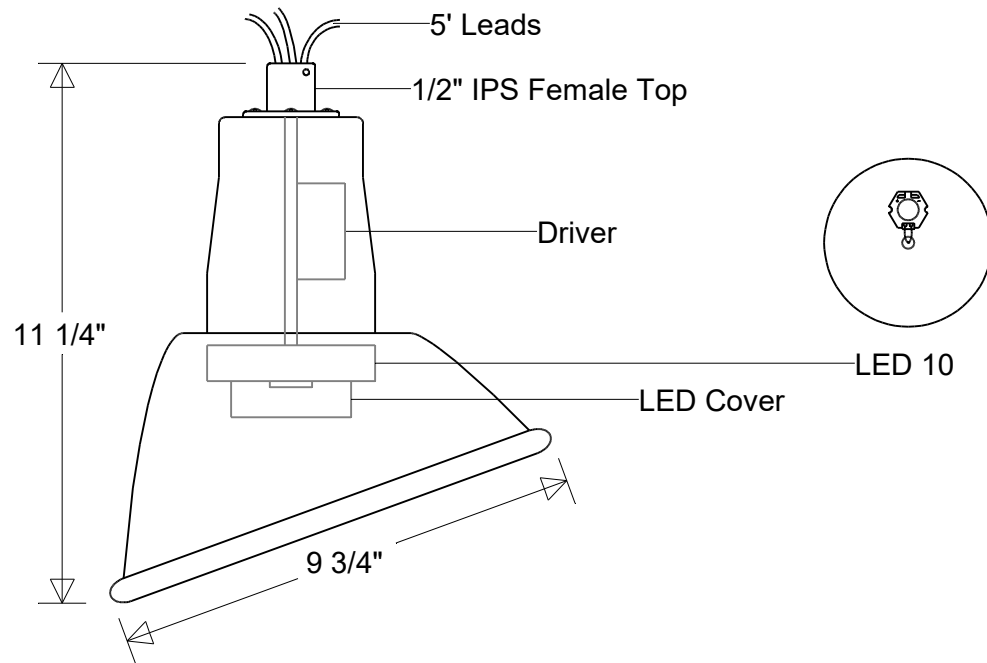


Primelite Manufacturing Corp.

407 S Main St, Freeport, NY 11520
 Phone: (516) 868-4411 | Fax: (516) 868-4609
 sales@primelite-mfg.com | www.primelite-mfg.com

PROUDLY MADE IN THE USA SINCE 1962!
"SPECIALTIES ARE OUR SPECIALTY!"

Job Info



#20A LED 10 Dimm

9 3/4" Dia | 11 1/4" H
 Fits 1/2" IPS Threaded Stems and Arms

Lamp: 10 W LED CCT: 3K or 4K Others 100W Inc Equivalent 80 CRI 120-277 V 0-10 V Dimming	Finish: 29 Oven Baked Powder Coated Paints Material: Aluminum	Drawn: CB 04/2026 Note: All dimensions are nominal. Actual dimensions may vary.	Scale: 1/4	Approvals	

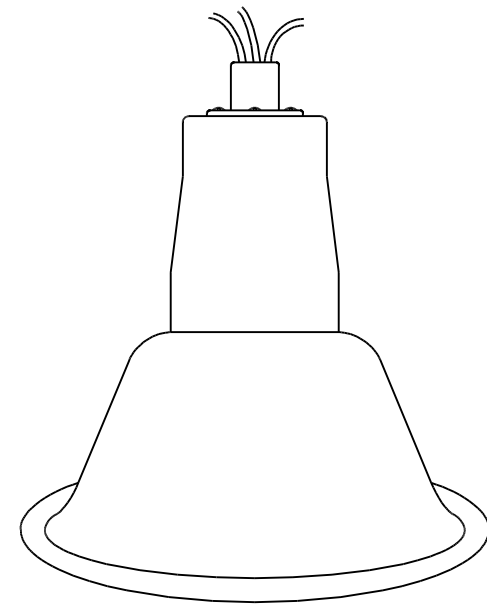
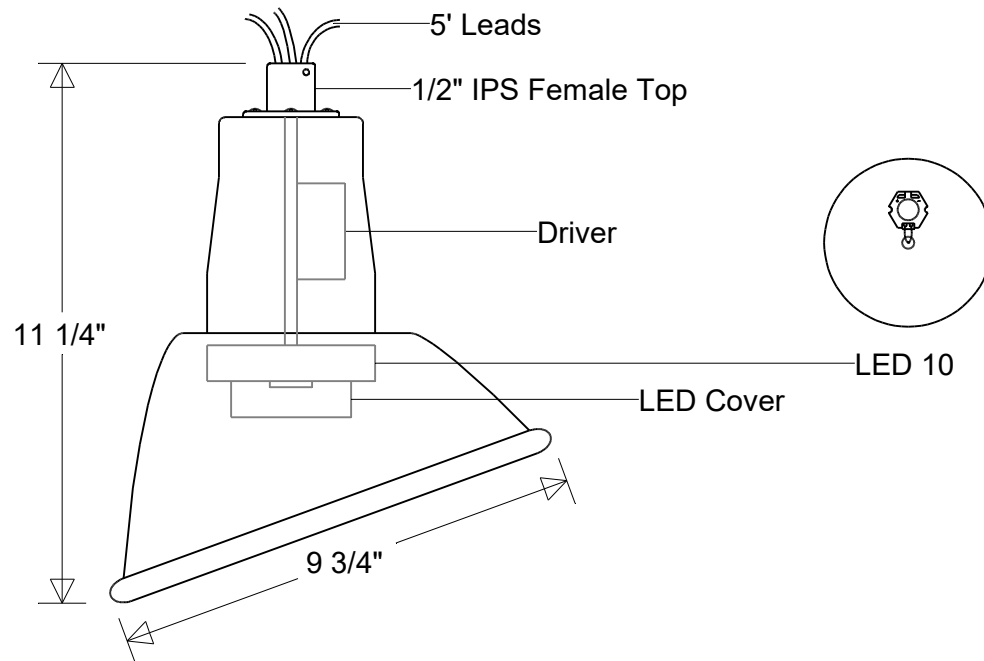


Primelite Manufacturing Corp.

407 S Main St, Freeport, NY 11520
 Phone: (516) 868-4411 | Fax: (516) 868-4609
 sales@primelite-mfg.com | www.primelite-mfg.com

PROUDLY MADE IN THE USA SINCE 1962!
"SPECIALTIES ARE OUR SPECIALTY!"

Job Info



#20A LED 10 NonDimm

9 3/4" Dia | 11 1/4" H
 Fits 1/2" IPS Threaded Stems and Arms

Lamp: 10 W LED CCT: 3K or 4K Others 100W Inc Equivalent	Finish: 29 Oven Baked Powder Coated Paints	Drawn: CB	Scale: 1/4	Approvals	
80 CRI 120-277 V Non-Dimming	Material: Aluminum	Note: All dimensions are nominal. Actual dimensions may vary.			

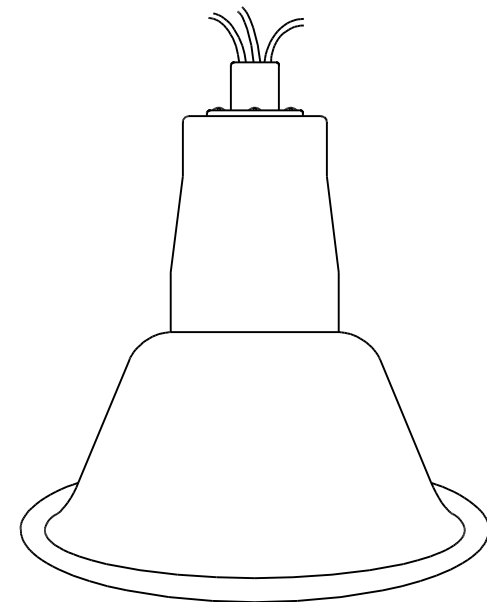
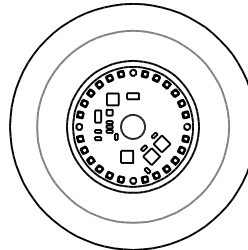
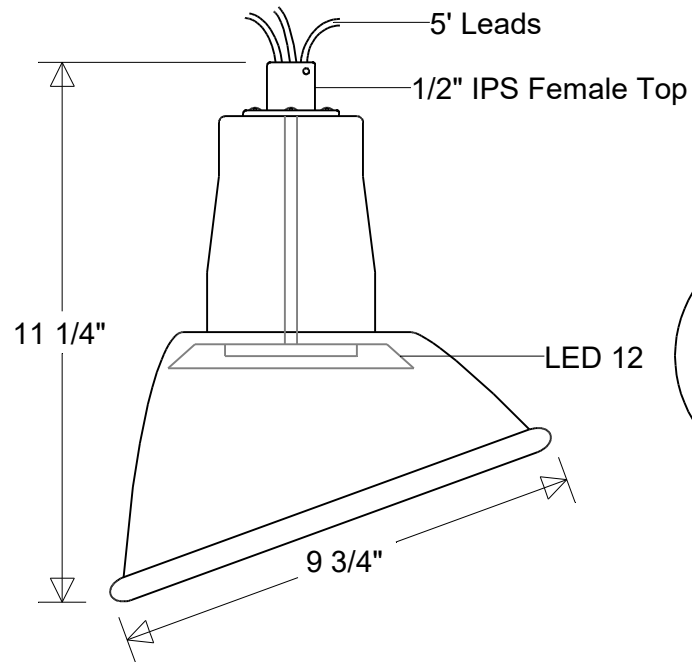


Primelite Manufacturing Corp.

407 S Main St, Freeport, NY 11520
 Phone: (516) 868-4411 | Fax: (516) 868-4609
 sales@primelite-mfg.com | www.primelite-mfg.com

PROUDLY MADE IN THE USA SINCE 1962!
"SPECIALTIES ARE OUR SPECIALTY!"

Job Info



#20A LED 12

9 3/4" Dia | 11 1/4" H
 Fits 1/2" IPS Threaded Stems and Arms

Lamp: 12 W LED
 CCT: 3K or 4K
 75W Inc Equivalent
 80 CRI
 120V
 Electronic Dimming

Finish:
 29 Oven Baked
 Powder Coated Paints
Material:
 Aluminum

Drawn:
 CB
 04/2026

Scale:
 1/4

Approvals

Note:
 All dimensions are nominal.
 Actual dimensions may vary.

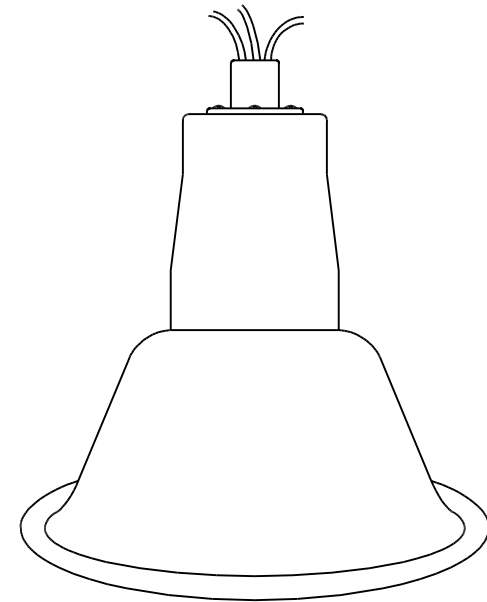
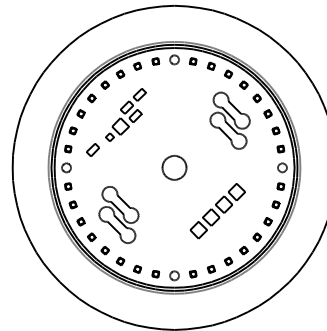
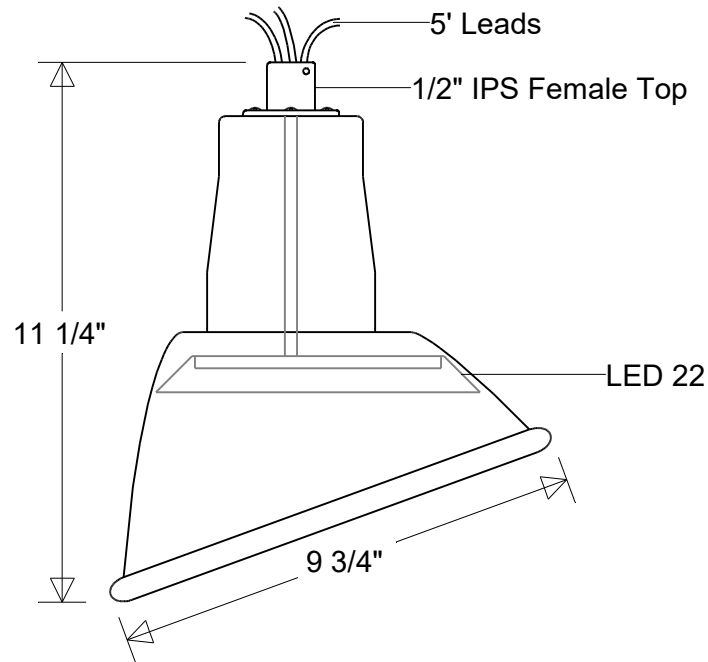


Primelite Manufacturing Corp.

407 S Main St, Freeport, NY 11520
 Phone: (516) 868-4411 | Fax: (516) 868-4609
 sales@primelite-mfg.com | www.primelite-mfg.com

PROUDLY MADE IN THE USA SINCE 1962!
"SPECIALTIES ARE OUR SPECIALTY!"

Job Info



#20A LED 22

9 3/4" Dia | 11 1/4" H
 Fits 1/2" IPS Threaded Stems and Arms

Lamp: 22 W LED
 CCT: 3K or 4K
 125W Inc Equivalent
 80 CRI
 120V
 Electronic Dimming

Finish:
 29 Oven Baked
 Powder Coated Paints
Material:
 Aluminum

Drawn:
 CB
 04/2026

Scale:
 1/4

Note:
 All dimensions are nominal.
 Actual dimensions may vary.

Approvals

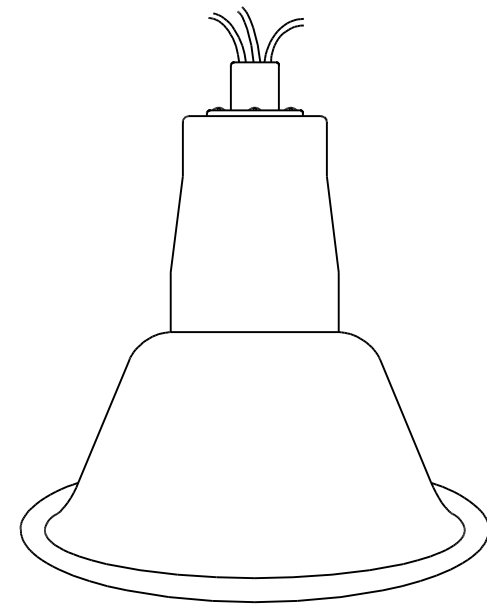
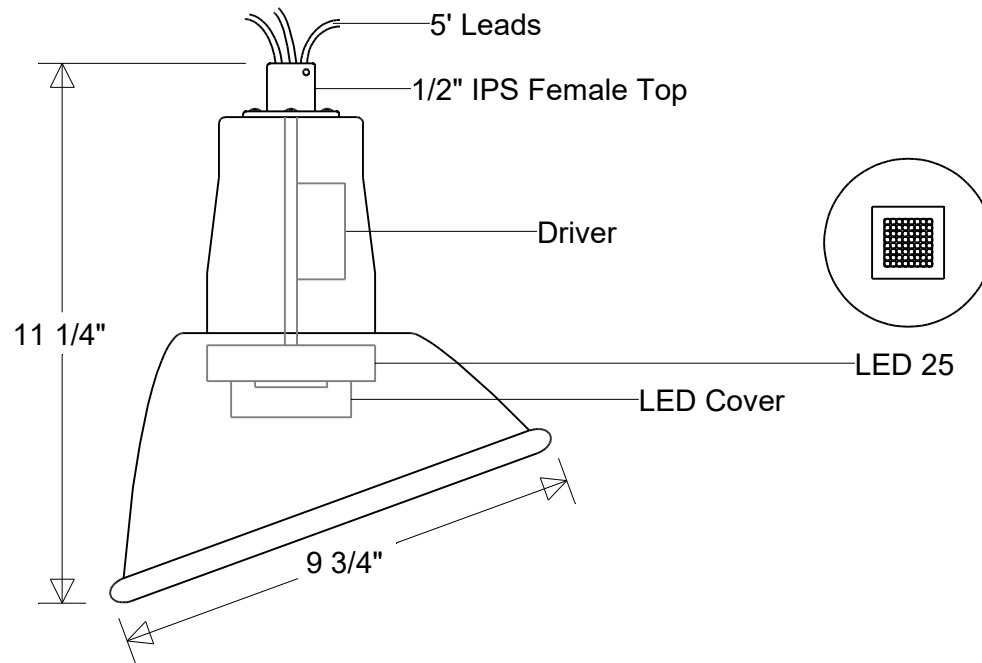


Primelite Manufacturing Corp.

407 S Main St, Freeport, NY 11520
 Phone: (516) 868-4411 | Fax: (516) 868-4609
 sales@primelite-mfg.com | www.primelite-mfg.com

PROUDLY MADE IN THE USA SINCE 1962!
"SPECIALTIES ARE OUR SPECIALTY!"

Job Info



#20A LED 25 Dimm

9 3/4" Dia | 11 1/4" H
 Fits 1/2" IPS Threaded Stems and Arms

Lamp: 25 W LED CCT: 3K or 4K Others 50W MH Equivalent	Finish: 29 Oven Baked Powder Coated Paints	Drawn: CB	Scale: 1/4	Approvals	
80 CRI 120-277 V 0-10 V Dimming	Material: Aluminum	Note: All dimensions are nominal. Actual dimensions may vary.			

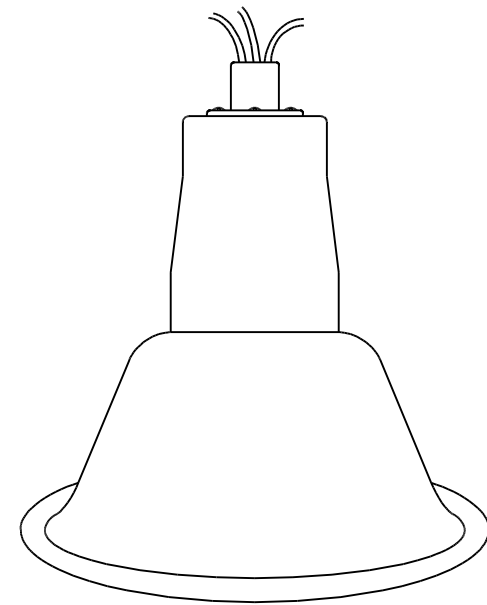
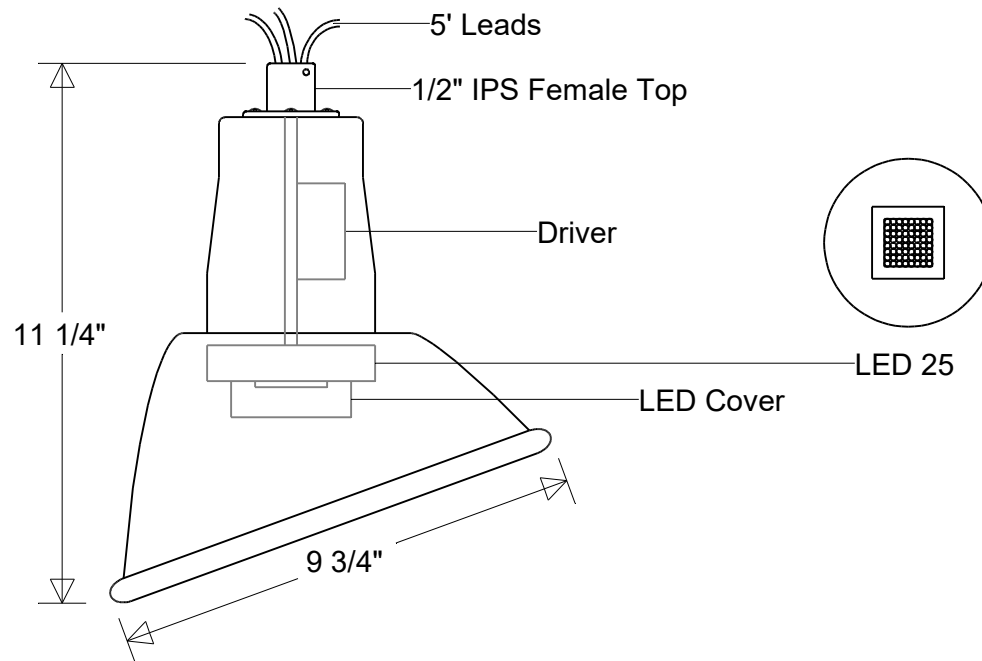


Primelite Manufacturing Corp.

407 S Main St, Freeport, NY 11520
 Phone: (516) 868-4411 | Fax: (516) 868-4609
 sales@primelite-mfg.com | www.primelite-mfg.com

PROUDLY MADE IN THE USA SINCE 1962!
"SPECIALTIES ARE OUR SPECIALTY!"

Job Info



#20A LED 25 NonDimm

9 3/4" Dia | 11 1/4" H
 Fits 1/2" IPS Threaded Stems and Arms

Lamp: 25 W LED
 CCT: 3K or 4K | Others
 50W MH Equivalent
 80 CRI
 120-277 V
 Non-Dimming

Finish:
 29 Oven Baked
 Powder Coated Paints
Material:
 Aluminum

Drawn:
 CB
 04/2026

Scale:
 1/4

Note:
 All dimensions are nominal.
 Actual dimensions may vary.

Approvals
