

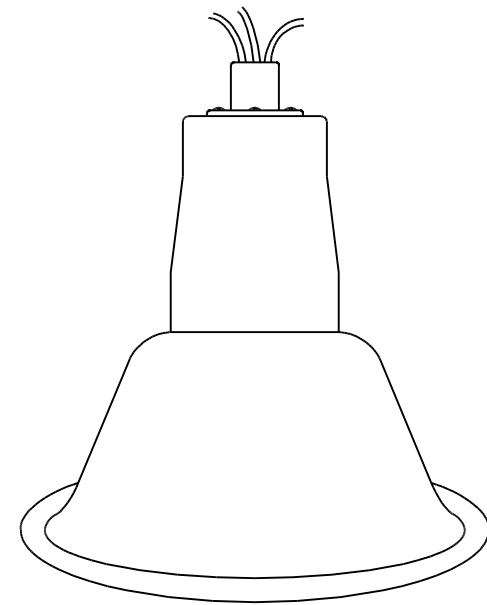
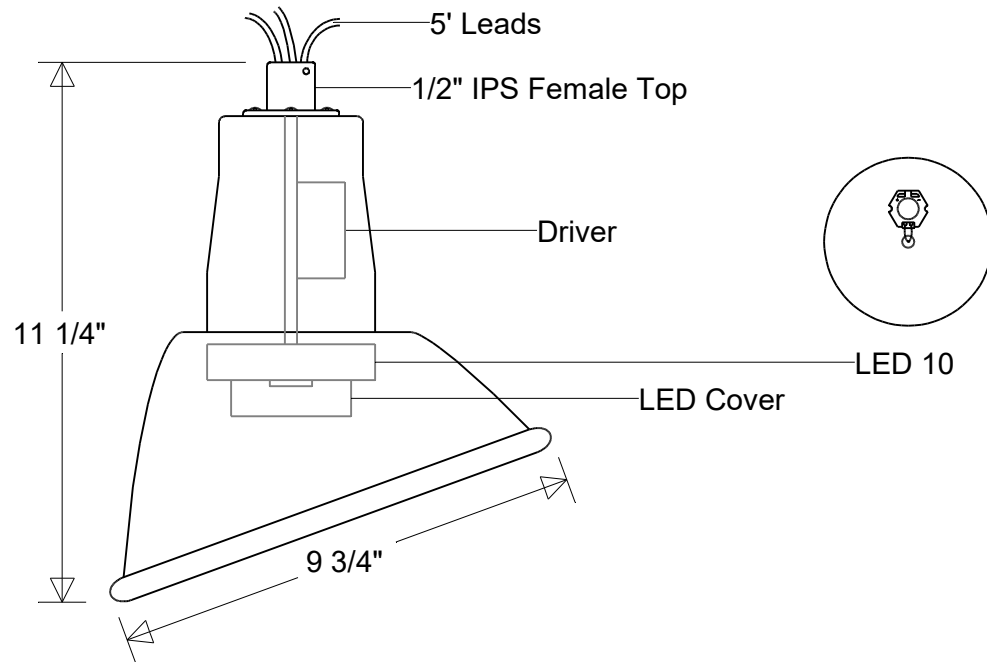


Primelite Manufacturing Corp.

407 S Main St, Freeport, NY 11520
 Phone: (516) 868-4411 | Fax: (516) 868-4609
 sales@primelite-mfg.com | www.primelite-mfg.com

PROUDLY MADE IN THE USA SINCE 1962!
"SPECIALTIES ARE OUR SPECIALTY!"

Job Info



#20A LED 10 NonDimm

9 3/4" Dia | 11 1/4" H
 Fits 1/2" IPS Threaded Stems and Arms

Lamp: 10 W LED CCT: 3K or 4K Others 100W Inc Equivalent	Finish: 29 Oven Baked Powder Coated Paints	Drawn: CB	Scale: 1/4	Approvals	
80 CRI 120-277 V Non-Dimming	Material: Aluminum	Note: All dimensions are nominal. Actual dimensions may vary.			