

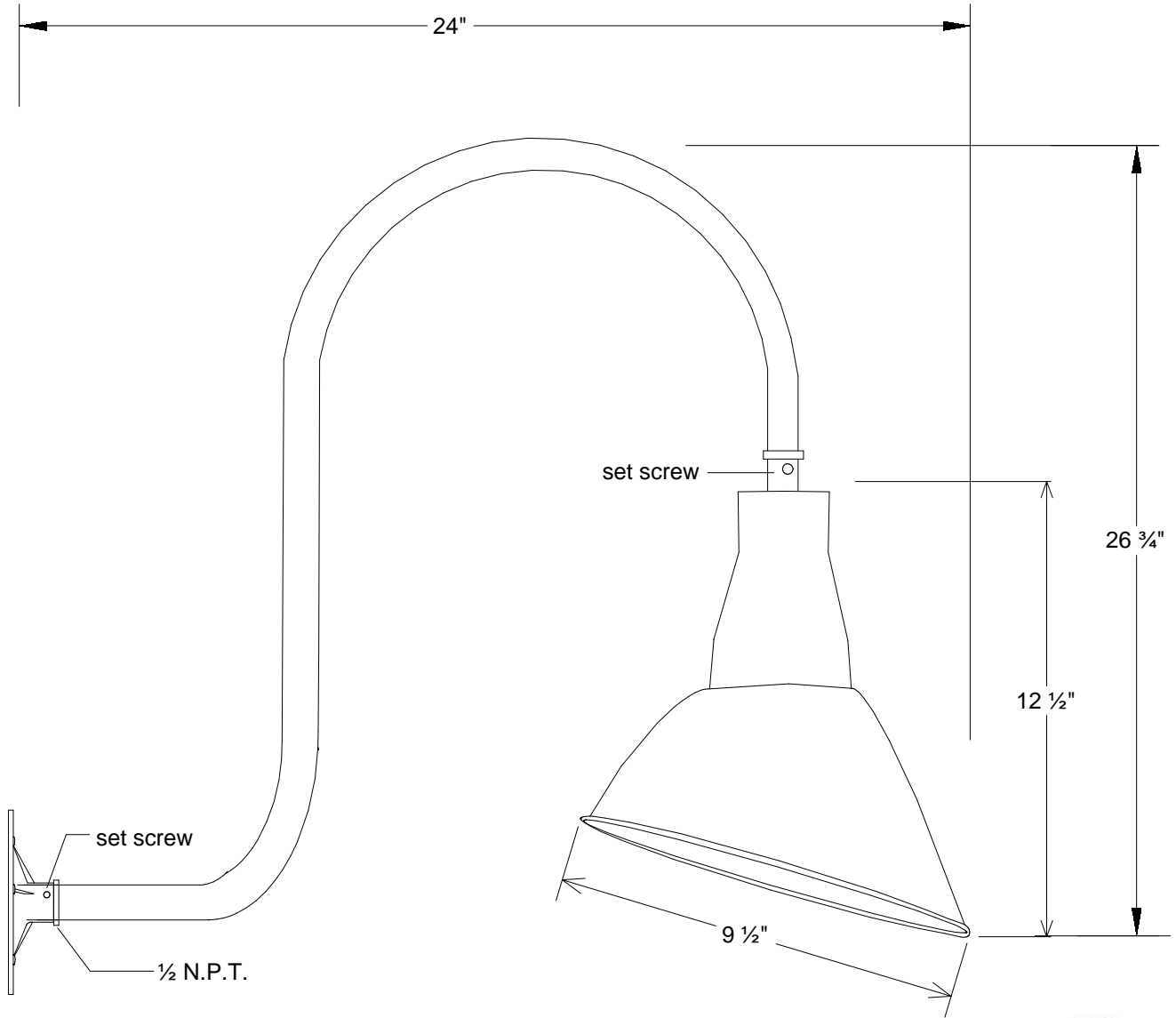


Primelite Manufacturing Corp

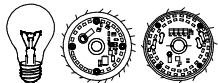
407 S Main St, Freeport, NY 11520

Phone: 516-868-4411 | Fax: 516-868-4609
 sales@primelite-mfg.com | www.primelite-mfg.com

PART # #20/874	LAMP Incandescent LED	VOLTAGE 120 V	COLOR Power Coated Paint
JOB NAME			TYPE Gooseneck



Lamp: Incandescent | LED



1/200A | LED12 | LED22

Construction: Aluminum

Unless Otherwise Specified:
 Dimensions in Inches

Name	Date
iv	05/03/18

Gooseneck #20/874

9 1/2" Dia Shade | 24" Arm

Drawn	Checked	ENG Appr.	MFR Appr.	QA	Comments

Size	Drawing No.	Rev
A	0001	A
Scale	CAD File	Sheet
		1 of 1

Revisions			Date	Approved
Zone	Rev	Description		