

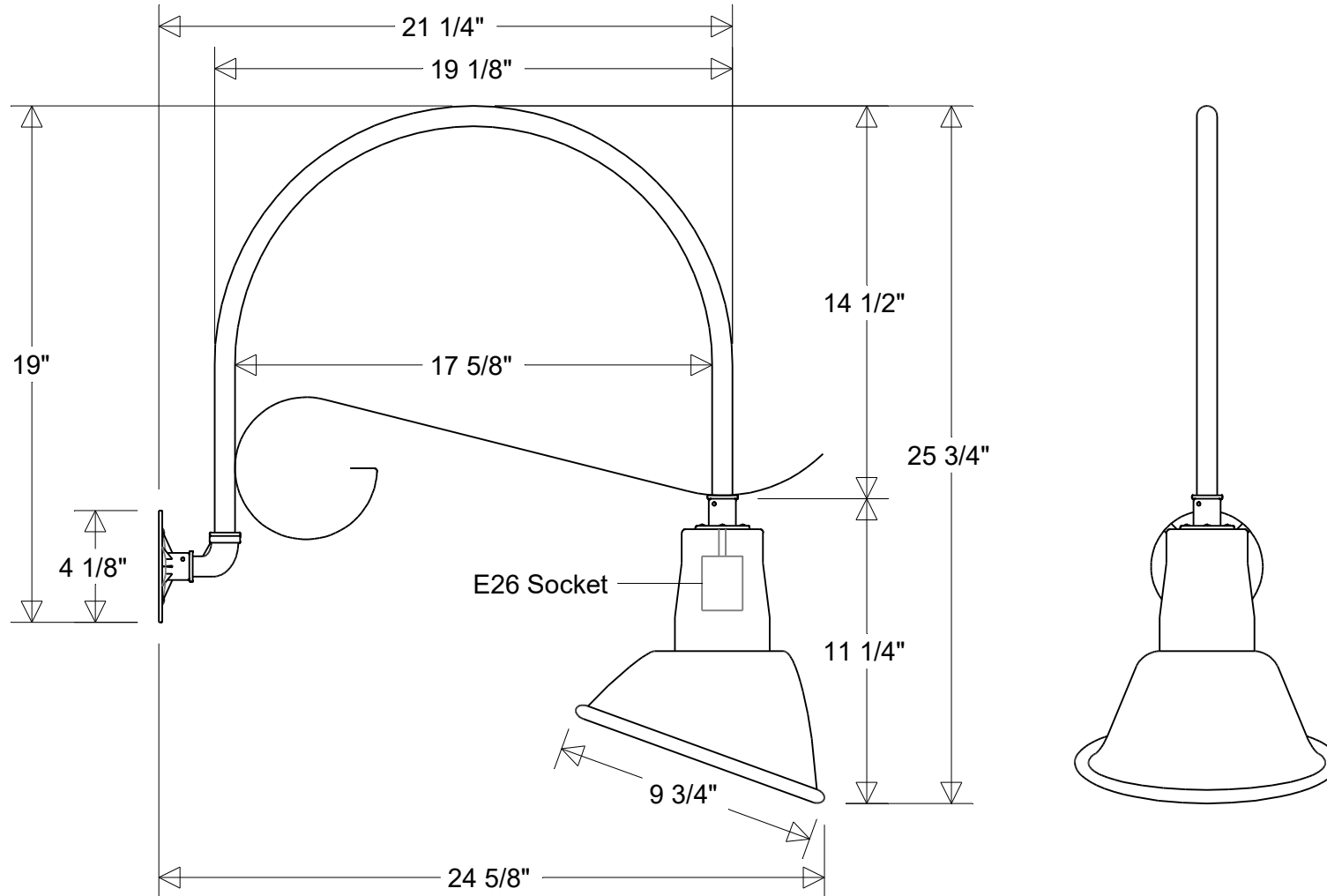


Primelite Manufacturing Corp.

407 S Main St, Freeport, NY 11520
 Phone: (516) 868-4411 | Fax: (516) 868-4609
 sales@primelite-mfg.com | www.primelite-mfg.com

PROUDLY MADE IN THE USA SINCE 1962!
"SPECIALTIES ARE OUR SPECIALTY!"

Job Info



#20/852 W SCA

9 3/4" Dia | 25 3/4" H | 24 5/8" Ext
 Shade: #20A | Arm: #852 W SCA

Lamp: E26 Socket
 Max Wattage: 200 W
 Number of Sockets: 1
 120 V

Finish:
 29 Oven Baked
 Powder Coated Paints

Material:
 Aluminum

Drawn:
 CB
 03/2026

Scale:
 1 / 6.25

Approvals

Note:
 All dimensions are nominal.
 Actual dimensions may vary.