

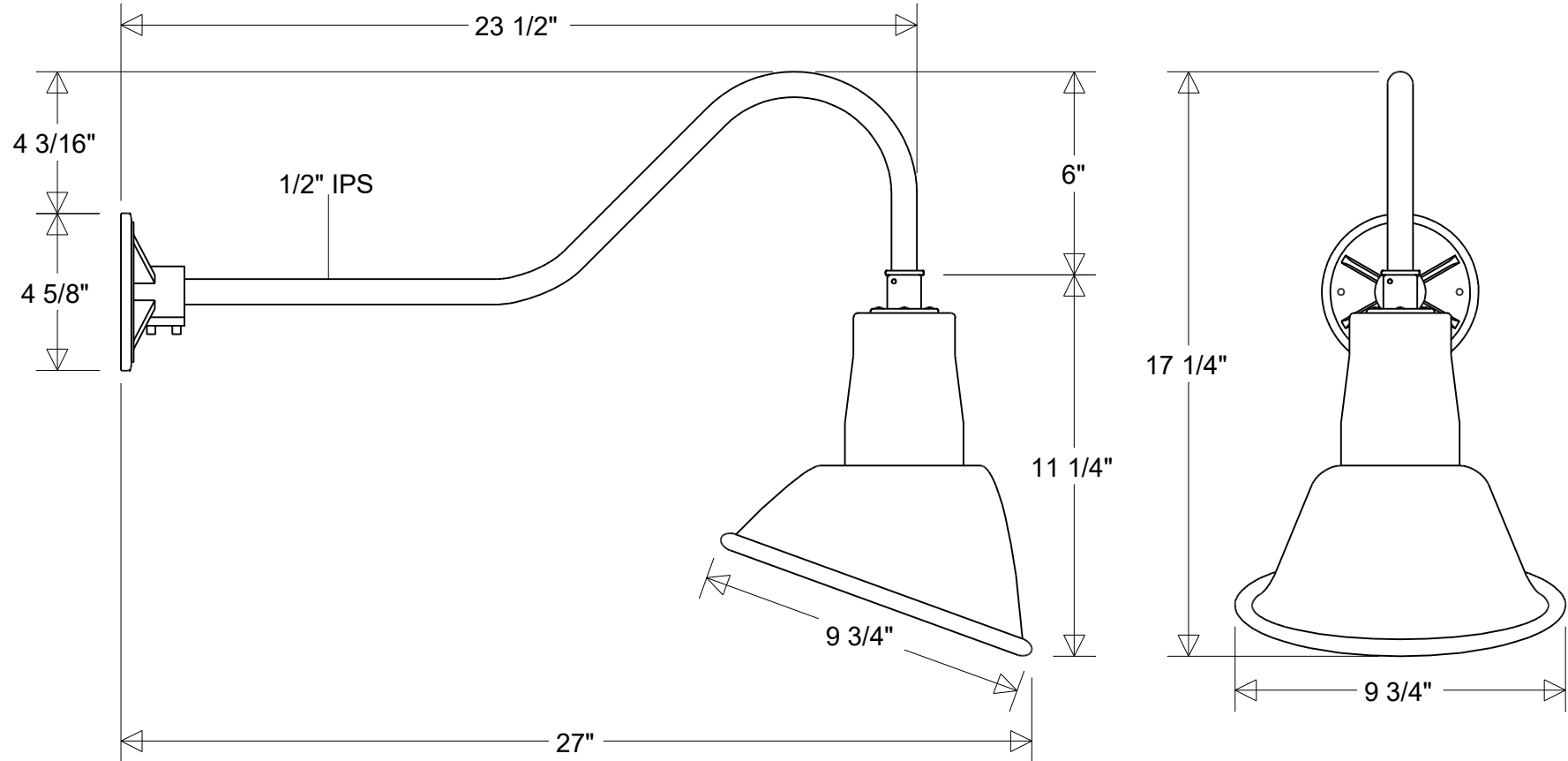


# Primelite Manufacturing Corp.

407 S Main St, Freeport, NY 11520  
 Phone: (516) 868-4411 | Fax: (516) 868-4609  
 sales@primelite-mfg.com | www.primelite-mfg.com

**PROUDLY MADE IN THE USA SINCE 1962!**  
**"SPECIALTIES ARE OUR SPECIALTY!"**

Job Info



## #20/850 HDC Series

9 3/4" Dia | 27" Ext | 17 1/4" H  
 Shade: #20A | Arm: #850 HDC

**Lamp Options:**

E26 Socket  
 LED12 | LED22  
 LED10: Dimm | NonDimm  
 LED25: Dimm | NonDimm  
 Others Available

**Finish:**

29 Oven Baked  
 Powder Coated Paints

**Material:**  
 Aluminum

**Drawn:**

CB  
 04/2026

**Scale:**

1/5

**Approvals**

**Note:**  
 All dimensions are nominal.  
 Actual dimensions may vary.

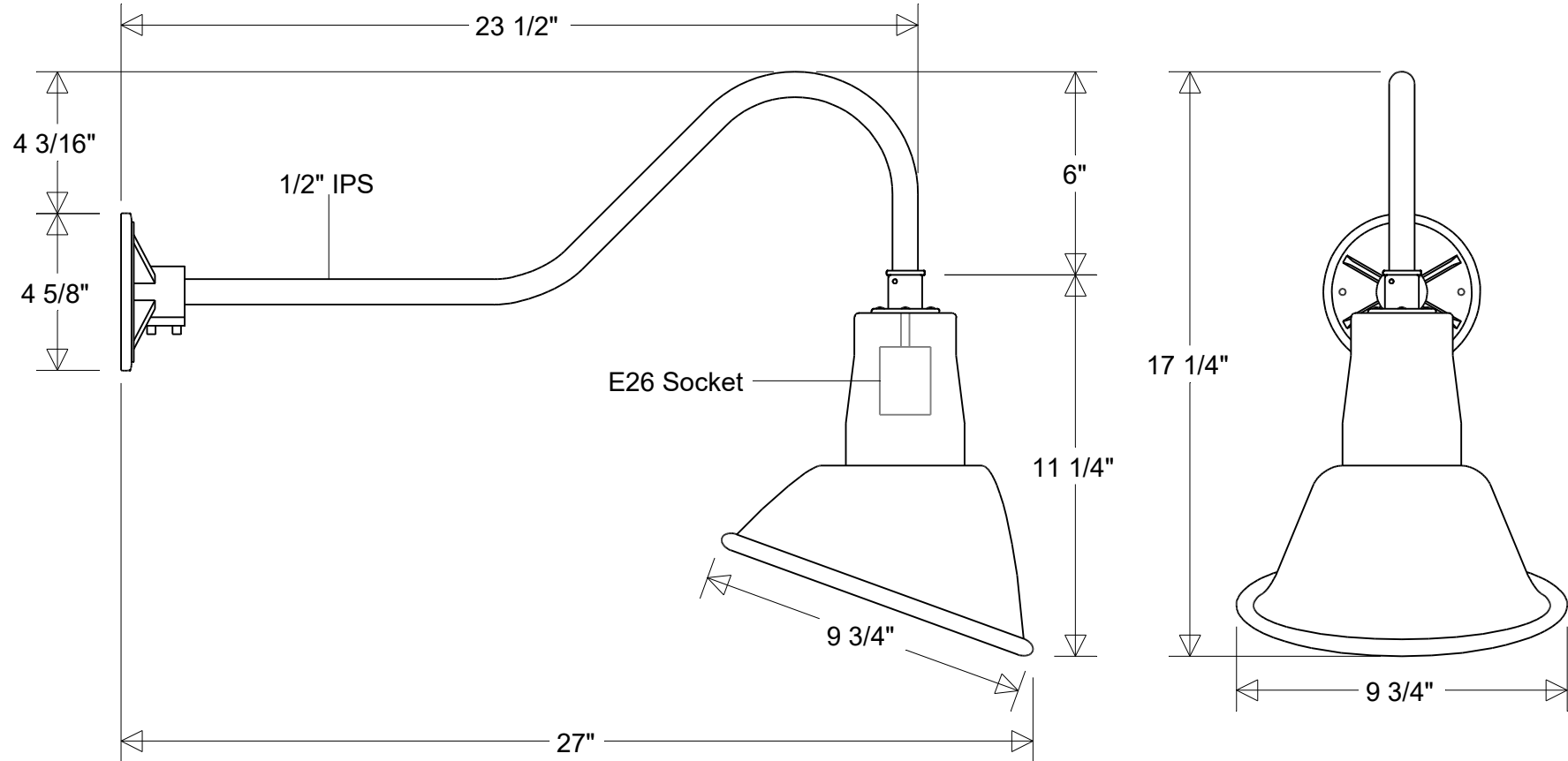


# Primelite Manufacturing Corp.

407 S Main St, Freeport, NY 11520  
 Phone: (516) 868-4411 | Fax: (516) 868-4609  
 sales@primelite-mfg.com | www.primelite-mfg.com

**PROUDLY MADE IN THE USA SINCE 1962!**  
**"SPECIALTIES ARE OUR SPECIALTY!"**

Job Info



## #20/850 HDC

9 3/4" Dia | 27" Ext | 17 1/4" H  
 Shade: #20A | Arm: #850 HDC

<b>Lamp: E26 Socket</b> Max Wattage: 200 W Number of Sockets: 1 120 V	<b>Finish:</b> 29 Oven Baked Powder Coated Paints <b>Material:</b> Aluminum	<b>Drawn:</b> CB 04/2026 <b>Note:</b> All dimensions are nominal. Actual dimensions may vary.	<b>Scale:</b> 1/5		<b>Approvals</b>	

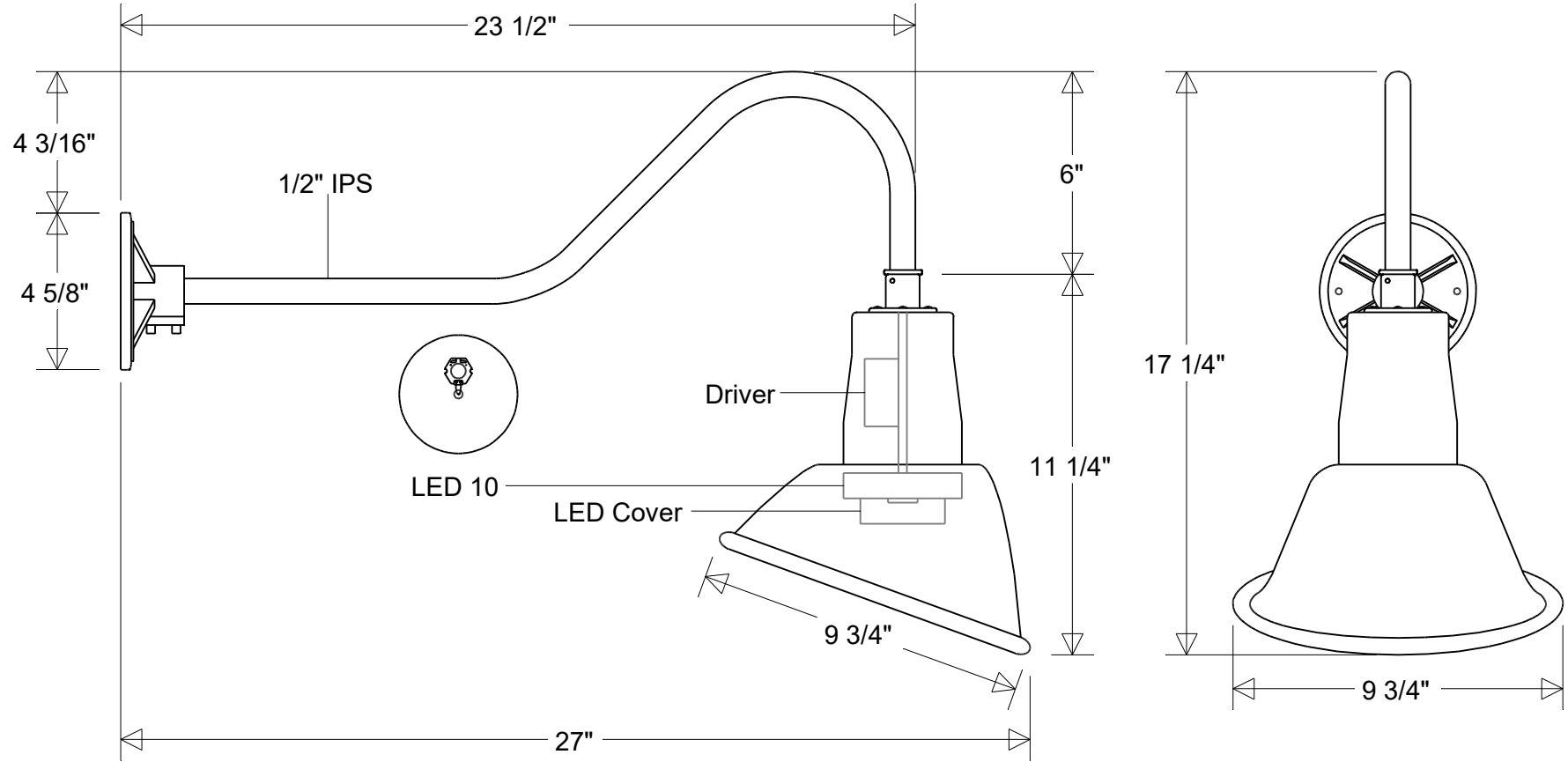


# Primelite Manufacturing Corp.

407 S Main St, Freeport, NY 11520  
 Phone: (516) 868-4411 | Fax: (516) 868-4609  
 sales@primelite-mfg.com | www.primelite-mfg.com

**PROUDLY MADE IN THE USA SINCE 1962!**  
**"SPECIALTIES ARE OUR SPECIALTY!"**

Job Info



## #20/850 HDC LED 10 Dimm

9 3/4" Dia | 27" Ext | 17 1/4" H

Shade: #20A LED 10 Dimm | Arm: #850 HDC

**Lamp: 10 W LED**  
 CCT: 3K or 4K | Others  
 100W Inc Equivalent  
 80 CRI  
 120-277 V  
 0-10 V Dimming

**Finish:**  
 29 Oven Baked  
 Powder Coated Paints  
**Material:**  
 Aluminum

**Drawn:**  
 CB  
 04/2026

**Scale:**  
 1/5

**Note:**  
 All dimensions are nominal.  
 Actual dimensions may vary.

Approvals

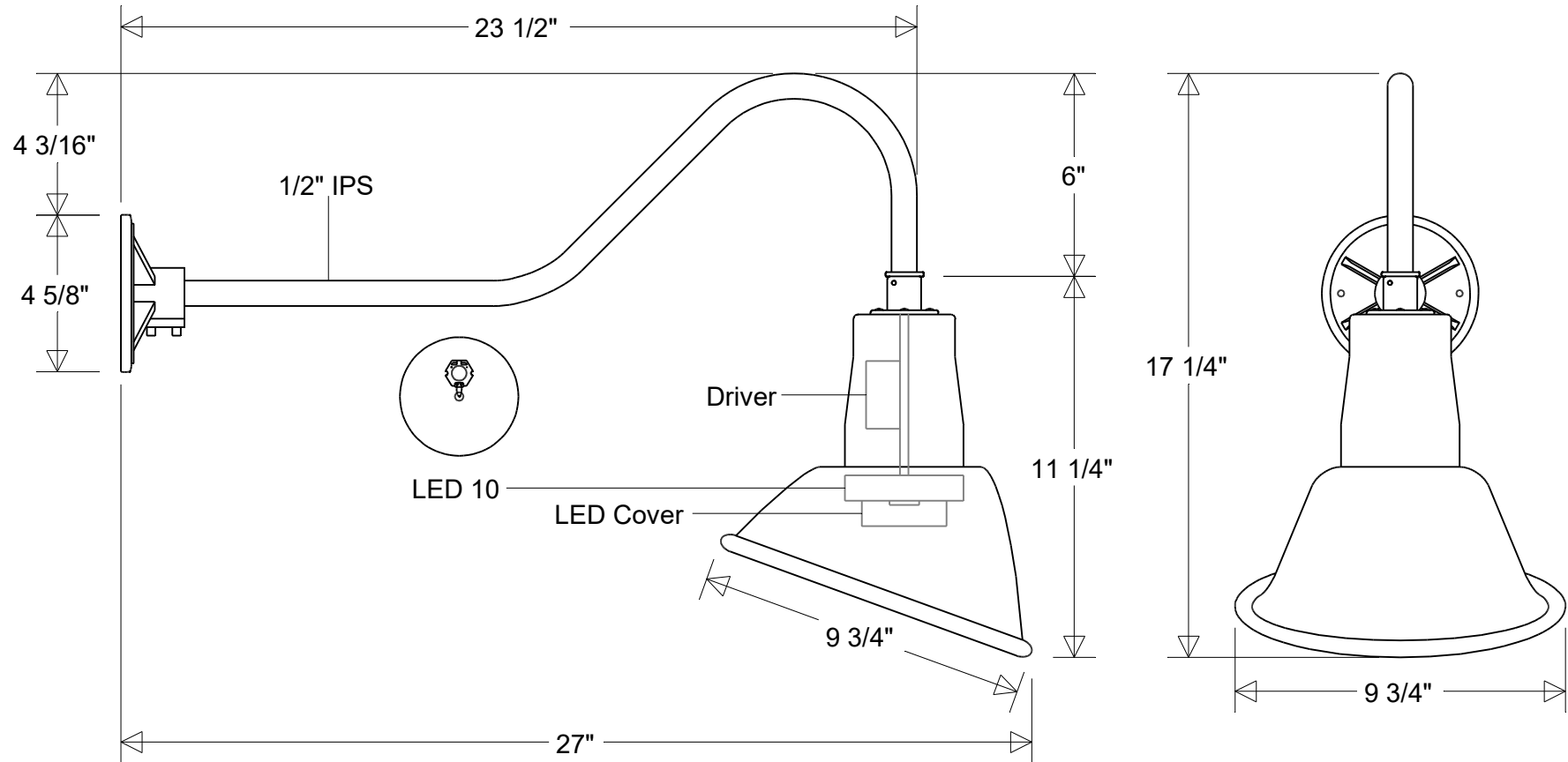



# Primelite Manufacturing Corp.

407 S Main St, Freeport, NY 11520  
 Phone: (516) 868-4411 | Fax: (516) 868-4609  
 sales@primelite-mfg.com | www.primelite-mfg.com

**PROUDLY MADE IN THE USA SINCE 1962!**  
**"SPECIALTIES ARE OUR SPECIALTY!"**

Job Info



## #20/850 HDC LED 10 NonDimm

9 3/4" Dia | 27" Ext | 17 1/4" H

Shade: #20A LED 10 NonDimm | Arm: #850 HDC

**Lamp: 10 W LED**  
 CCT: 3K or 4K | Others  
 100W Inc Equivalent  
 80 CRI  
 120-277 V  
 Non-Dimming

**Finish:**  
 29 Oven Baked  
 Powder Coated Paints  
**Material:**  
 Aluminum

**Drawn:**  
 CB  
 04/2026

**Scale:**  
 1/5

**Note:**  
 All dimensions are nominal.  
 Actual dimensions may vary.

Approvals

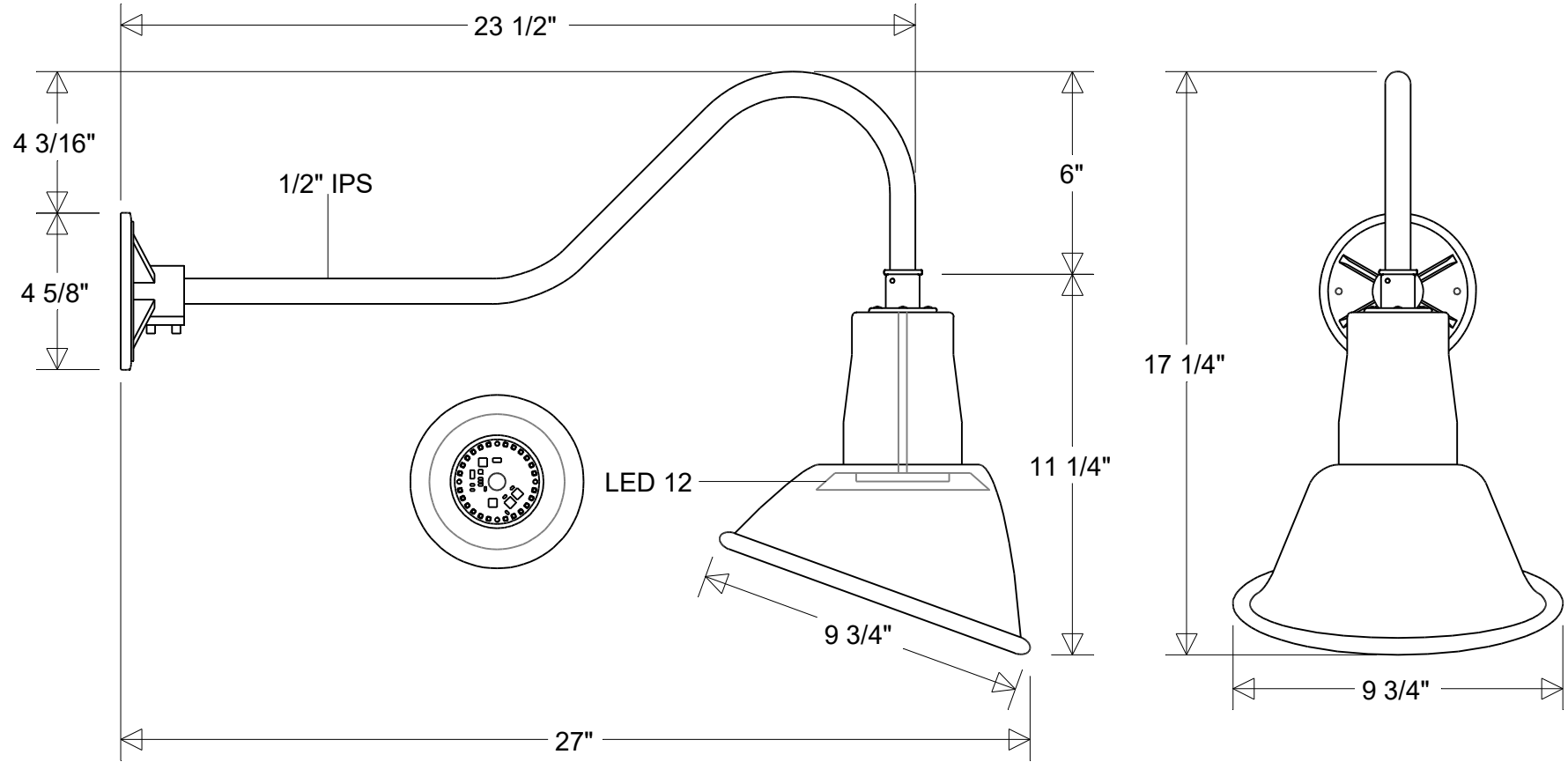



# Primelite Manufacturing Corp.

407 S Main St, Freeport, NY 11520  
 Phone: (516) 868-4411 | Fax: (516) 868-4609  
 sales@primelite-mfg.com | www.primelite-mfg.com

**PROUDLY MADE IN THE USA SINCE 1962!**  
**"SPECIALTIES ARE OUR SPECIALTY!"**

Job Info



## #20/850 HDC LED 12

9 3/4" Dia | 27" Ext | 17 1/4" H  
 Shade: #20A LED 12 | Arm: #850 HDC

**Lamp:** 12 W LED  
 CCT: 3K or 4K  
 75W Inc Equivalent  
 80 CRI  
 120V  
 Electronic Dimming

**Finish:**  
 29 Oven Baked  
 Powder Coated Paints  
**Material:**  
 Aluminum

**Drawn:**  
 CB  
 04/2026

**Scale:**  
 1/5

**Note:**  
 All dimensions are nominal.  
 Actual dimensions may vary.

Approvals

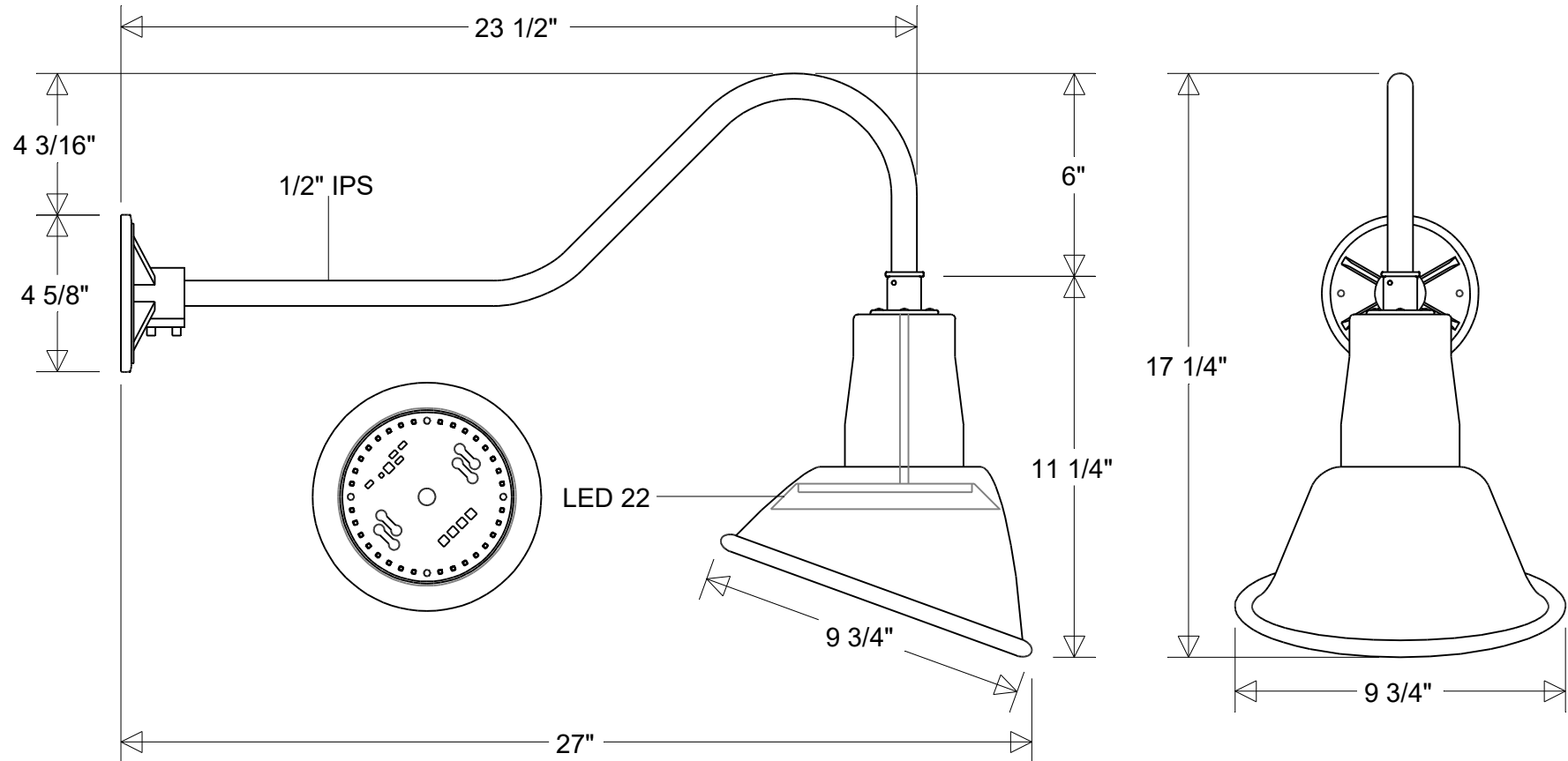



# Primelite Manufacturing Corp.

407 S Main St, Freeport, NY 11520  
 Phone: (516) 868-4411 | Fax: (516) 868-4609  
 sales@primelite-mfg.com | www.primelite-mfg.com

**PROUDLY MADE IN THE USA SINCE 1962!**  
**"SPECIALTIES ARE OUR SPECIALTY!"**

Job Info



## #20/850 HDC LED 22

9 3/4" Dia | 27" Ext | 17 1/4" H  
 Shade: #20A LED 22 | Arm: #850 HDC

**Lamp: 22 W LED**  
 CCT: 3K or 4K  
 125W Inc Equivalent  
 80 CRI  
 120V  
 Electronic Dimming

**Finish:**  
 29 Oven Baked  
 Powder Coated Paints  
**Material:**  
 Aluminum

**Drawn:**  
 CB  
 04/2026  
**Scale:**  
 1/5  
**Note:**  
 All dimensions are nominal.  
 Actual dimensions may vary.

Approvals

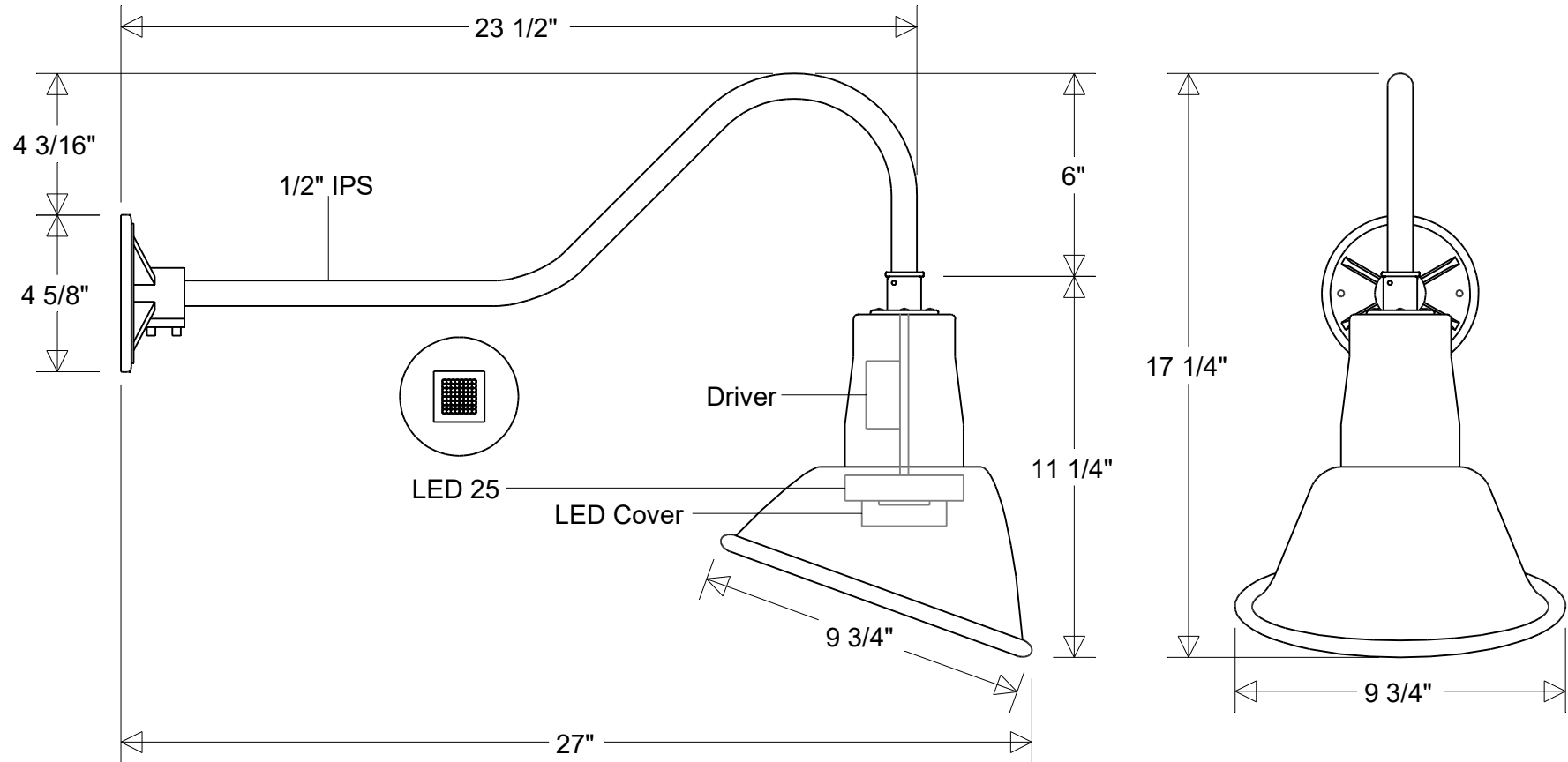



# Primelite Manufacturing Corp.

407 S Main St, Freeport, NY 11520  
 Phone: (516) 868-4411 | Fax: (516) 868-4609  
 sales@primelite-mfg.com | www.primelite-mfg.com

**PROUDLY MADE IN THE USA SINCE 1962!**  
**"SPECIALTIES ARE OUR SPECIALTY!"**

Job Info



## #20/850 HDC LED 25 Dimm

9 3/4" Dia | 27" Ext | 17 1/4" H

Shade: #20A LED 25 Dimm | Arm: #850 HDC

**Lamp: 25 W LED**  
 CCT: 3K or 4K | Others  
 50W MH Equivalent  
 80 CRI  
 120-277 V  
 0-10 V Dimming

**Finish:**  
 29 Oven Baked  
 Powder Coated Paints  
**Material:**  
 Aluminum

**Drawn:**  
 CB  
 04/2026

**Scale:**  
 1/5

**Note:**  
 All dimensions are nominal.  
 Actual dimensions may vary.

Approvals

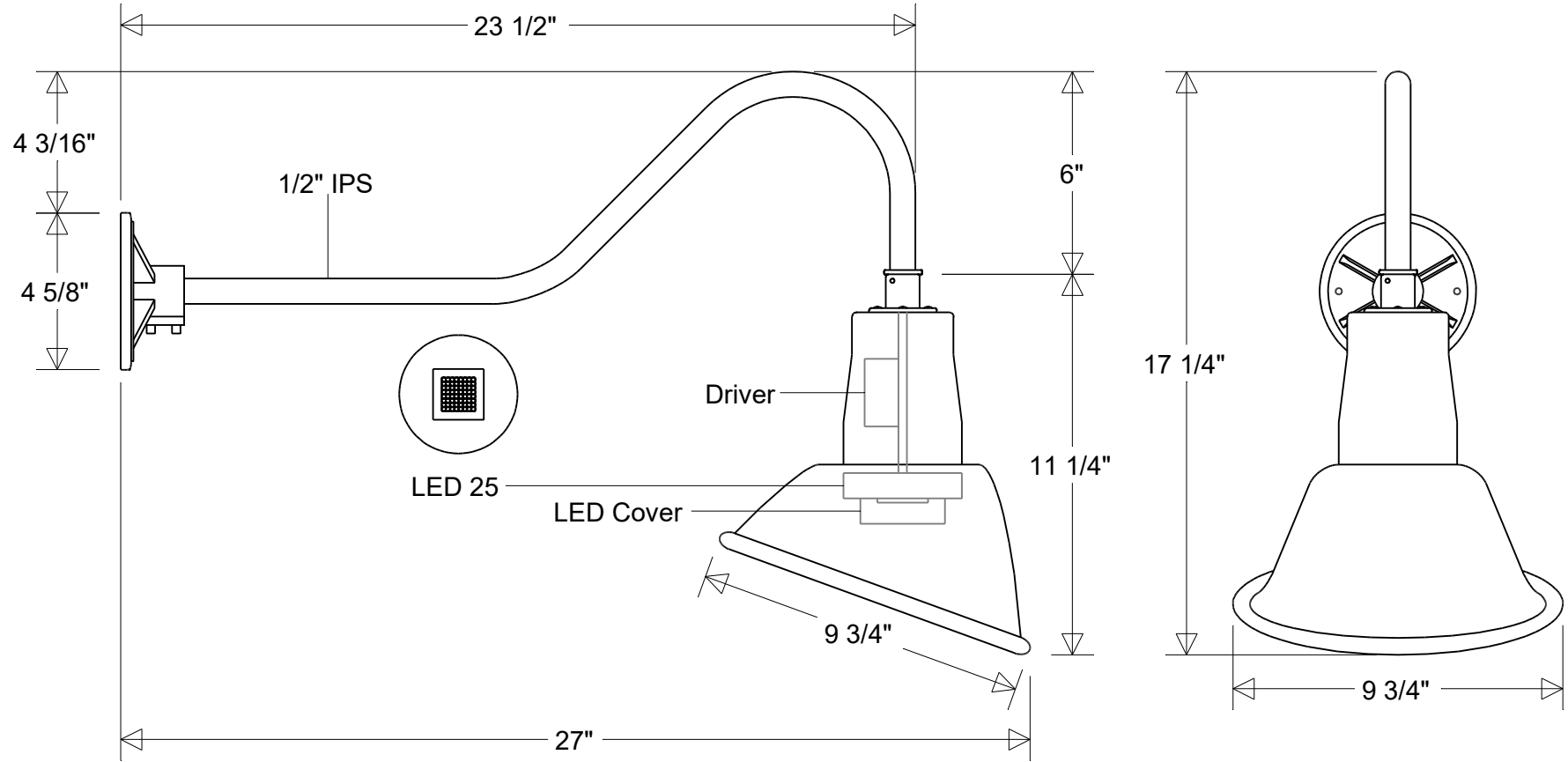



# Primelite Manufacturing Corp.

407 S Main St, Freeport, NY 11520  
 Phone: (516) 868-4411 | Fax: (516) 868-4609  
 sales@primelite-mfg.com | www.primelite-mfg.com

**PROUDLY MADE IN THE USA SINCE 1962!**  
**"SPECIALTIES ARE OUR SPECIALTY!"**

Job Info



<h2>#20/850 HDC LED 25 NonDimm</h2> <p>9 3/4" Dia   27" Ext   17 1/4" H</p> <p>Shade: #20A LED 25 NonDimm   Arm: #850 HDC</p>	<b>Lamp:</b> 25 W LED CCT: 3K or 4K   Others 50W MH Equivalent	<b>Finish:</b> 29 Oven Baked Powder Coated Paints	<b>Drawn:</b> CB 04/2026	<b>Scale:</b> 1/5	<b>Approvals</b>
	80 CRI 120-277 V Non-Dimming	<b>Material:</b> Aluminum	<b>Note:</b> All dimensions are nominal. Actual dimensions may vary.		