

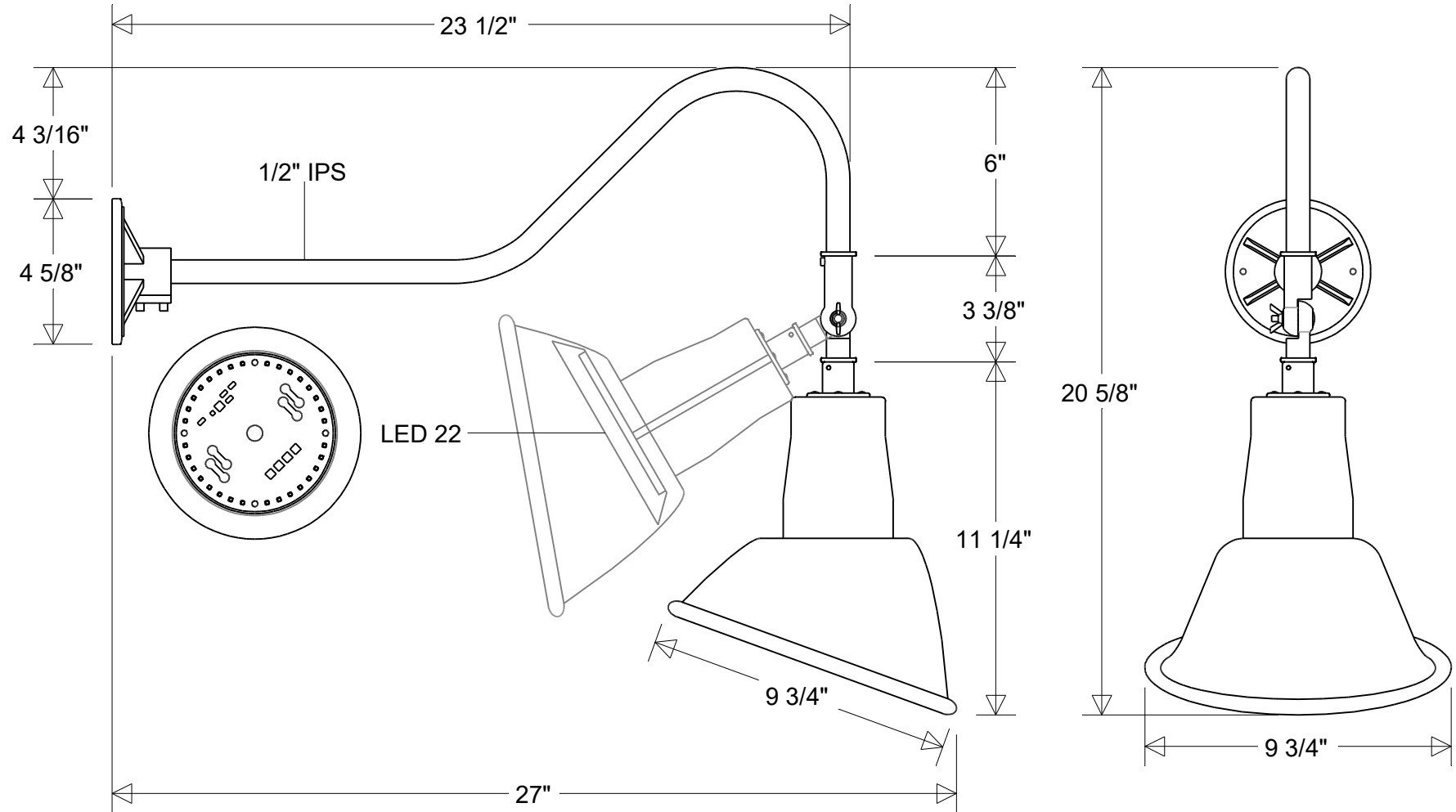


# Primelite Manufacturing Corp.

407 S Main St, Freeport, NY 11520  
 Phone: (516) 868-4411 | Fax: (516) 868-4609  
 sales@primelite-mfg.com | www.primelite-mfg.com

**PROUDLY MADE IN THE USA SINCE 1962!**  
**"SPECIALTIES ARE OUR SPECIALTY!"**

Job Info



## #20/850 ESW HDC LED 22

9 3/4" Dia | 27" Ext | 20 5/8" H

Shade: #20A LED 22 | Arm: #850 ESW HDC

**Lamp: 22 W LED**

CCT: 3K or 4K  
 125W Inc Equivalent

80 CRI  
 120V  
 Electronic Dimming

**Finish:**

29 Oven Baked  
 Powder Coated Paints

**Material:**  
 Aluminum

**Drawn:**

CB  
 04/2026

**Note:**

All dimensions are nominal.  
 Actual dimensions may vary.

**Scale:**

1/5

**Approvals**
