

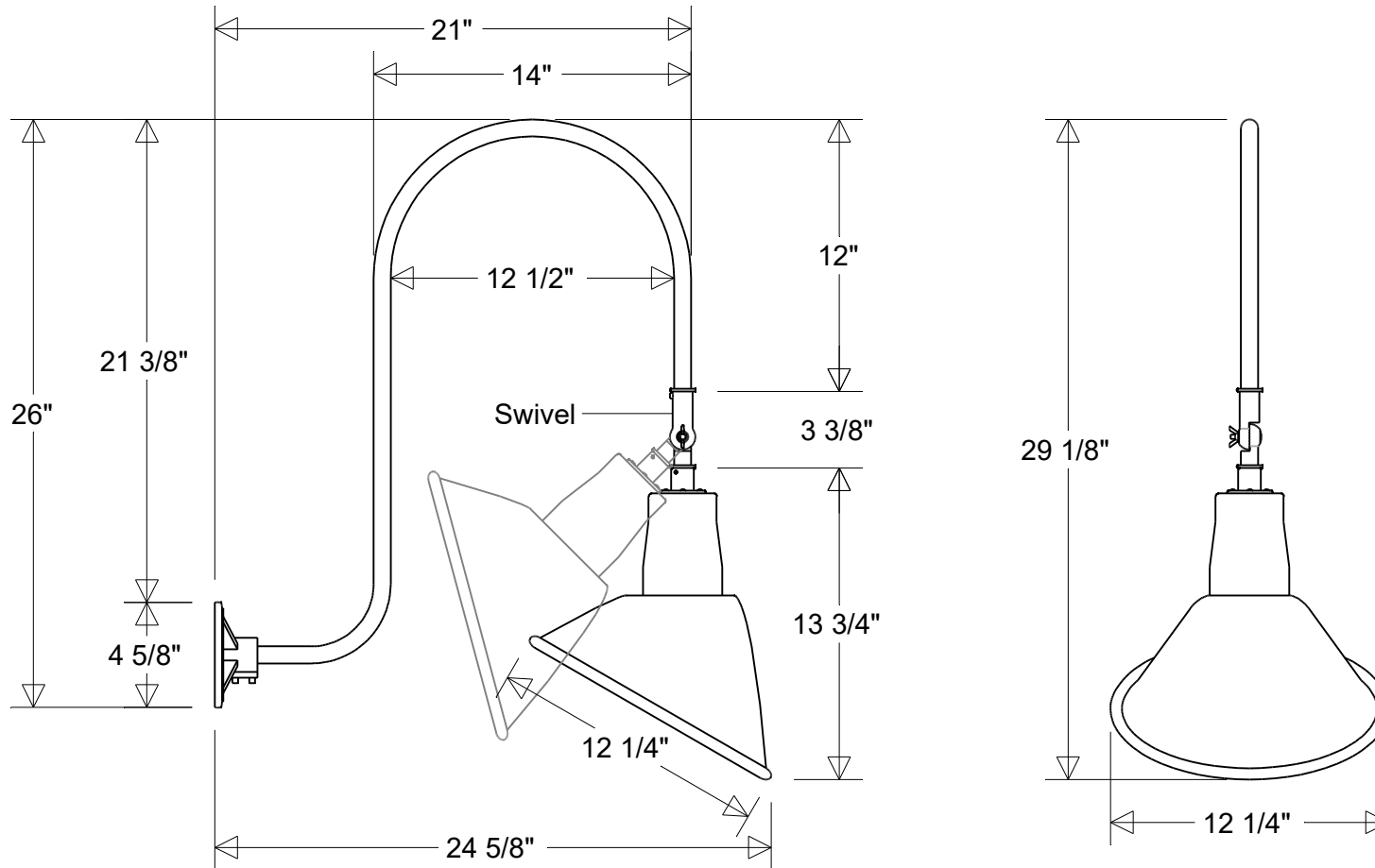


Primelite Manufacturing Corp.

407 S Main St, Freeport, NY 11520
 Phone: (516) 868-4411 | Fax: (516) 868-4609
 sales@primelite-mfg.com | www.primelite-mfg.com

PROUDLY MADE IN THE USA SINCE 1962!
"SPECIALTIES ARE OUR SPECIALTY!"

Job Info



#20/12-874 ESW Series

12 1/4" Dia | 24 5/8" Ext | 29 1/8" H
 Shade: #20/12A | Arm: #874 ESW

Lamp Options:

E26 Socket
 LED12 | LED22
 Others Available

Finish:

29 Oven Baked
 Powder Coated Paints

Material:

Aluminum

Drawn:

CB
 04/2026

Note:

All dimensions are nominal.
 Actual dimensions may vary.

Scale:

1/8

Approvals

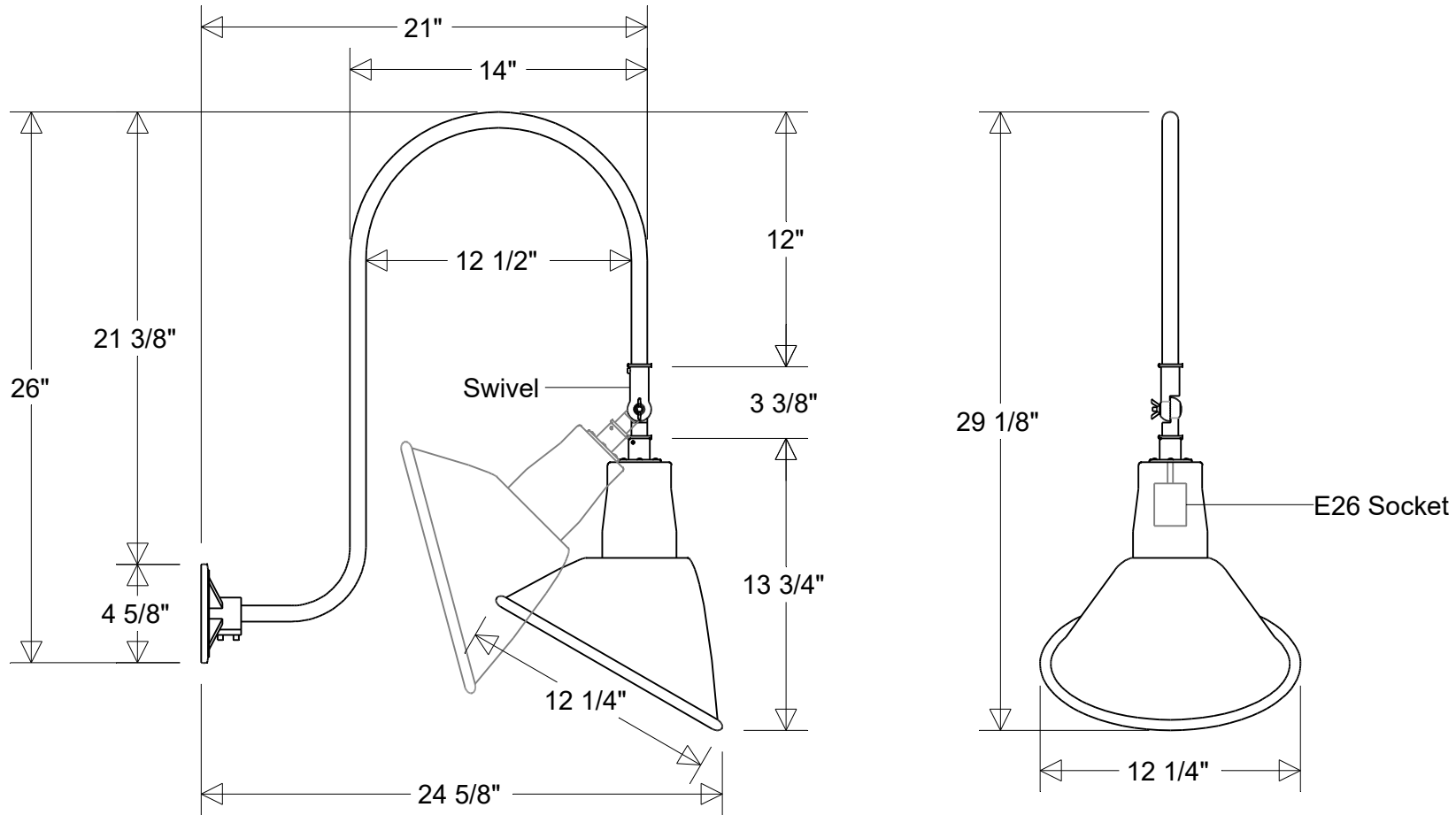


Primelite Manufacturing Corp.

407 S Main St, Freeport, NY 11520
 Phone: (516) 868-4411 | Fax: (516) 868-4609
 sales@primelite-mfg.com | www.primelite-mfg.com

PROUDLY MADE IN THE USA SINCE 1962!
"SPECIALTIES ARE OUR SPECIALTY!"

Job Info



#20/12-874 ESW

12 1/4" Dia | 24 5/8" Ext | 29 1/8" H
 Shade: #20/12A | Arm: #874 ESW

Lamp: E26 Socket Max Wattage: 200 W Number of Sockets: 1 120 V	Finish: 29 Oven Baked Powder Coated Paints	Drawn: CB 04/2026	Scale: 1/8	Approvals
	Material: Aluminum	Note: All dimensions are nominal. Actual dimensions may vary.		

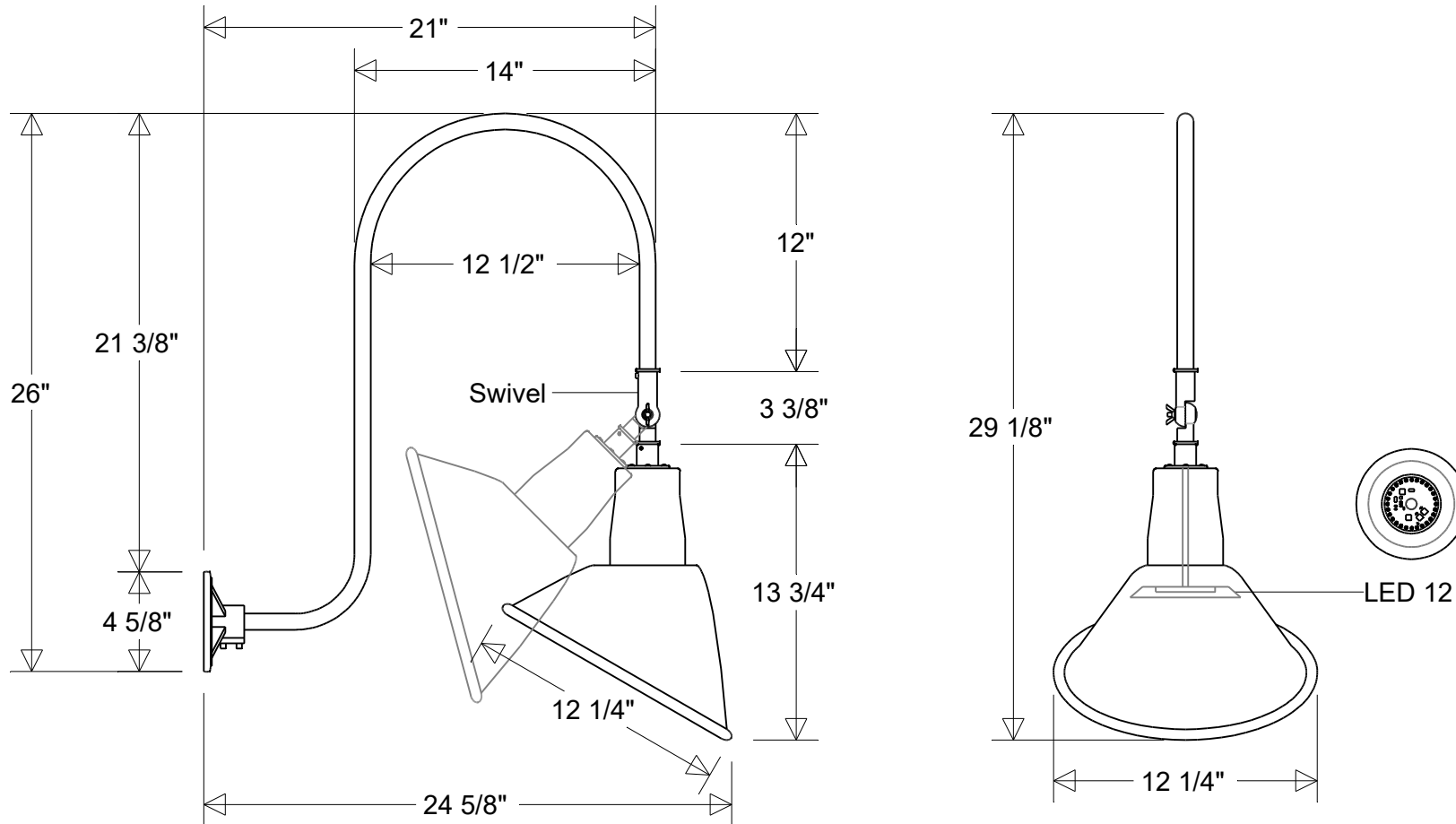


Primelite Manufacturing Corp.

407 S Main St, Freeport, NY 11520
 Phone: (516) 868-4411 | Fax: (516) 868-4609
 sales@primelite-mfg.com | www.primelite-mfg.com

PROUDLY MADE IN THE USA SINCE 1962!
"SPECIALTIES ARE OUR SPECIALTY!"

Job Info



#20/12-874 ESW LED 12

12 1/4" Dia | 24 5/8" Ext | 29 1/8" H

Shade: #20/12A LED 12 | Arm: #874 ESW

Lamp: 12 W LED
 CCT: 3K or 4K
 75W Inc Equivalent
 80 CRI
 120V
 Electronic Dimming

Finish:
 29 Oven Baked
 Powder Coated Paints
Material:
 Aluminum

Drawn:
 CB
 04/2026

Scale:
 1/8

Note:
 All dimensions are nominal.
 Actual dimensions may vary.

Approvals

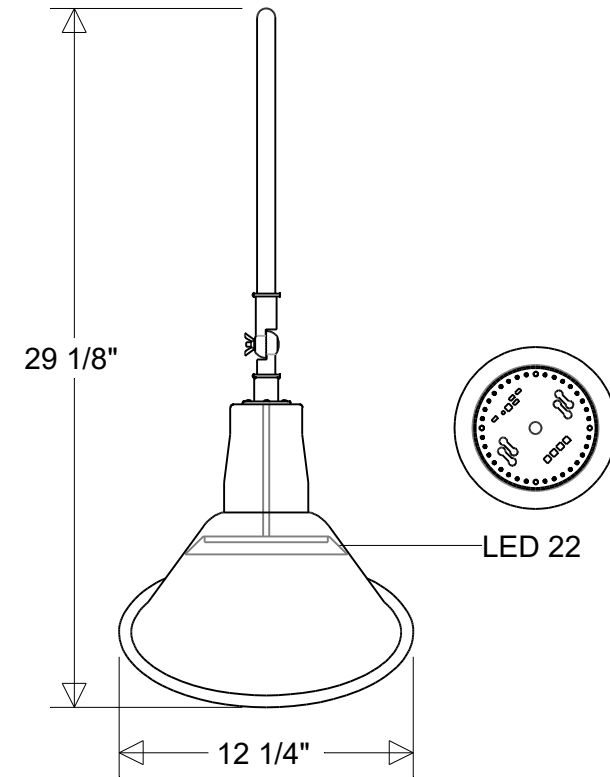
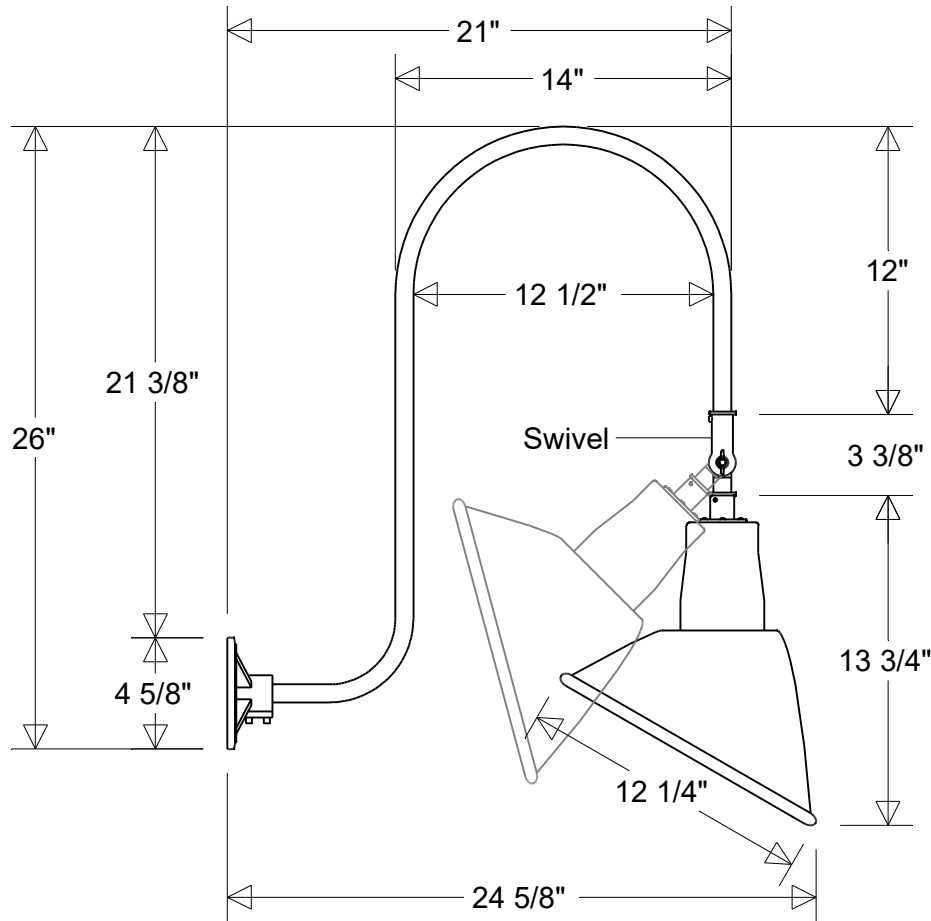


Primelite Manufacturing Corp.

407 S Main St, Freeport, NY 11520
 Phone: (516) 868-4411 | Fax: (516) 868-4609
 sales@primelite-mfg.com | www.primelite-mfg.com

PROUDLY MADE IN THE USA SINCE 1962!
"SPECIALTIES ARE OUR SPECIALTY!"

Job Info



#20/12-874 ESW LED 22

12 1/4" Dia | 24 5/8" Ext | 29 1/8" H
 Shade: #20/12A LED 22 | Arm: #874 ESW

Lamp: 22 W LED
 CCT: 3K or 4K
 125W Inc Equivalent
 80 CRI
 120V
 Electronic Dimming

Finish:
 29 Oven Baked
 Powder Coated Paints
Material:
 Aluminum

Drawn:
 CB
 04/2026

Scale:
 1/8

Note:
 All dimensions are nominal.
 Actual dimensions may vary.

Approvals
