

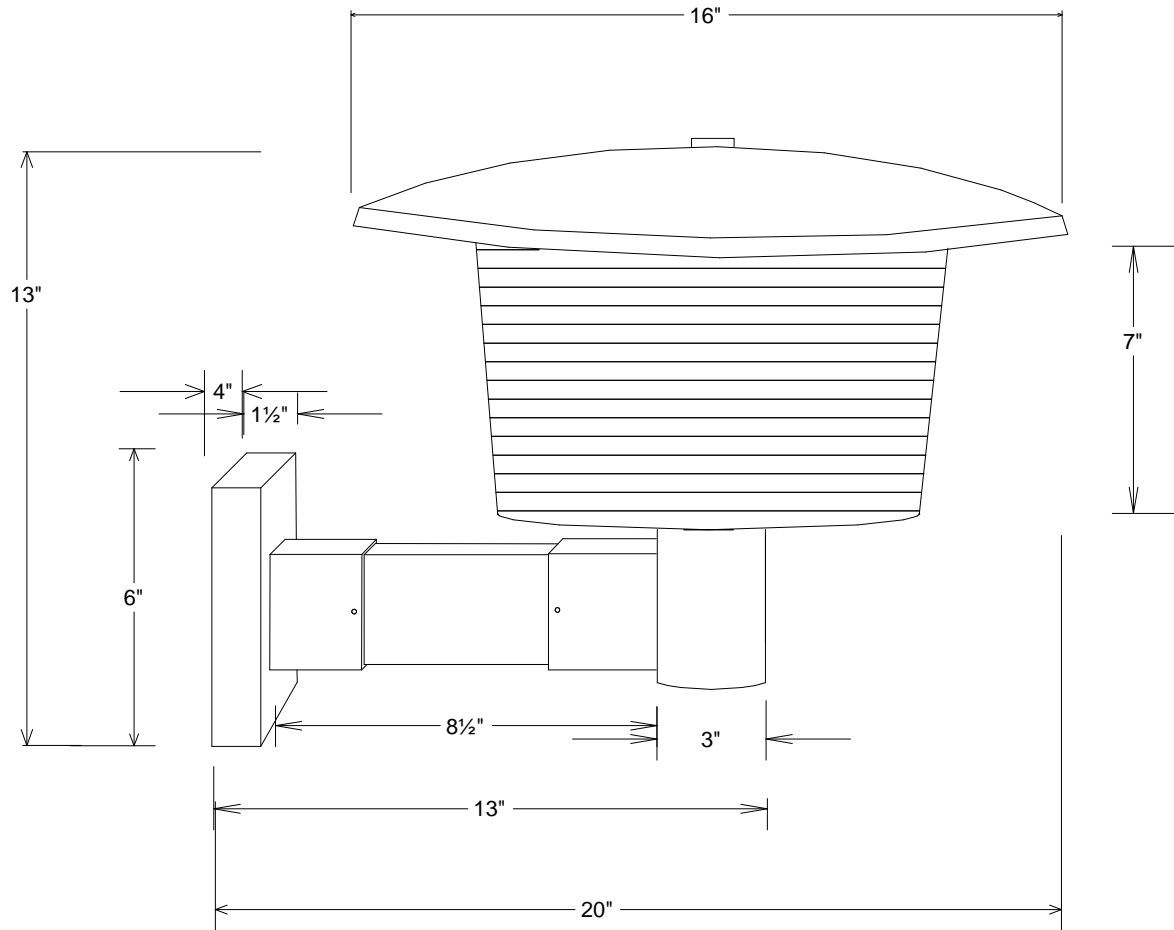


Primelite Manufacturing Corp

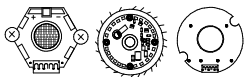
407 S Main St, Freeport, NY 11520

Phone: 516-868-4411 | Fax: 516-868-4609
 sales@primelite-mfg.com | www.primelite-mfg.com

PART # #1981	LAMP LED	VOLTAGE 120 V	COLOR Powder Coated Paint
JOB NAME			TYPE Lantern



Lamp: LED



LED10 | LED12 | LED18

Construction: Aluminum } Acrylic

Unless Otherwise Specified:
Dimensions in Inches

	Name	Date	Lantern #1981 LED		
Drawn	lv	05/05/18			
Checked			LED40 LED48 LED72		
ENG Appr.			[LED10 x 4 LED12 x 4 LED18 x 4]		
MFR Appr.			Size	Drawing No.	Rev
QA			A	0001	A
Comments			Scale	CAD File	Sheet
					1 of 1

Revisions				
Zone	Rev	Description	Date	Approved