

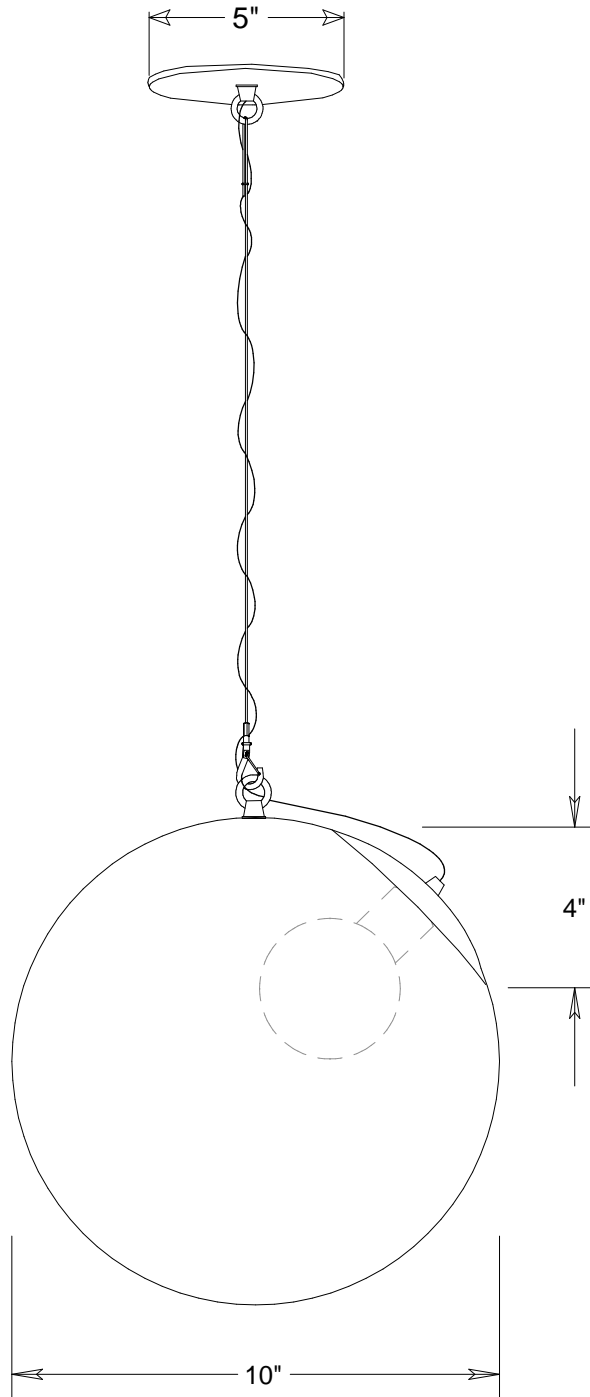


Primelite Manufacturing Corp

407 S Main St, Freeport, NY 11520

Phone: 516-868-4411 | Fax: 516-868-4609
 sales@primelite-mfg.com | www.primelite-mfg.com

PART # #190	LAMP Incandescent LED	VOLTAGE 120 V	COLOR Powder Coated Paint
JOB NAME			TYPE Globe Pendant



Unless Otherwise Specified:
 Dimensions in Inches
 Tolerances: Fractional ±
 Angular: Mach ± Bend ±
 Two Place Decimal ±
 Three Place Decimal ±

Construction: Aluminum, acrylic Lamp: Incandescent LED	Name	Date	<h2 style="text-align: center;">Globe Pendant #190</h2>			
	Drawn	iv				02/21/18
	Checked			<h3 style="text-align: center;">10" Acrylic Globe</h3> <p style="text-align: center;">Smoke (-1) White (-3) Clear (-4)</p>		
	ENG Appr.					
	MFR Appr.			Size	Drawing No.	Rev
	QA			A	0001	A
	Globe:			Scale	CAD File	Sheet
	Smoke (-1) White (-3) Clear (-4)					1 of 1

Revisions				
Zone	Rev	Description	Date	Approved