

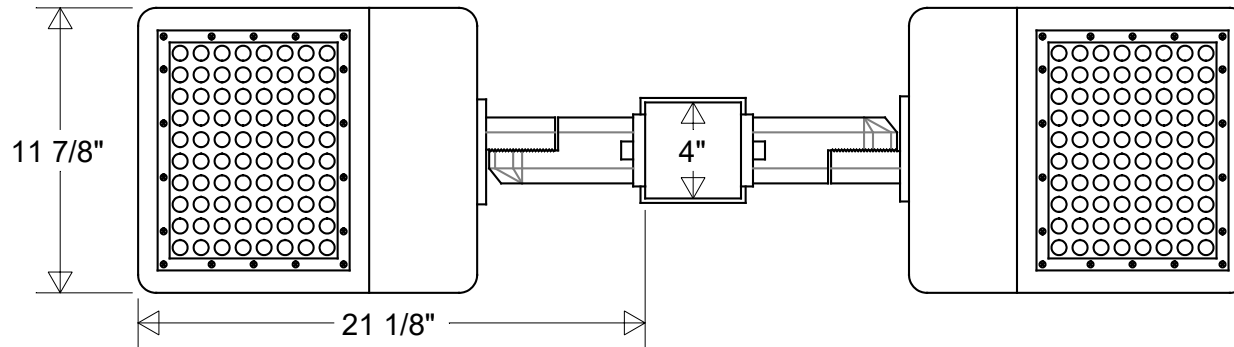
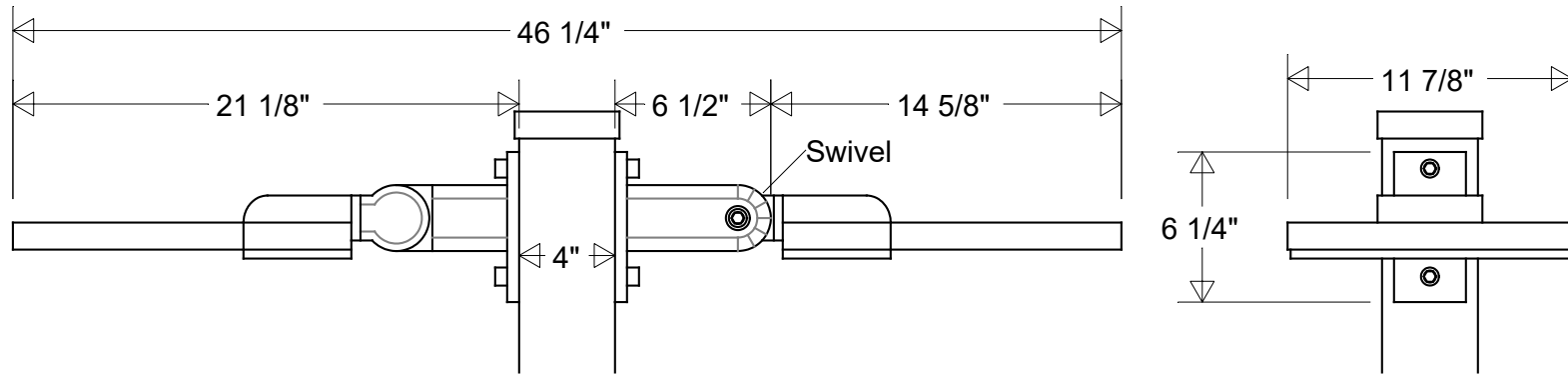


# Primelite Manufacturing Corp

407 S Main St, Freeport, NY 11520

Phone: 516-868-4411 | Fax: 516-868-4609  
 sales@primelite-mfg.com | www.primelite-mfg.com

<b>PART #</b> #1573 LED T2	<b>LAMP</b> Built-In LED	<b>VOLTAGE</b> 120-277 V	<b>COLOR</b> Bronze
<b>JOB NAME</b>			<b>TYPE</b> Post Light



<b>Lamp: LED Switchable</b> Option 1: 240 W = 40,000 Lumens Option 2: 200 W = 35,000 Lumens Option 3: 150 W = 28,000 Lumens 0-10V Dimmable 120-277 V T3 Distribution	<b>Initials</b>	<b>Date</b>	<b>#1573 LED T2</b>			
	<b>Drawn</b>	CB				10/2023
	<b>Checked</b>			11 7/8" W   46 1/4" Ext   6 1/4" H   Photocell   Swivel 4" Square Post: 7'   8'   10'   12'   14'   16'   18'   20'		
	<b>ENG Appr.</b>					
<b>Construction:</b> Aluminum	<b>MFR Appr.</b>		<b>Size</b>	<b>Drawing No.</b>	<b>Rev</b>	
	<b>QA</b>		<b>A</b>	<b>0001</b>	<b>A</b>	
<b>Unless Otherwise Specified:</b> Dimensions in Inches	<b>Weight:</b>		<b>Scale</b>	<b>CAD File</b>	<b>Sheet</b>	
					<b>1 of 1</b>	

Revisions				
Zone	Rev	Description	Date	Appr