

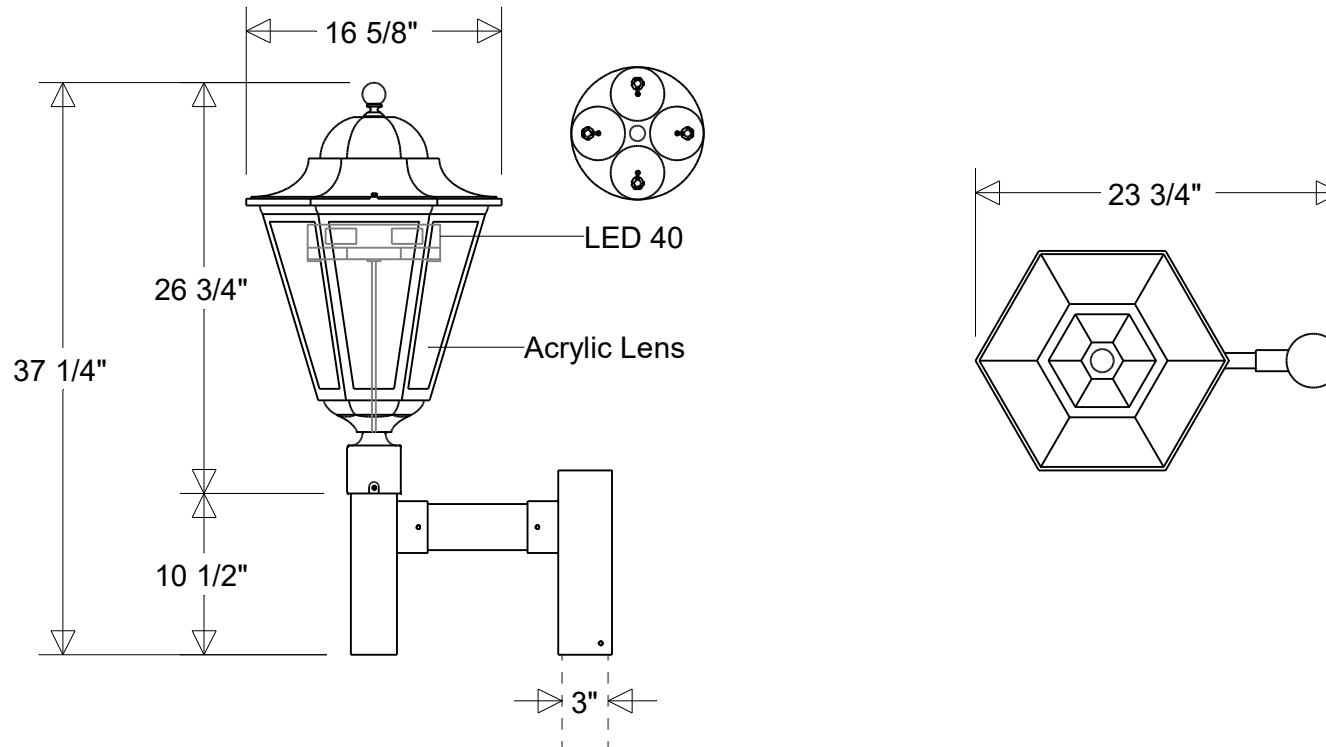


Primelite Manufacturing Corp.

407 S Main St, Freeport, NY 11520
 Phone: (516) 868-4411 | Fax: (516) 868-4609
 sales@primelite-mfg.com | www.primelite-mfg.com

PROUDLY MADE IN THE USA SINCE 1962!
"SPECIALTIES ARE OUR SPECIALTY!"

Job Info



#1325/* H1 LED 40 NonDimm

Lamp: 40 W LED
 CCT: 3K or 4K | Others
 75W MH Equivalent

Finish:
 29 Oven Baked
 Powder Coated Paints

Drawn:
 CB
 03/2026

Scale:
 1 / 12.5

Approvals

80 CRI
 120-277 V
 Non-Dimming

Material:
 Aluminum
 Acrylic Lens

Note:
 All dimensions are nominal.
 Actual dimensions may vary.

16 5/8" W | 23 3/4" Ext | 37 1/4" H | 3" Post Fitter

Lens: Smoke (*1) | White (*3) | Clear (*4) | Frost (*5)