

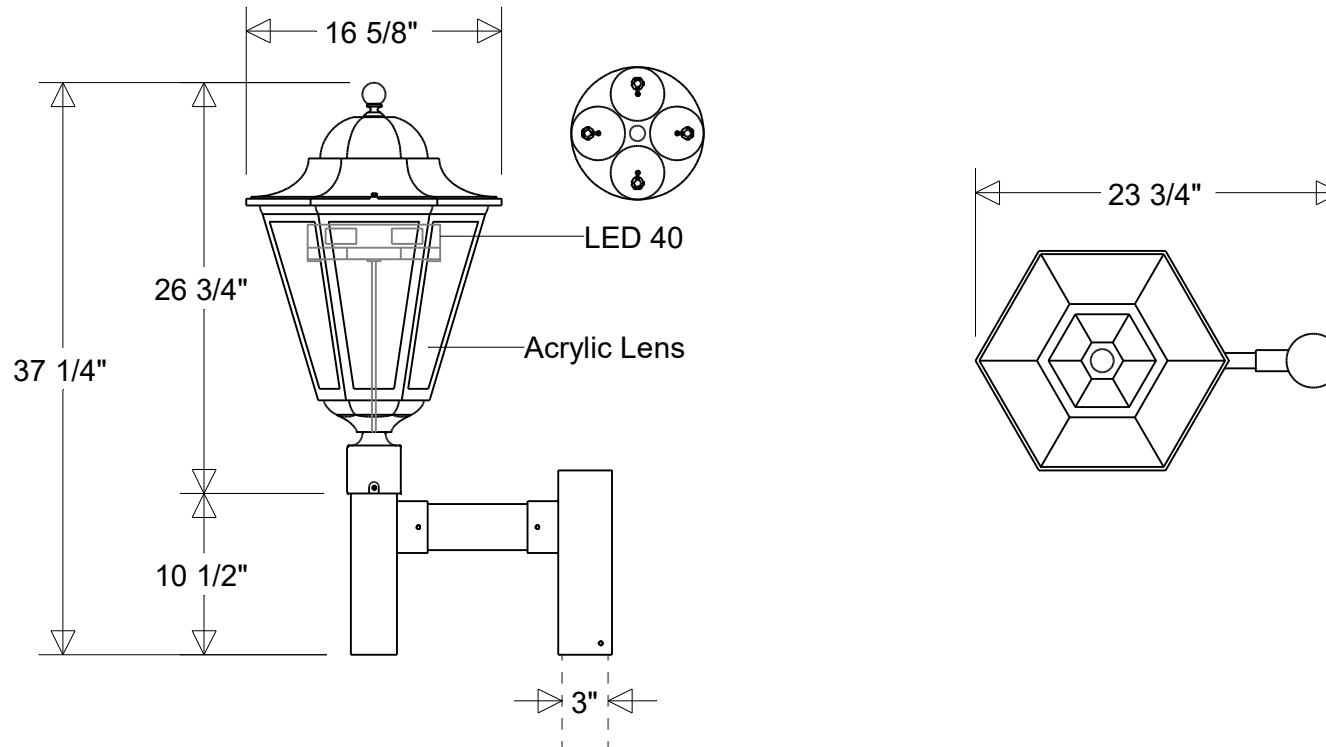


# Primelite Manufacturing Corp.

407 S Main St, Freeport, NY 11520  
 Phone: (516) 868-4411 | Fax: (516) 868-4609  
 sales@primelite-mfg.com | www.primelite-mfg.com

**PROUDLY MADE IN THE USA SINCE 1962!**  
**"SPECIALTIES ARE OUR SPECIALTY!"**

Job Info



## #1325/\* H1 LED 40 Dimm

16 5/8" W | 23 3/4" Ext | 37 1/4" H | 3" Post Fitter  
 Lens: Smoke (\*1) | White (\*3) | Clear (\*4) | Frost (\*5)

<b>Lamp: 40 W LED</b> CCT: 3K or 4K   Others 75W MH Equivalent 80 CRI 120-277 V 0-10 V Dimming	<b>Finish:</b> 29 Oven Baked Powder Coated Paints	<b>Drawn:</b> CB 03/2026	<b>Scale:</b> 1 / 12.5	<b>Approvals</b>   
	<b>Material:</b> Aluminum Acrylic Lens	<b>Note:</b> All dimensions are nominal. Actual dimensions may vary.		