

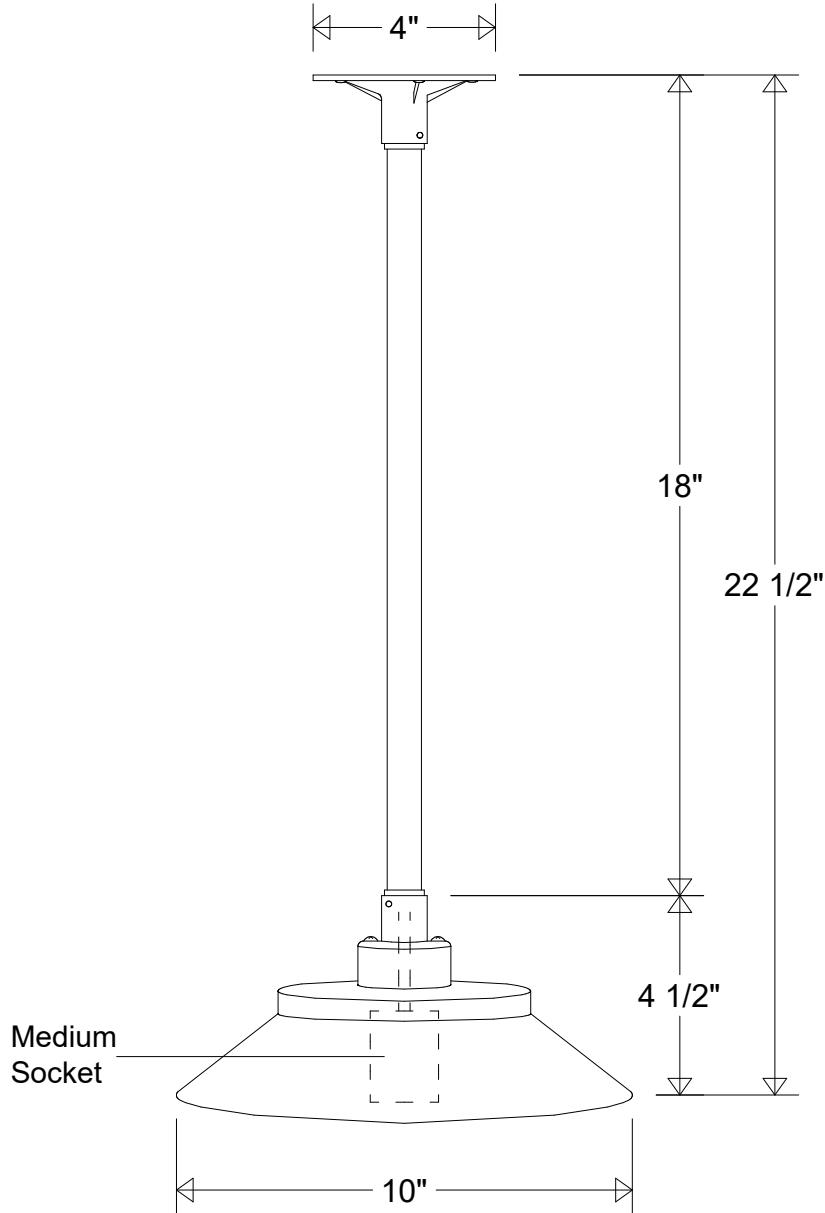



# Primelite Manufacturing Corp

407 S Main St, Freeport, NY 11520

Phone: 516-868-4411 | Fax: 516-868-4609  
 sales@primelite-mfg.com | www.primelite-mfg.com

PART # #12/10-18	LAMP Incandescent	VOLTAGE 120 V	COLOR Powder Coated Paint
JOB NAME			TYPE Pendant



<b>Lamp: Incandescent</b> Max Wattage: 1/100 G25 	<b>Name</b>		<b>Date</b>		<b>Pendant #12/10-18</b>																														
	Drawn	CB	12/2020																																
	Checked				10" Dia   22 1/2" H   1 1/2" Stem																														
	ENG Appr.																																		
Construction: Aluminum	MFR Appr.			Size	Drawing No.	Rev	<table border="1" style="width: 100%; text-align: center;"> <thead> <tr> <th colspan="5">Revisions</th> </tr> <tr> <th>Zone</th> <th>Rev</th> <th>Description</th> <th>Date</th> <th>Approved</th> </tr> </thead> <tbody> <tr><td> </td><td> </td><td> </td><td> </td><td> </td></tr> <tr><td> </td><td> </td><td> </td><td> </td><td> </td></tr> <tr><td> </td><td> </td><td> </td><td> </td><td> </td></tr> </tbody> </table>				Revisions					Zone	Rev	Description	Date	Approved															
Revisions																																			
Zone	Rev	Description	Date	Approved																															
Unless Otherwise Specified: Dimensions in Inches	QA			<b>A</b>	<b>0001</b>	<b>A</b>																													
	Weight			Scale	CAD File	Sheet	<b>1 of 1</b>																												