



# Primelite Manufacturing Corp

407 S Main St, Freeport, NY 11520

Phone: 516-868-4411 | Fax: 516-868-4609  
 sales@primelite-mfg.com | www.primelite-mfg.com

PART #  
#116/16-1594 LED 22

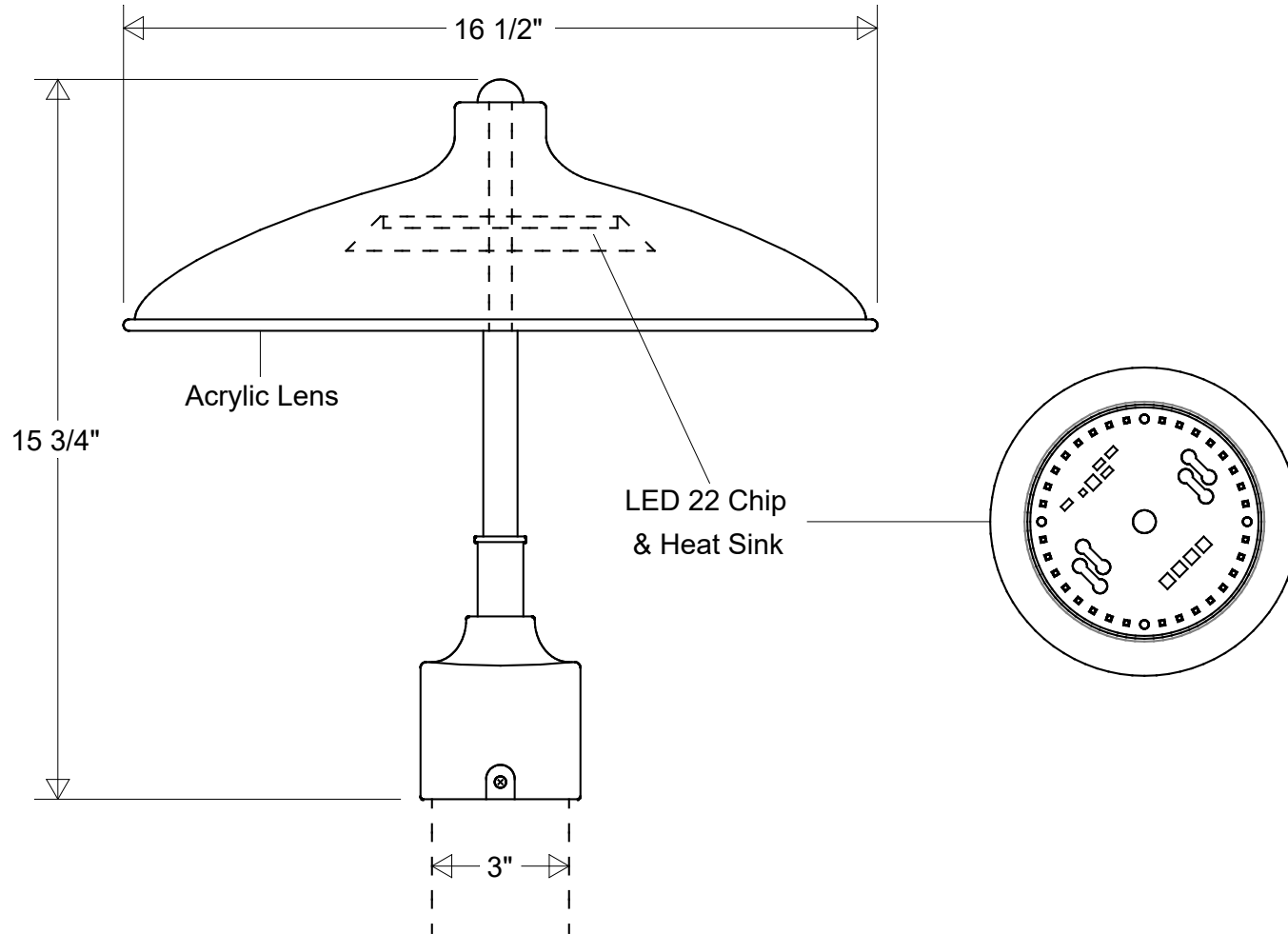
LAMP  
Built-In LED

VOLTAGE  
120 V

COLOR  
Powder Coated Paint

JOB NAME

TYPE  
Post Light



Lamp: LED 22 Array  
 100 W Inc Equivalent  
 3K = 1850 Lumens  
 4K = 1900 Lumens



	Initials	Date
Drawn	CB	04/2022
Checked		
ENG Appr.		
MFR Appr.		
QA		

## Post Light #116/16-1594 LED 22

16 1/2" Dia | 15 3/4" H | Fits 3" OD Round Post

Clear Acrylic Lens

Size	Drawing No.	Rev
<b>A</b>	<b>0001</b>	<b>A</b>

Revisions				
Zone	Rev	Description	Date	Appr

Construction:  
Aluminum | Acrylic

Unless Otherwise Specified:  
Dimensions in Inches

Weight:

Scale      CAD File      Sheet  
**1 of 1**