

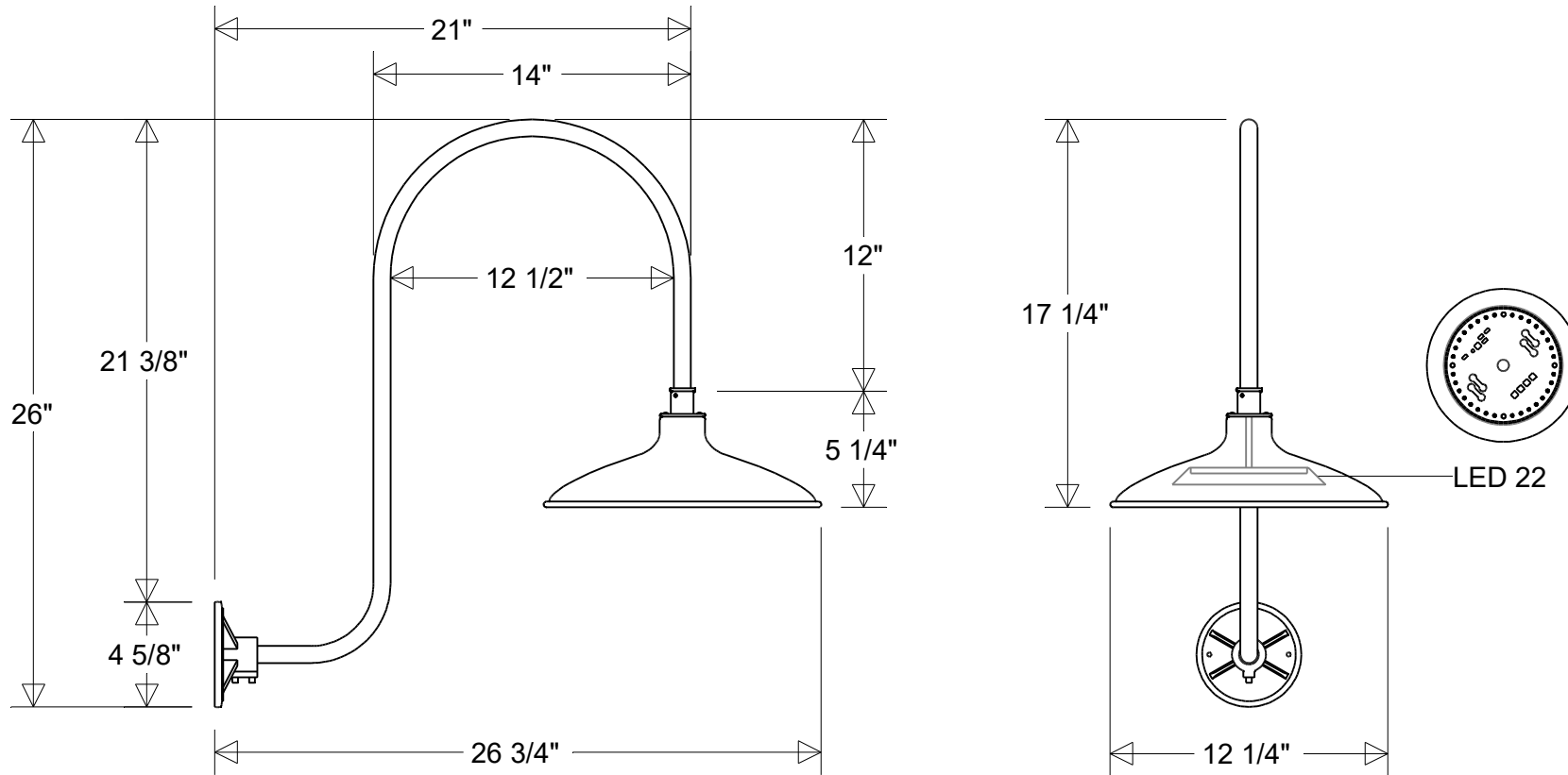


# Primelite Manufacturing Corp.

407 S Main St, Freeport, NY 11520  
 Phone: (516) 868-4411 | Fax: (516) 868-4609  
 sales@primelite-mfg.com | www.primelite-mfg.com

**PROUDLY MADE IN THE USA SINCE 1962!**  
**"SPECIALTIES ARE OUR SPECIALTY!"**

Job Info



## #116/12-874 LED 22

12 1/4" Dia | 26 3/4" Ext | 26" H  
 Shade: #116/12A LED 22 | Arm: #874

<b>Lamp: 22 W LED</b> CCT: 3K or 4K 125W Inc Equivalent 80 CRI 120V Electronic Dimming	<b>Finish:</b> 29 Oven Baked Powder Coated Paints <b>Material:</b> Aluminum	<b>Drawn:</b> CB 04/2026 <b>Note:</b> All dimensions are nominal. Actual dimensions may vary.	<b>Scale:</b> 1/8	<b>Approvals</b>	