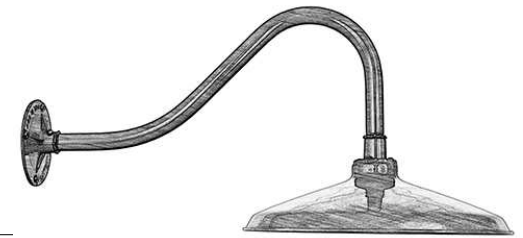
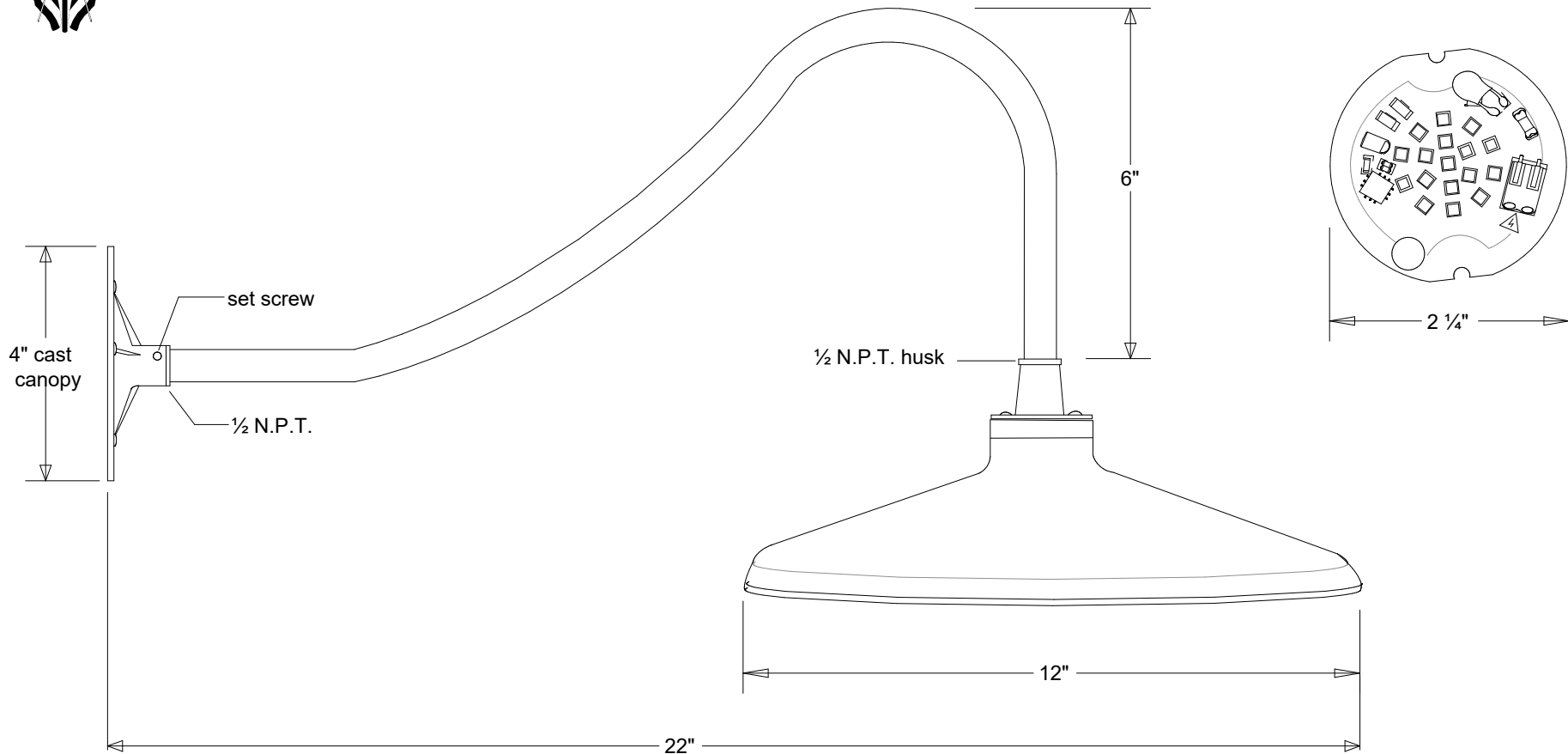





Primelite Manufacturing Corp

407 S Main St, Freeport, NY 11520
 Phone: 516-868-4411 | Fax: 516-868-4609
 sales@primelite-mfg.com | www.primelite-mfg.com

PART # #20/12-850	LAMP Incandescent LED	VOLTAGE 120 V	COLOR Powder Coated Paint
JOB NAME			TYPE Gooseneck



Lamp: Incandescent LED	Name	Date	Gooseneck #116/12-859 LED12		
 1/200A LED12	Drawn	MM	09/2018	12" Dia Shade 16" Arm	
Construction: Aluminum	Checked			Size	Drawing No.
Unless Otherwise Specified: Dimensions in Inches	ENG Appr.			A	0001
	MFR Appr.			Rev	A
	QA			Scale	CAD File
	Weight			Sheet	1 of 1

Revisions				
Zone	Rev	Description	Date	Approved