



LUMINAIRE TESTING LABORATORY, INC.

SUSTAINING MEMBER
of the
IESNA

905 Harrison Street · Allentown, PA 18103 · 610-770-1044 · Fax 610-770-8912 · www.LuminaireTesting.com

LTL NUMBER: 10607

DATE: 11-09-2006

PREPARED FOR: PRIMELITE MFG

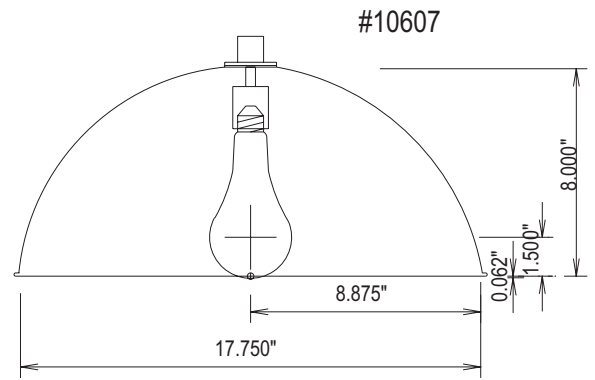
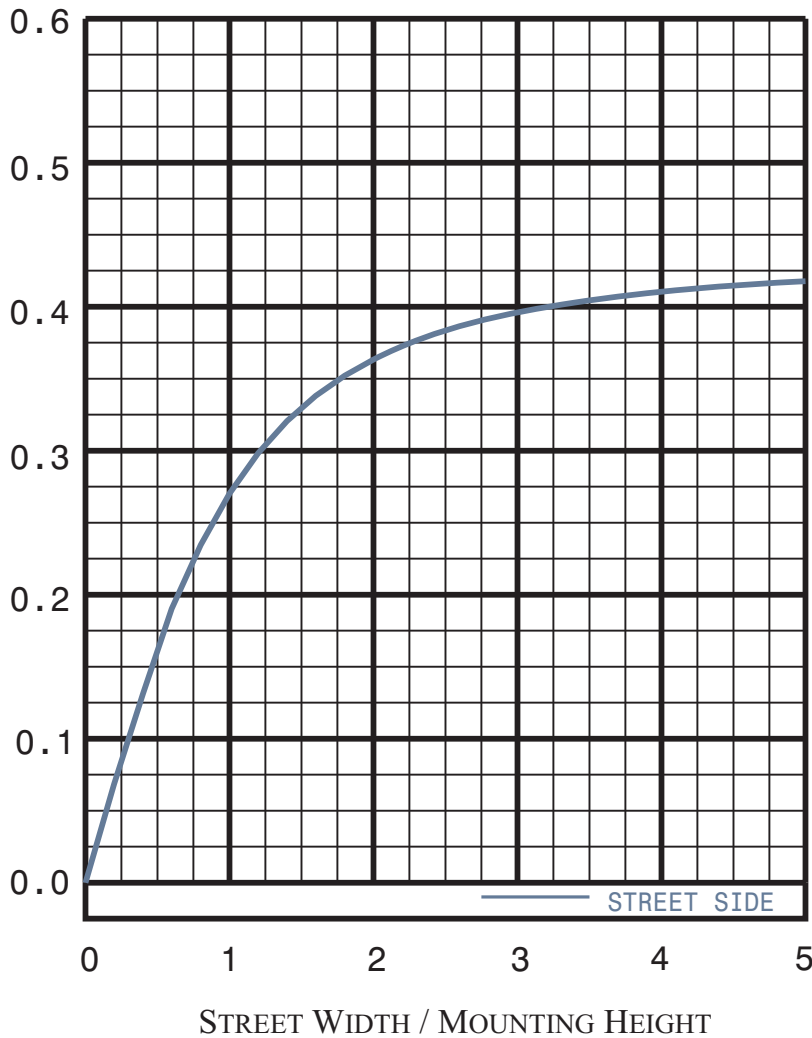
CATALOG NUMBER: 40/19-1852 AND 39/19-1852

LUMINAIRE: SPUN ALUMINUM HOUSING, SPUN WHITE ENAMEL ALUMINUM REFLECTOR, NO ENCLOSURE.

LAMP: ONE FROSTED VBU 300 WATT PS30 INCANDESCENT LAMP RATED AT 6300 LUMENS.

LAMP CATALOG NUMBER: GE 300W

COEFFICIENTS OF UTILIZATION



IES CLASSIFICATION: **TYPE V**
CUTOFF CLASSIFICATION: **CUTOFF**

FLUX DISTRIBUTION

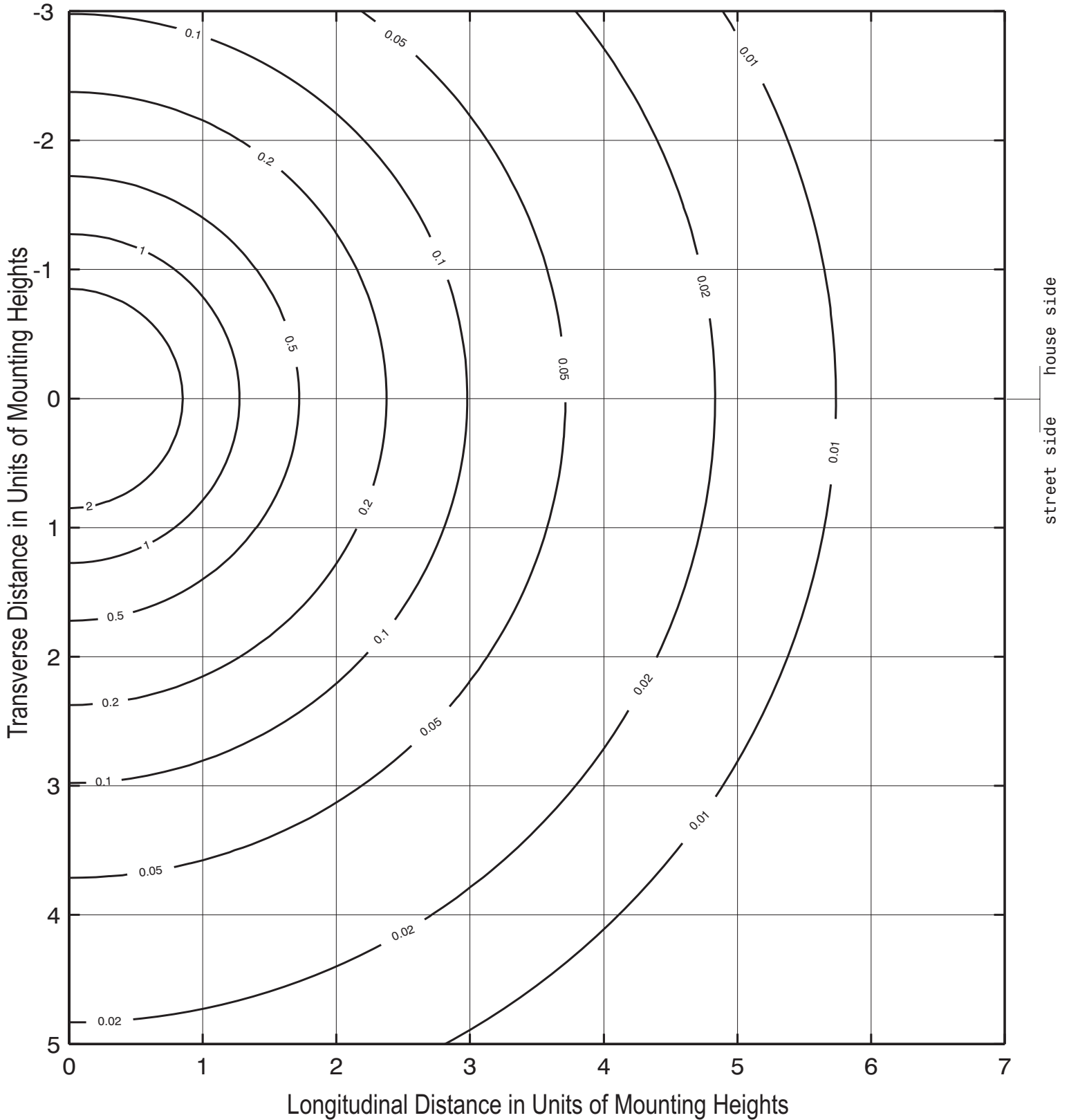
LUMENS	DOWNWARD	UPWARD	TOTALS
HOUSE SIDE	2704 (42.9%)	0 (0.0%)	2705 (42.9%)
STREET SIDE	2704 (42.9%)	0 (0.0%)	2705 (42.9%)
TOTALS	5409 (85.9%)	0 (0.0%)	5410 (85.9%)

Approved By: MG

THIS REPORT BASED ON LM-31 AND OTHER PERTINENT IESNA PROCEDURES.



ISOFOOTCANDLE LINES OF HORIZONTAL ILLUMINATION VALUES BASED ON 16.00 FOOT MOUNTING HEIGHT





CANDELA DISTRIBUTION

Table with 12 columns (0-90) and 24 rows (0-180) showing Candela values for various luminaire beam angles.



MAXIMUM PLANE AND CONE PLOTS OF CANDELA

