



**LUMINAIRE TESTING LABORATORY, INC.**

SUSTAINING  
MEMBER  
of the  
IESNA

905 Harrison Street · Allentown, PA 18103 · 610-770-1044 · Fax 610-770-8912 · www.LuminaireTesting.com

LTL NUMBER: 09719

DATE: 03-21-2006

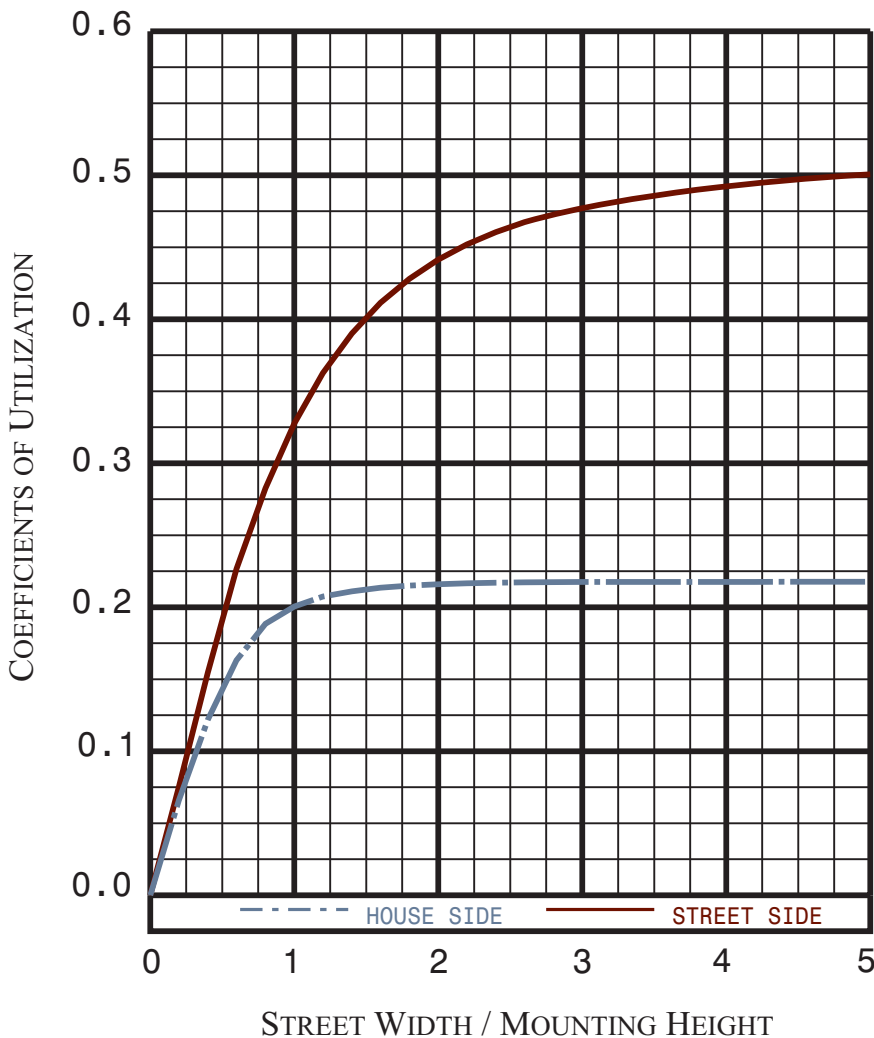
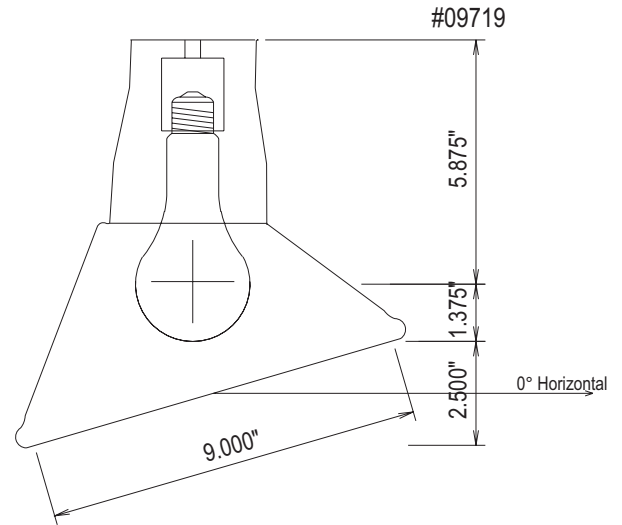
PREPARED FOR: PRIMELITE MFG

CATALOG NUMBER: 20/850

LUMINAIRE: SPUN ALUMINUM HOUSING, SPUN WHITE ENAMEL ALUMINUM REFELCTOR, NO ENCLOSURE.

LAMP: ONE FROSTED VBU 200 WATT A23 INCANDESCENT LAMP RATED AT 3800 LUMENS.

LAMP CATALOG NUMBER: PHILIPS 200A



IES CLASSIFICATION: **AREA LIGHT**  
CUTOFF CLASSIFICATION: **SEMI-CUTOFF**

**FLUX DISTRIBUTION**

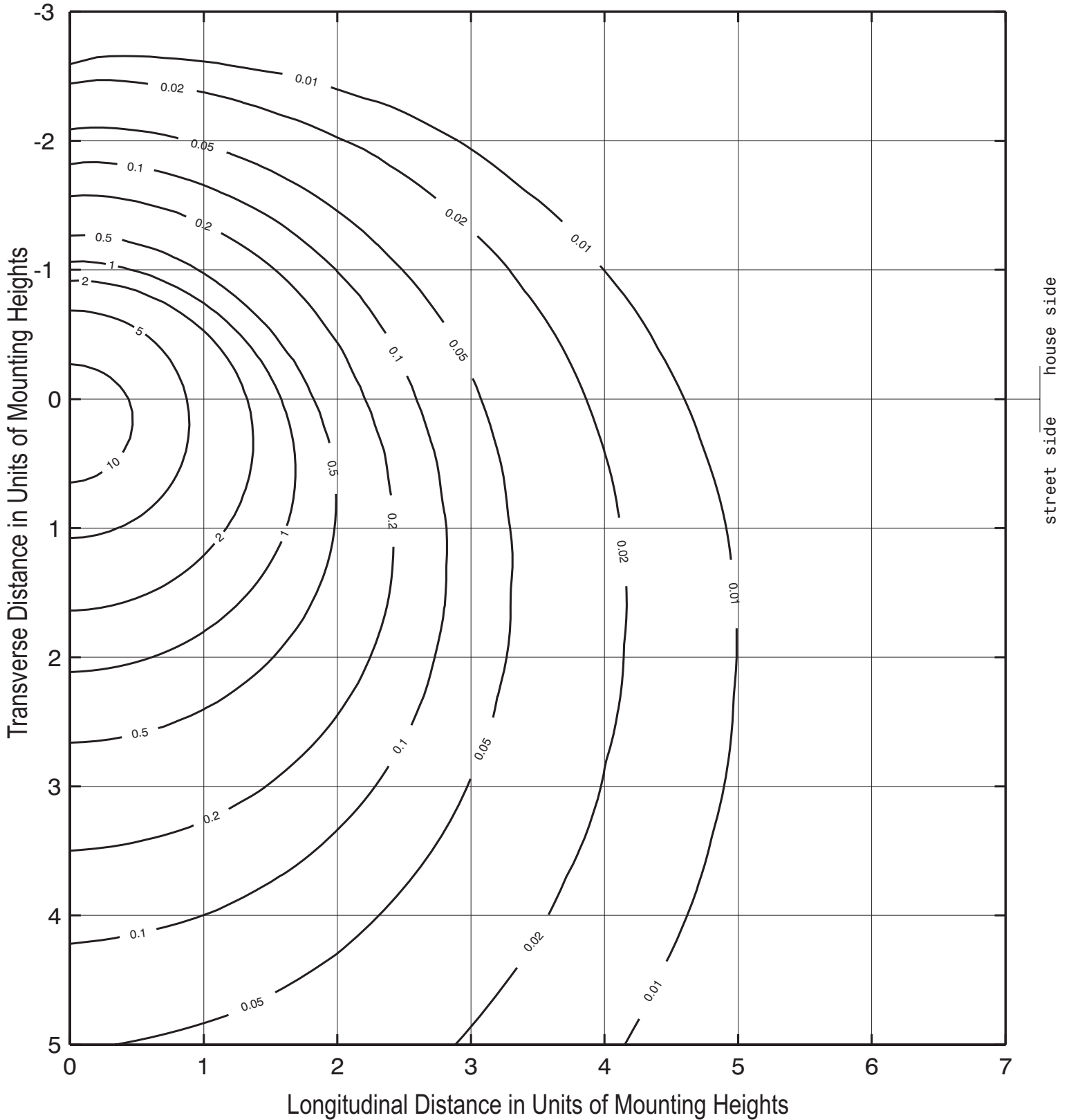
LUMENS	DOWNWARD	UPWARD	TOTALS
HOUSE SIDE	825 (21.7%)	0 (0.0%)	825 (21.7%)
STREET SIDE	1962 (51.6%)	28 (0.7%)	1990 (52.4%)
TOTALS	2788 (73.4%)	28 (0.7%)	2816 (74.1%)

TESTED BY HERSCHEL SCHRECK  
CHECKED BY MIKE GRATHER

**THIS REPORT BASED ON LM-31 AND OTHER PERTINENT IESNA PROCEDURES.**



ISOFOOTCANDLE LINES OF HORIZONTAL ILLUMINATION VALUES BASED ON 8.00 FOOT MOUNTING HEIGHT





CANDELA DISTRIBUTION

Table with 12 columns (0-90) and 20 rows (180-0) showing Candela Distribution values.



CANDELA DISTRIBUTION

Table with 11 columns (95, 105, 115, 125, 135, 145, 155, 165, 175, 180) and 21 rows (180, 175, 165, 155, 145, 135, 125, 115, 105, 95, 90, 87.5, 85, 82.5, 80, 77.5, 75, 72.5, 70, 67.5, 65, 62.5, 60, 57.5, 55, 52.5, 50, 47.5, 45, 40, 35, 30, 25, 20, 19, 15, 10, 5, 0). Values represent candela distribution for various beam angles.



MAXIMUM PLANE AND CONE PLOTS OF CANDELA

