



**LUMINAIRE TESTING LABORATORY, INC.**

SUSTAINING  
MEMBER  
of the  
IESNA

905 Harrison Street · Allentown, PA 18103 · 610-770-1044 · Fax 610-770-8912 · www.LuminaireTesting.com

LTL NUMBER: 14182

DATE: 12-03-2008

PREPARED FOR: PRIMELITE MANUFACTURING CORP.

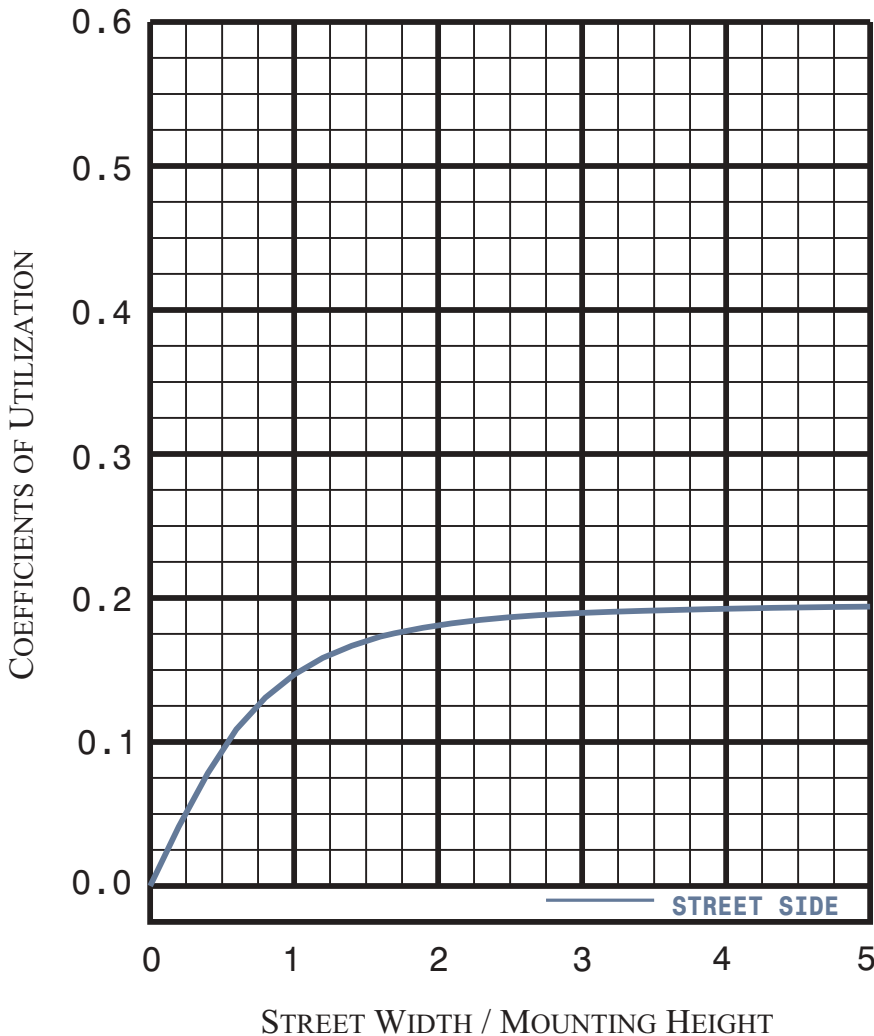
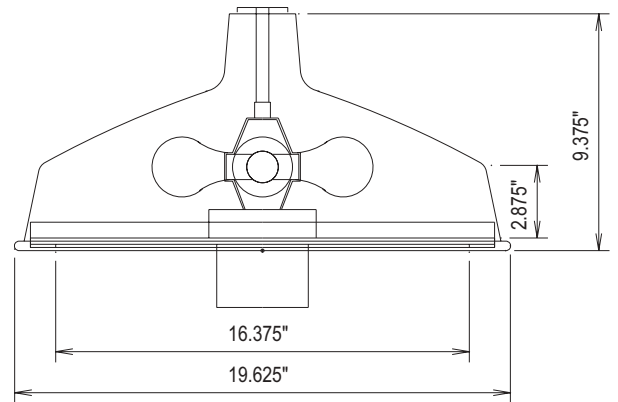
CATALOG NUMBER: 1594

LUMINAIRE: CAST ALUMINUM HOUSING, SPUN WHITE ENAMEL ALUMINUM REFLECTOR,  
TRANSLUCENT WHITE PLASTIC ENCLOSURE.

LAMP: THREE FROSTED HORIZONTAL 100 WATT A19 INCANDESCENT LAMPS  
RATED AT 1710 LUMENS EACH.

LAMP CATALOG NUMBER: GE 100A-STANDARD-A19

#14182



IES CLASSIFICATION: **TYPE V**  
CUTOFF CLASSIFICATION: **CUTOFF**

**FLUX DISTRIBUTION**

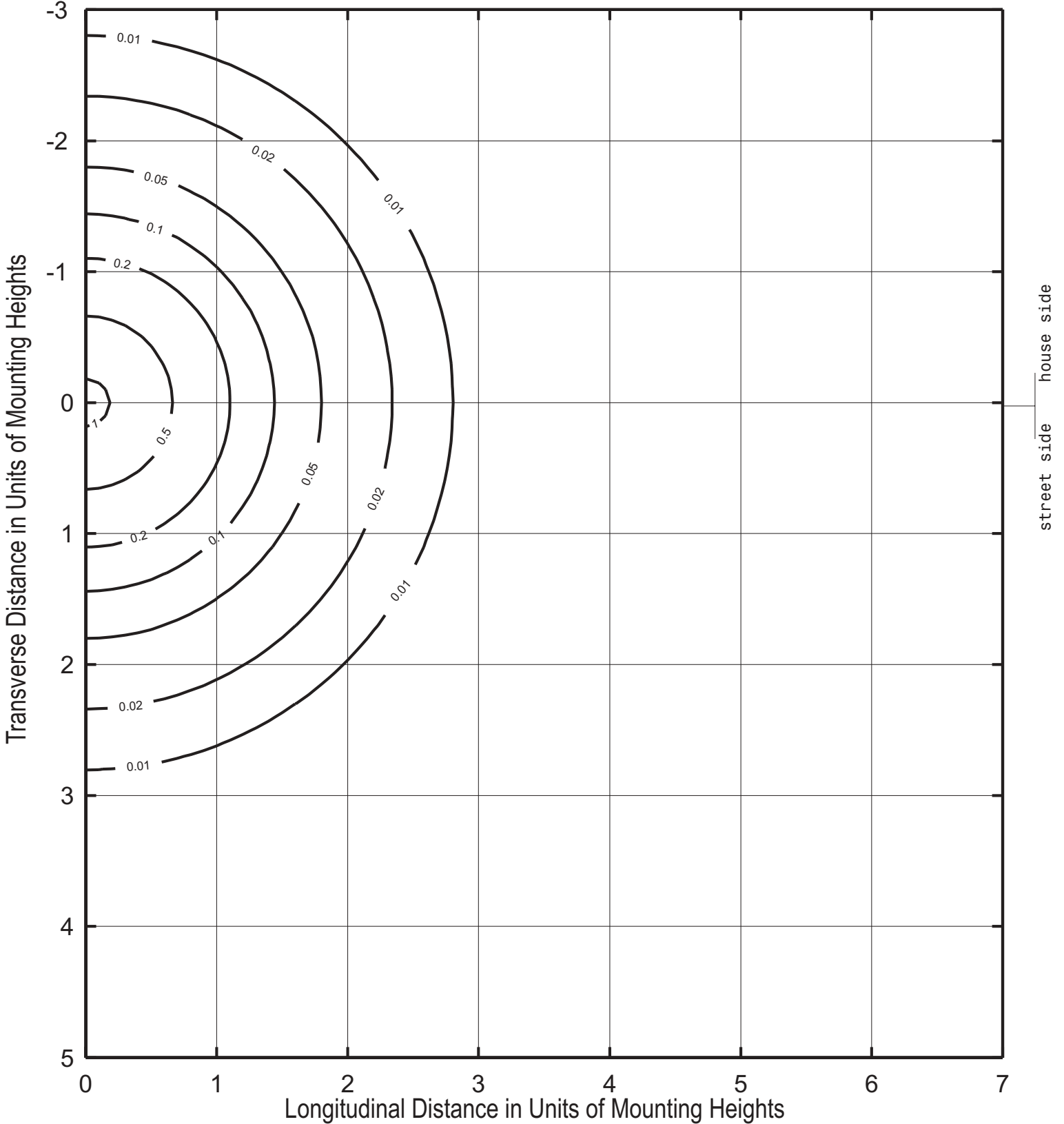
LUMENS	DOWNWARD	UPWARD	TOTALS
HOUSE SIDE	334.89 (19.6%)	0.00 (0.0%)	334.89 (19.6%)
STREET SIDE	334.89 (19.6%)	0.00 (0.0%)	334.89 (19.6%)
TOTALS	669.77 (39.2%)	0.01 (0.0%)	669.78 (39.2%)

Approved By: MG

**THIS REPORT BASED ON LM-31 AND OTHER PERTINENT IESNA PROCEDURES.**



ISOFOOTCANDLE LINES OF HORIZONTAL ILLUMINATION VALUES BASED ON 15.00 FOOT MOUNTING HEIGHT



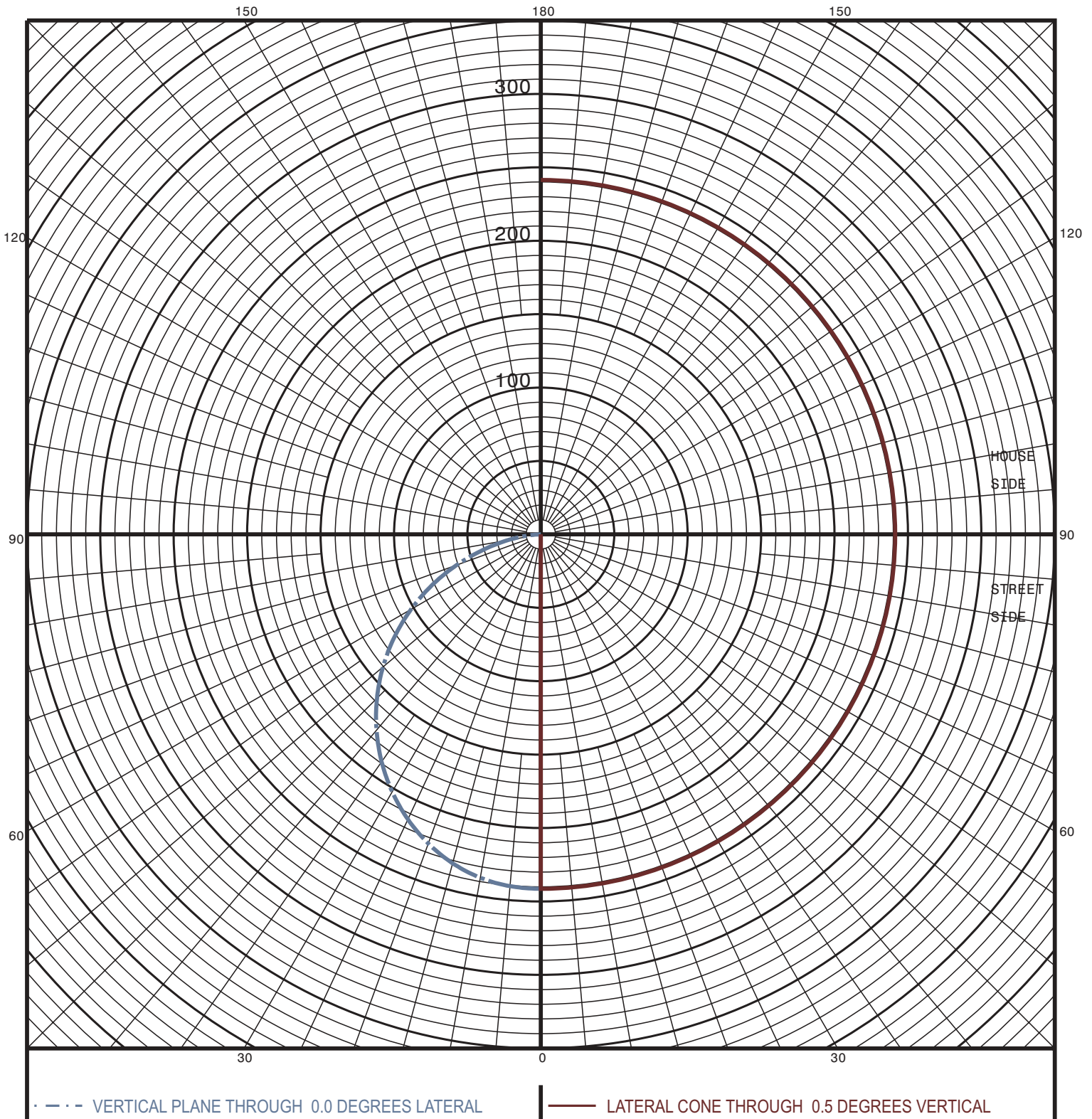


CANDELA DISTRIBUTION

Table with 12 columns (0-90) and 21 rows (180-0) showing Candela Distribution values. Values increase linearly from 0 at 180 to 241 at 0.



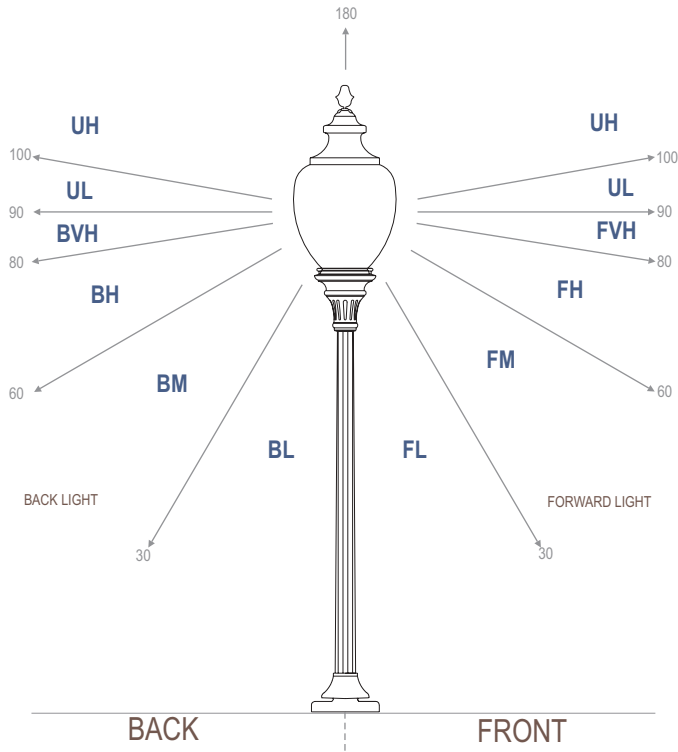
MAXIMUM PLANE AND CONE PLOTS OF CANDELA





FLUX DISTRIBUTION TABLE BASED ON THE IESNA LUMINAIRE CLASSIFICATION SYSTEM

FLUX



ZONE	LUMINAIRE LUMENS	% OF LAMP LUMENS
FORWARD LIGHT	335	19.6
FL ( 0°-30°)	93	5.5
FM (30°-60°)	174	10.2
FH (60°-80°)	62	3.6
FVH (80°-90°)	5	0.3

BACK LIGHT	335	19.6
BL ( 0°-30°)	93	5.5
BM (30°-60°)	174	10.2
BH (60°-80°)	62	3.6
BVH (80°-90°)	5	0.3

UPLIGHT	0	0
UL (90°-100°)	0	0
UH (100°-180°)	0	0

TRAPPED LIGHT	1040	60.8
---------------	------	------

