



**LUMINAIRE TESTING LABORATORY, INC.**

SUSTAINING  
MEMBER  
of the  
IESNA

905 Harrison Street · Allentown, PA 18103 · 610-770-1044 · Fax 610-770-8912 · www.LuminaireTesting.com

LTL NUMBER: 14184

DATE: 11-13-2008

PREPARED FOR: PRIMELITE MANUFACTURING CORP.

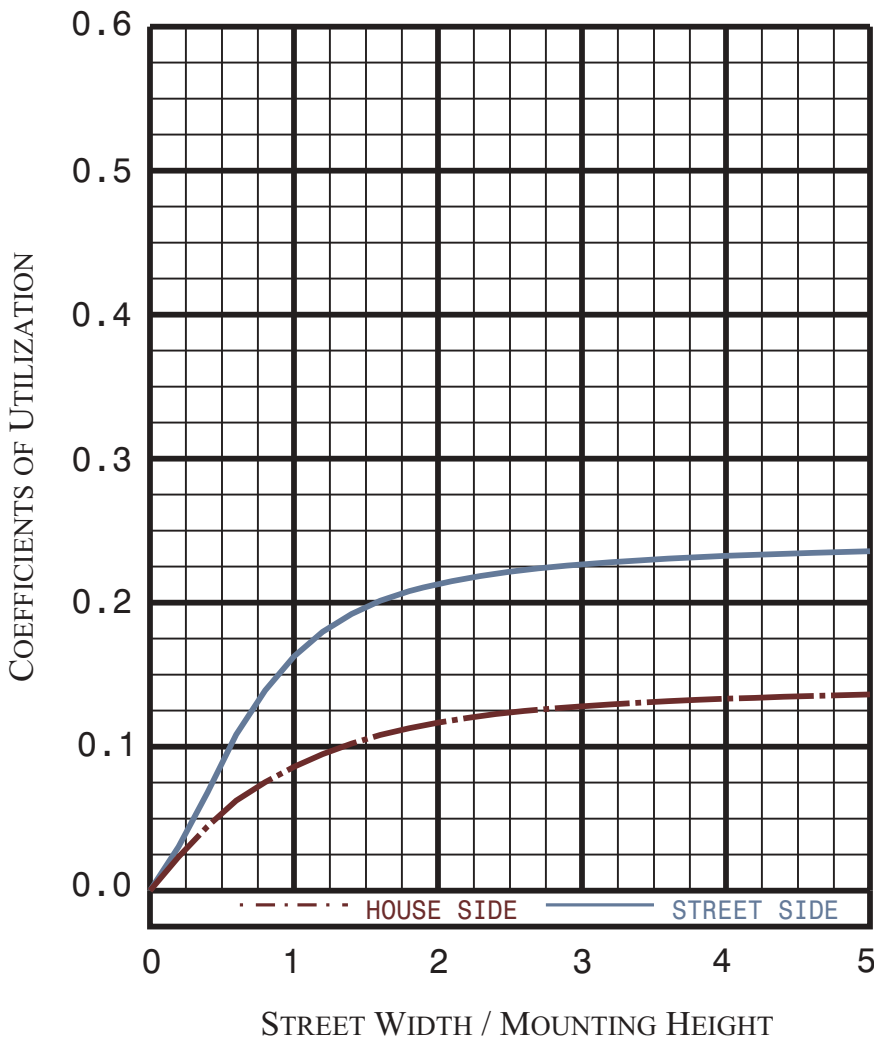
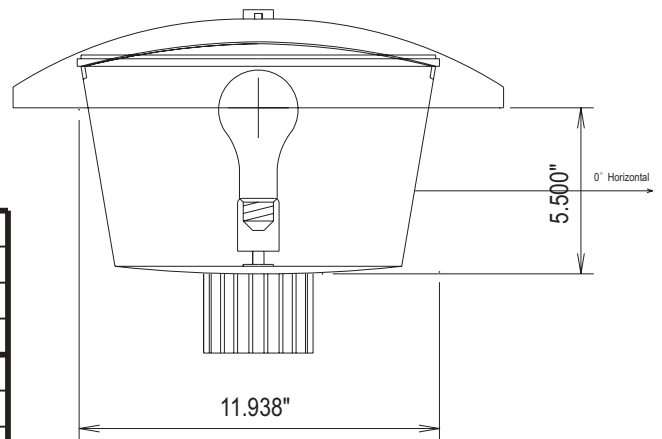
CATALOG NUMBER: 1198

LUMINAIRE: CAST AND SPUN ALUMINUM HOUSING, CLEAR PRISMATIC PLASTIC REFRACTOR.

LAMP: ONE VBD FROSTED 150 WATT A19 INCANDESCENT LAMP RATED AT 2880 LUMENS.

LAMP CATALOG NUMBER: GE 150A-STANDARD

#14184



IES CLASSIFICATION: **TYPE II**  
LONGITUDINAL CLASSIFICATION: **SHORT**  
CUTOFF CLASSIFICATION: **SEMI-CUTOFF**

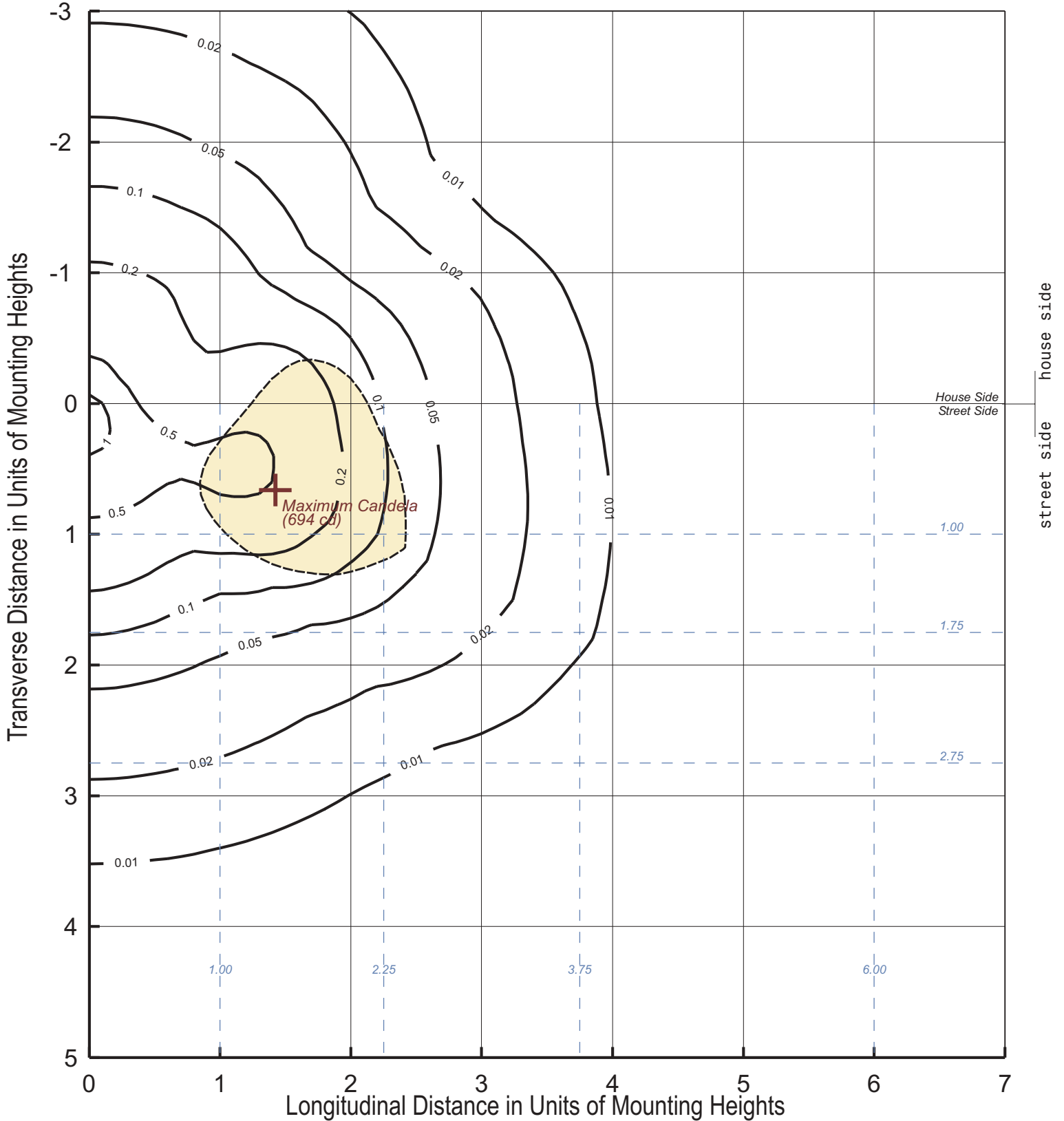
FLUX DISTRIBUTION

LUMENS	DOWNWARD	UPWARD	TOTALS
HOUSE SIDE	427.21 (14.8%)	69.15 ( 2.4%)	496.36 (17.2%)
STREET SIDE	711.39 (24.7%)	49.31 ( 1.7%)	760.70 (26.4%)
TOTALS	1138.60 (39.5%)	118.47 ( 4.1%)	1257.06 (43.6%)

Approved By: MG



### ISOFOOTCANDLE LINES OF HORIZONTAL ILLUMINATION VALUES BASED ON 15.00 FOOT MOUNTING HEIGHT





CANDELA DISTRIBUTION

Table with 12 columns (0, 5, 15, 25, 35, 45, 55, 65, 75, 85, 90) and 21 rows (180, 175, 165, 155, 145, 135, 125, 115, 105, 95, 90, 87.5, 85, 82.5, 80, 77.5, 75, 72.5, 70, 67.5, 65, 62.5, 60, 57.5, 55, 52.5, 50, 47.5, 45, 40, 35, 30, 25, 20, 15, 10, 5, 0). Values represent candela distribution for various beam angles.

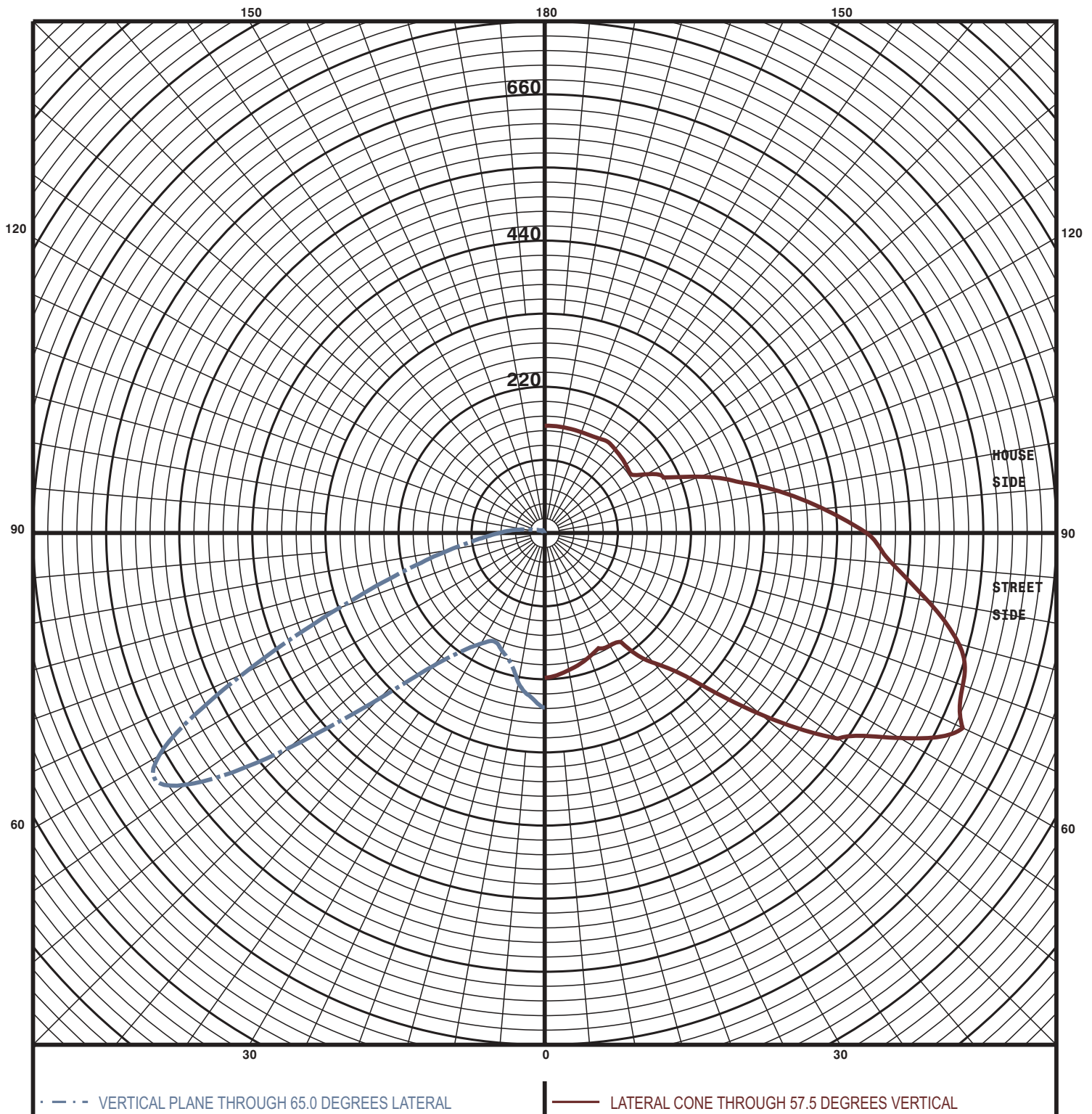


CANDELA DISTRIBUTION

Table with 11 columns (95, 105, 115, 125, 135, 145, 155, 165, 175, 180) and 19 rows (180, 175, 165, 155, 145, 135, 125, 115, 105, 95, 90, 87.5, 85, 82.5, 80, 77.5, 75, 72.5, 70, 67.5, 65, 62.5, 60, 57.5, 55, 52.5, 50, 47.5, 45, 40, 35, 30, 25, 20, 15, 10, 5, 0). Values represent candela distribution for various beam angles.



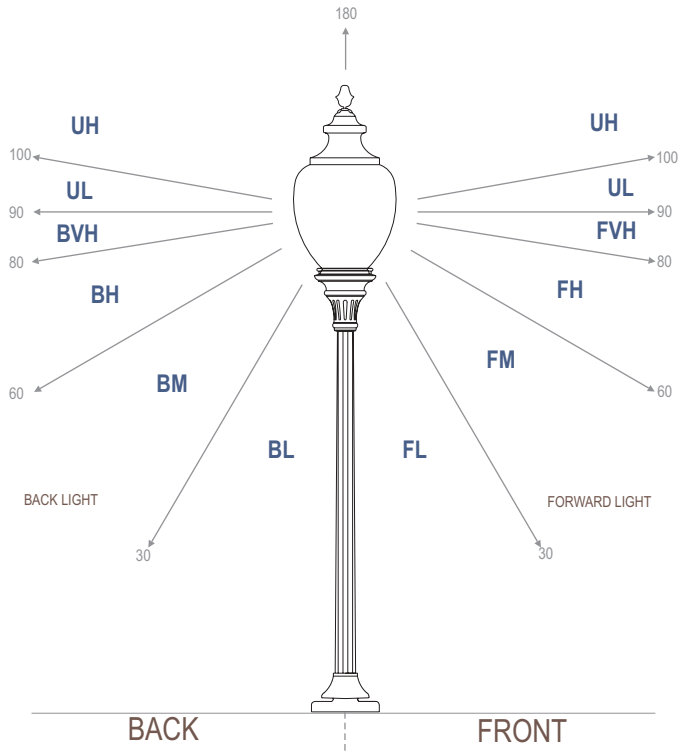
MAXIMUM PLANE AND CONE PLOTS OF CANDELA





FLUX DISTRIBUTION TABLE BASED ON THE IESNA LUMINAIRE CLASSIFICATION SYSTEM

FLUX



ZONE	LUMINAIRE LUMENS	% OF LAMP LUMENS
FORWARD LIGHT	711	24.7
FL ( 0° -30°)	95	3.3
FM (30° -60°)	351	12.2
FH (60° -80°)	221	7.7
FVH (80° -90°)	45	1.5

BACK LIGHT	427	14.8
BL ( 0° -30°)	58	2
BM (30° -60°)	180	6.2
BH (60° -80°)	148	5.1
BVH (80° -90°)	43	1.5

UPLIGHT	118	4.1
UL (90° -100°)	60	2.1
UH (100° -180°)	59	2

TRAPPED LIGHT	1623	56.4
---------------	------	------

