



LUMINAIRE TESTING LABORATORY, INC.

SUSTAINING
MEMBER
of the
IESNA

905 Harrison Street · Allentown, PA 18103 · 610-770-1044 · Fax 610-770-8912 · www.LuminaireTesting.com

LTL NUMBER: 14183

DATE: 12-03-2008

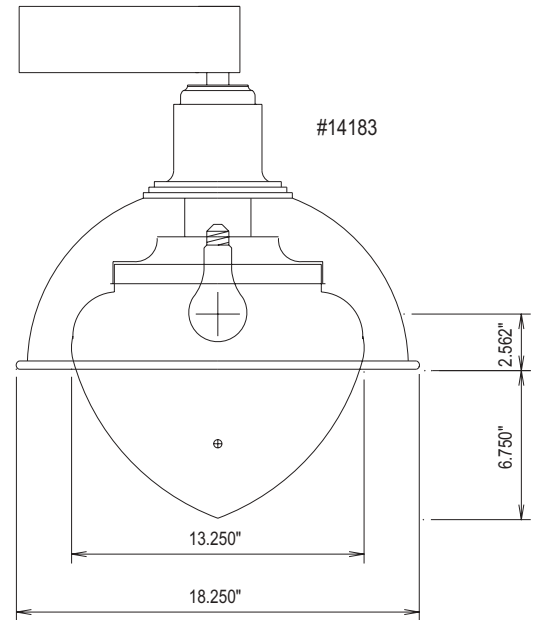
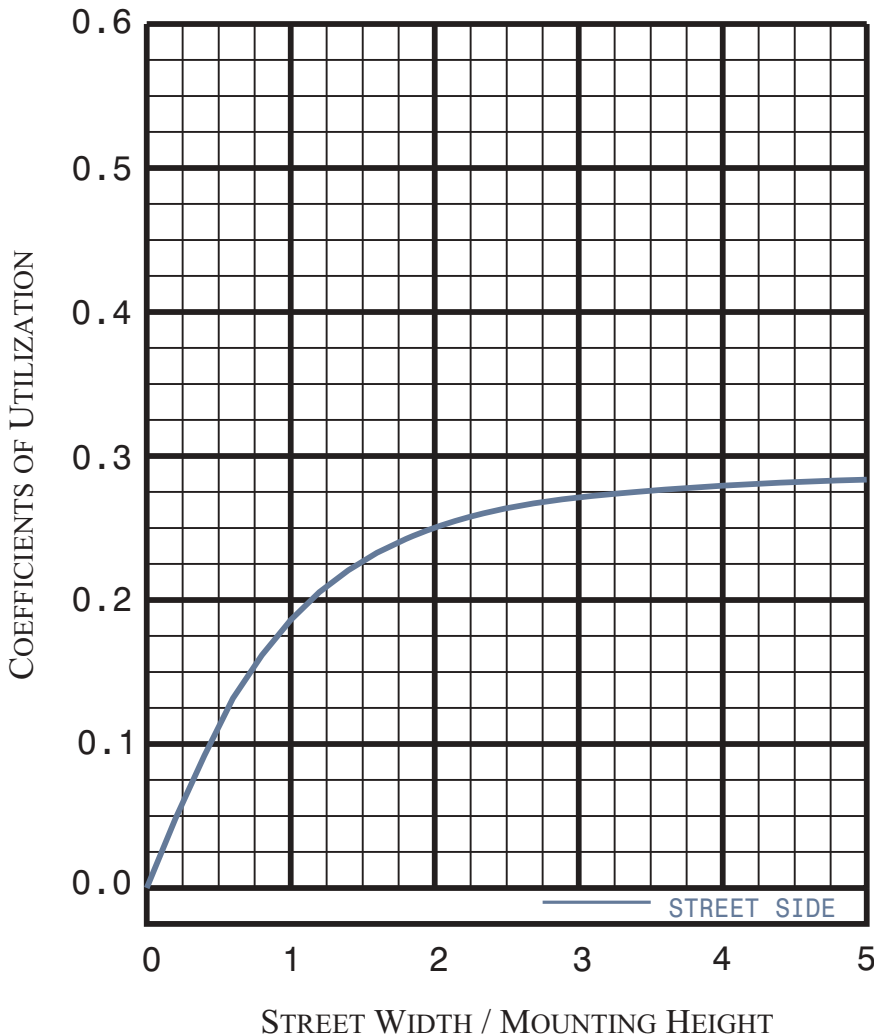
PREPARED FOR: PRIMELITE MANUFACTURING CORP.

CATALOG NUMBER: 1197

LUMINAIRE: CAST AND SPUN ALUMINUM HOUSING, SPUN WHITE ENAMEL ALUMINUM REFLECTOR, CLEAR PATTERNED PLASTIC ENCLOSURE.

LAMP: ONE FROSTED VBU 200 WATT A21 INCANDESCENT LAMP RATED AT 3800 LUMENS.

LAMP CATALOG NUMBER: GE 200W-A21



IES CLASSIFICATION: **TYPE V**
CUTOFF CLASSIFICATION: **CUTOFF**

FLUX DISTRIBUTION

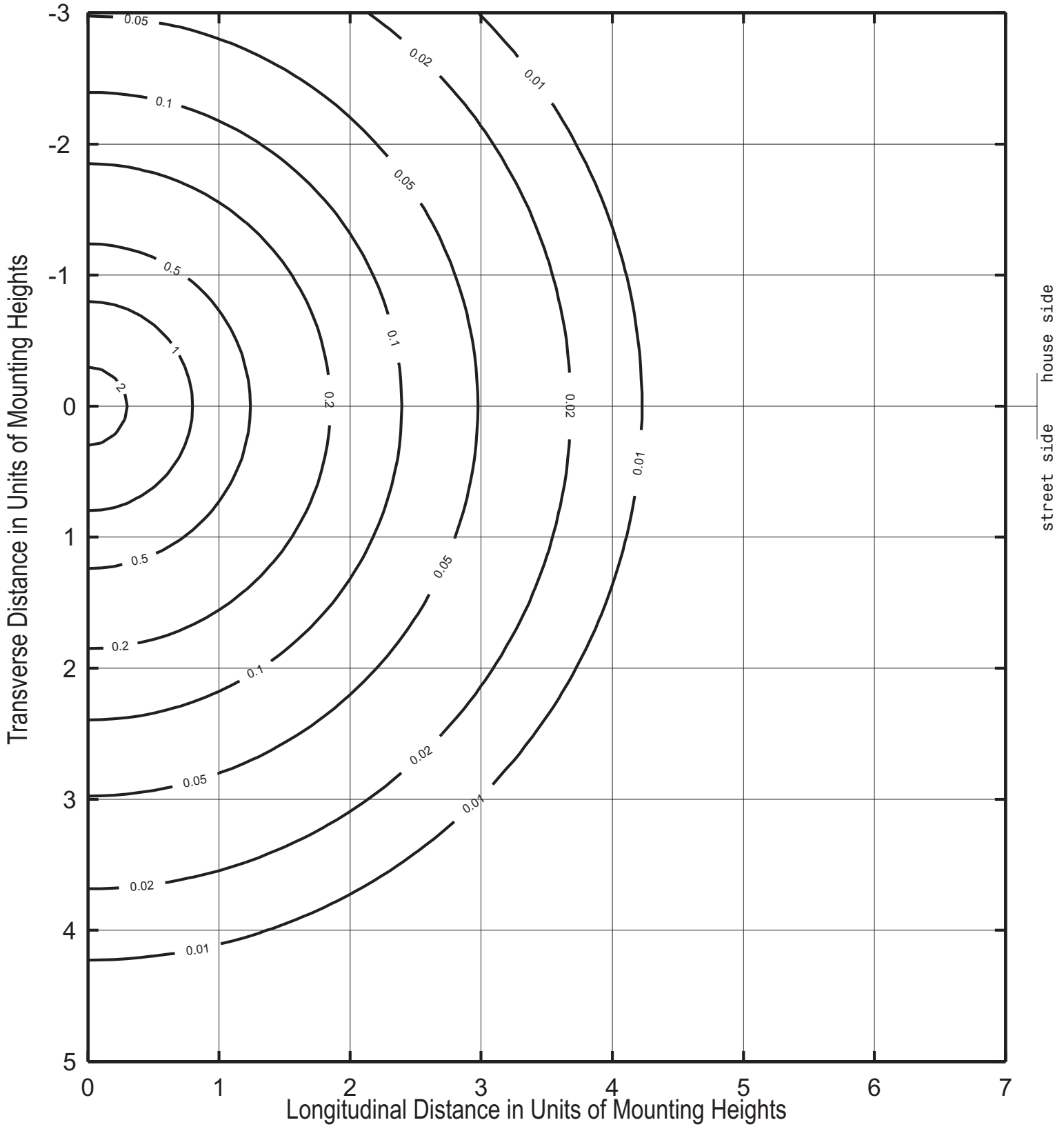
LUMENS	DOWNWARD	UPWARD	TOTALS
HOUSE SIDE	1104.21 (29.1%)	27.14 (0.7%)	1131.36 (29.8%)
STREET SIDE	1104.21 (29.1%)	27.14 (0.7%)	1131.36 (29.8%)
TOTALS	2208.43 (58.1%)	54.29 (1.4%)	2262.71 (59.5%)

Approved By: MG

THIS REPORT BASED ON LM-31 AND OTHER PERTINENT IESNA PROCEDURES.



ISOFOOTCANDLE LINES OF HORIZONTAL ILLUMINATION VALUES BASED ON 15.00 FOOT MOUNTING HEIGHT



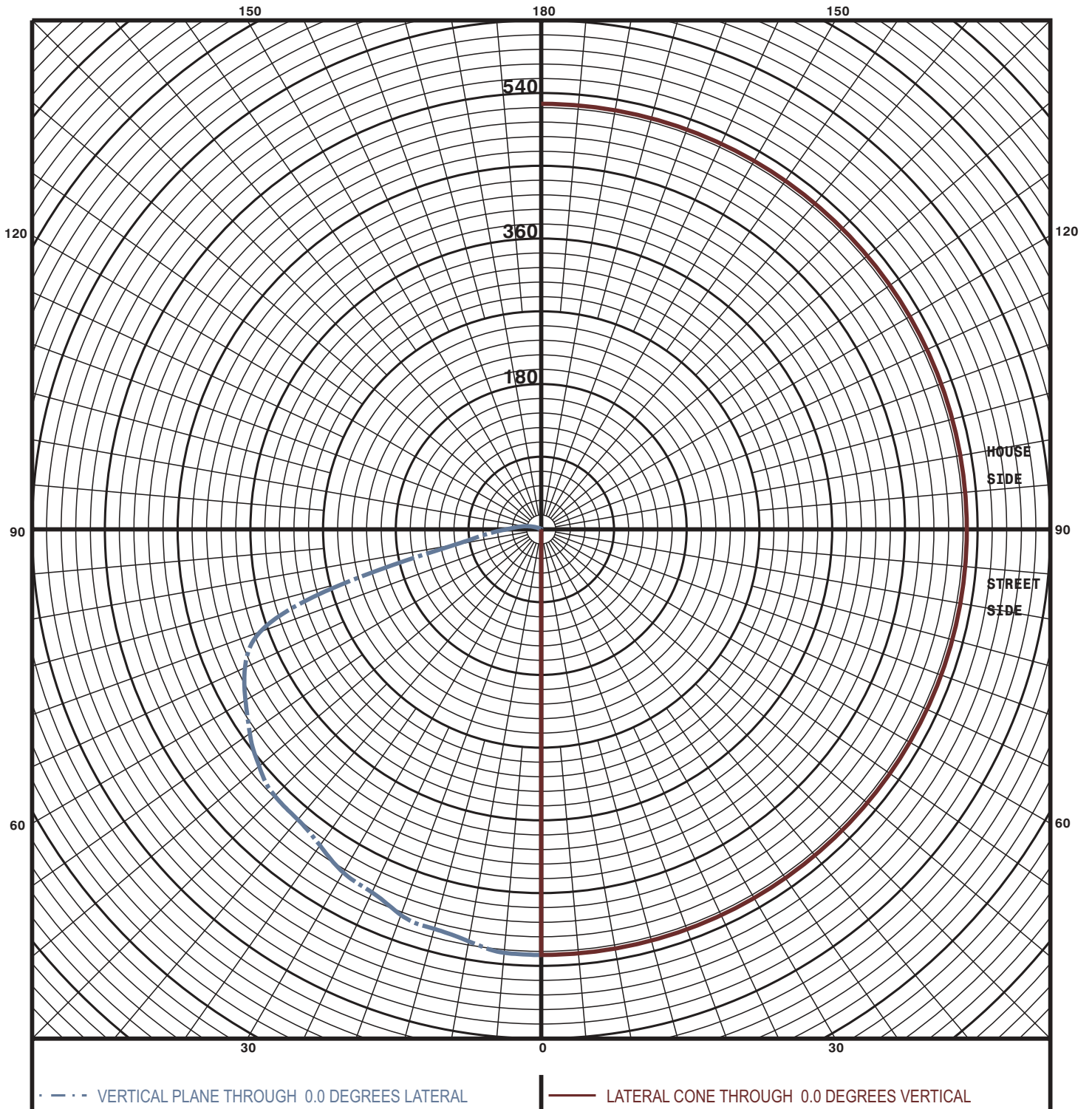


CANDELA DISTRIBUTION

Table with 12 columns (0-90) and 20 rows (180-0) showing candela distribution values.

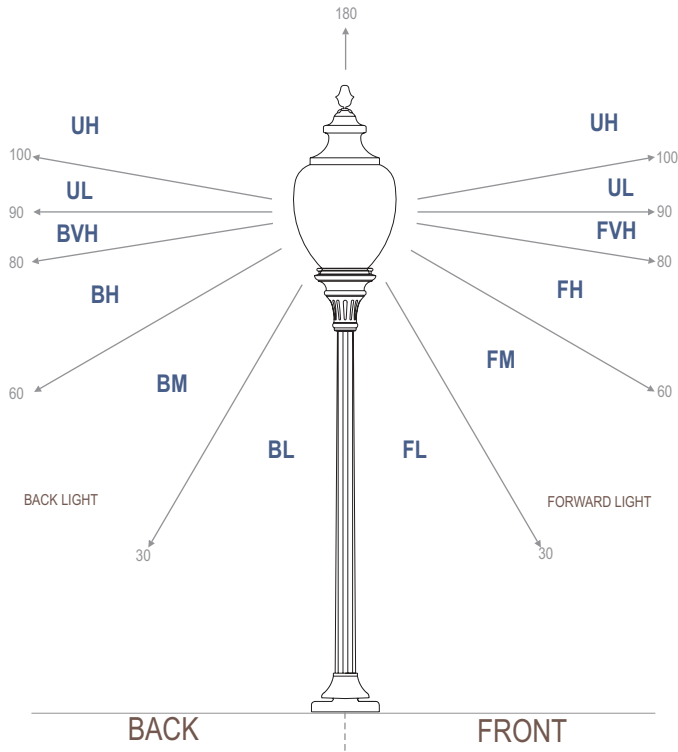


MAXIMUM PLANE AND CONE PLOTS OF CANDELA





FLUX DISTRIBUTION TABLE BASED ON THE IESNA LUMINAIRE CLASSIFICATION SYSTEM
FLUX



ZONE	LUMINAIRE LUMENS	% OF LAMP LUMENS
FORWARD LIGHT	1104	29.1
FL (0°-30°)	212	5.6
FM (30°-60°)	527	13.9
FH (60°-80°)	326	8.6
FVH (80°-90°)	38	1

BACK LIGHT	1104	29.1
BL (0°-30°)	212	5.6
BM (30°-60°)	527	13.9
BH (60°-80°)	326	8.6
BVH (80°-90°)	38	1

UPLIGHT	54	1.4
UL (90°-100°)	34	0.9
UH (100°-180°)	20	0.5

TRAPPED LIGHT	1537	40.5
---------------	------	------

