

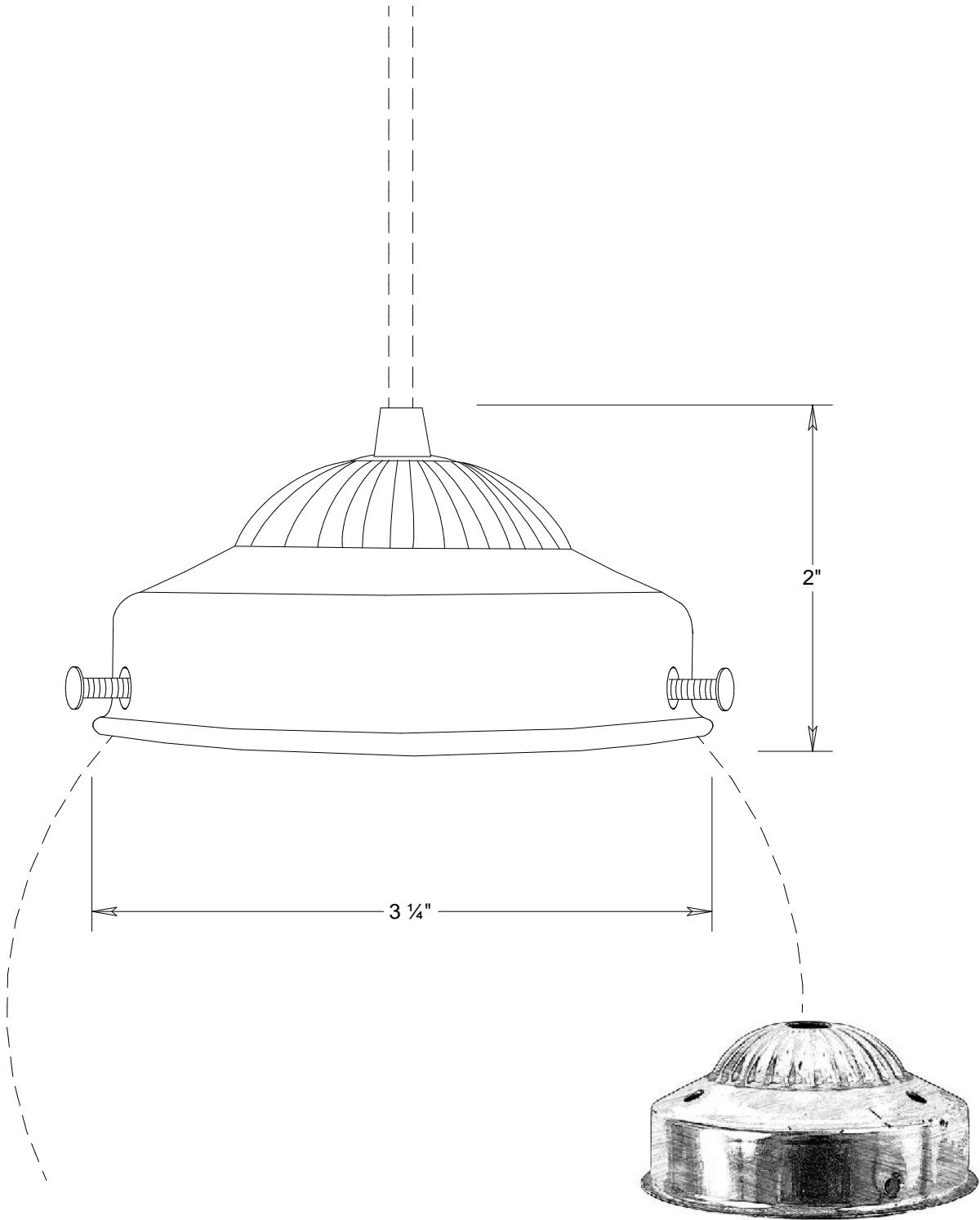


Primelite Manufacturing Corp

407 S Main St, Freeport, NY 11520

Phone: 516-868-4411 | Fax: 516-868-4609
 sales@primelite-mfg.com | www.primelite-mfg.com

PART # School House Holder (small)	LAMP n/a	VOLTAGE n/a	COLOR Powder Coated Paint
JOB NAME			TYPE Globe Pendant Hardware



Fits Globes:
 Acrylic:
 #276N
 Glass:
 #436N
 Superflex:
 #776N
 Polyethelene:
 #466N

Construction: Aluminum

Unless Otherwise Specified:
 Dimensions in Inches

Name	Date	School House Holder (Small)		
Drawn	iv	Pendant Hardware for 6" Necked Globes		
Checked		Acrylic Glass Superflex Polyethelene		
ENG Appr.		Size	Drawing No.	Rev
MFR Appr.		A	0001	A
QA		Scale	CAD File	Sheet
Comments				1 of 1

Revisions				
Zone	Rev	Description	Date	Approved