

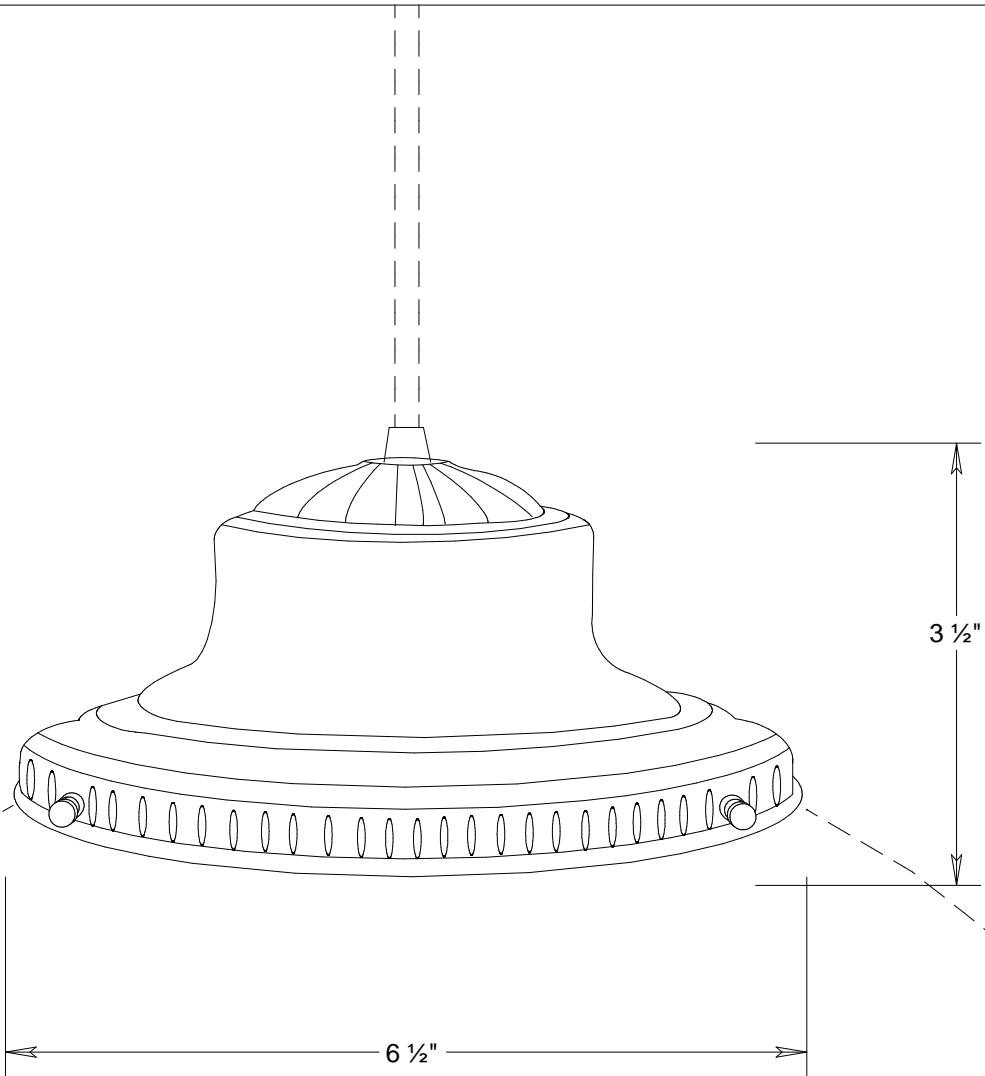


# Primelite Manufacturing Corp

407 S Main St, Freeport, NY 11520

Phone: 516-868-4411 | Fax: 516-868-4609  
 sales@primelite-mfg.com | www.primelite-mfg.com

<b>PART #</b> School House Holder (large)	<b>LAMP</b> n/a	<b>VOLTAGE</b> n/a	<b>COLOR</b> Powder Coated Paint
<b>JOB NAME</b>			<b>TYPE</b> Globe Pendant Hardware



**Fits Globes:**  
 Acrylic: #284N | #286N | #288N | #290N  
 #292N | #294N  
 Glass: #444N | #446N  
 Superflex: #784N | #786N | #788N  
 #790N | #792N | #794N  
 Polyethelene: #474N | #476N | #478N  
 #480N | #482N | #484N

Name	Date
Drawn iv	09/21/18
Checked	
ENG Appr.	
MFR Appr.	
QA	

## School House Holder (Large)

Pendant Hardware for 14"-36" Necked Globes  
 Acrylic | Glass | Superflex | Polyethelene

Size	Drawing No.	Rev
<b>A</b>	<b>0001</b>	<b>A</b>

Scale	CAD File	Sheet
		<b>1 of 1</b>

Revisions				
Zone	Rev	Description	Date	Approved