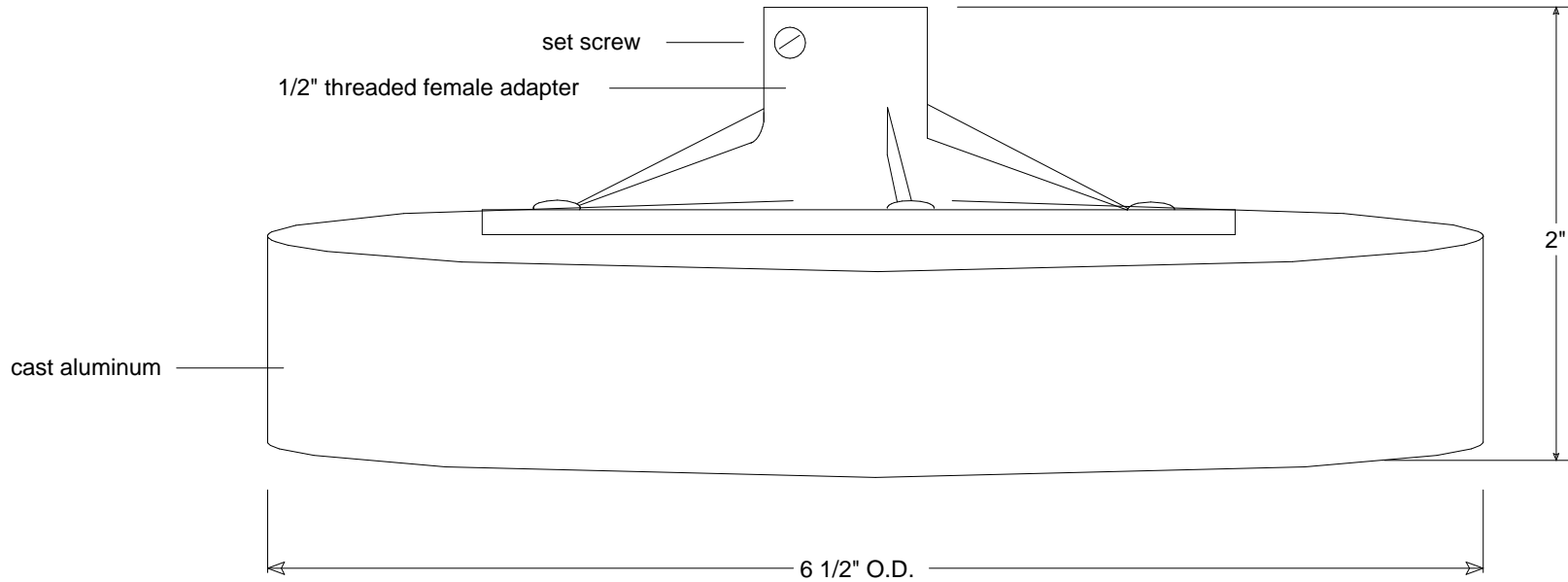




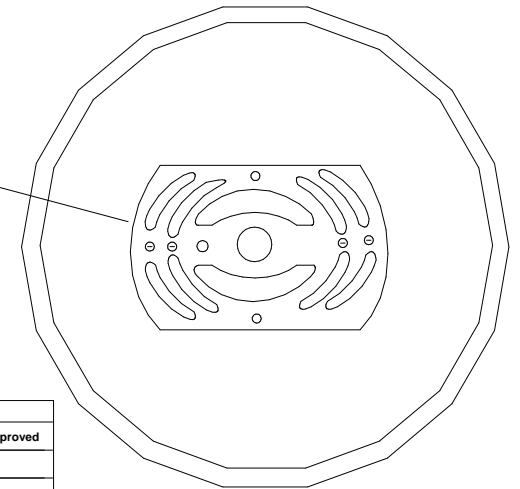
Primelite Manufacturing Corp

407 S Main St, Freeport, NY 11520
 Phone: 516-868-4411 | Fax: 516-868-4609
 sales@primelite-mfg.com | www.primelite-mfg.com

PART # #SI	LAMP n/a	VOLTAGE n/a	COLOR Powder Coated Paint
JOB NAME			TYPE Canopy



universal backplate



back view

Unless Otherwise Specified: Dimensions in Inches Tolerances: Fractional ± Angular: Mach ± Bend ± Two Place Decimal ± Three Place Decimal ±		Name	Date	Canopy #SI (SI6)		
	Drawn	lv	09/14/18			
	Checked			Cast Aluminum Canopy Gooseneck		
	ENG Appr.					
MFR Appr.				Size	Drawing No.	Rev
QA				A	0001	A
Construction: Aluminum	Comments			Scale	CAD File	Sheet
						1 of 1

Revisions					
Zone	Rev	Description	Date	Approved	