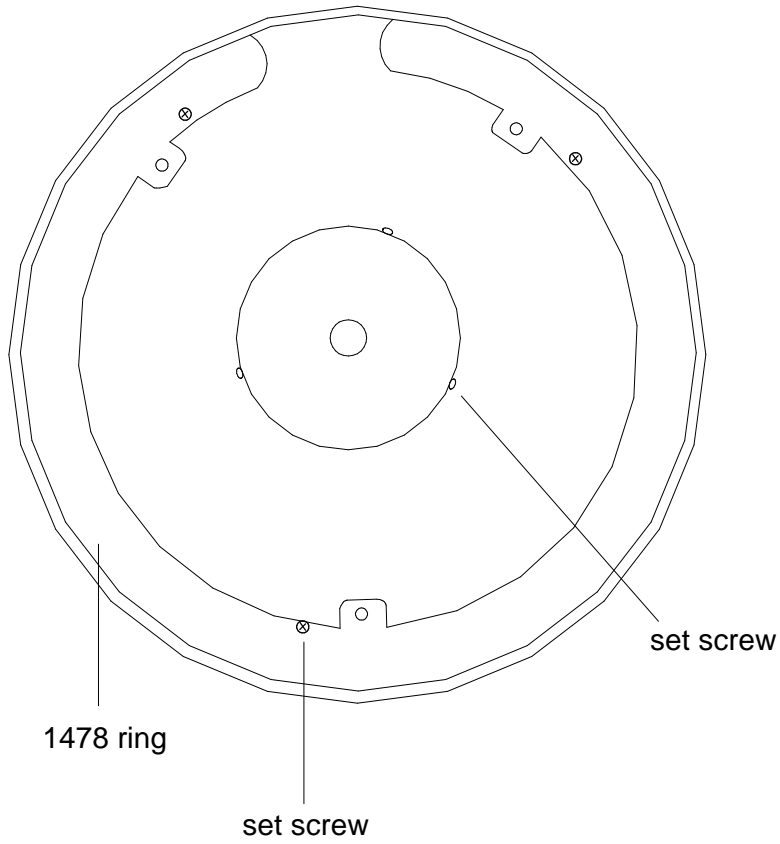
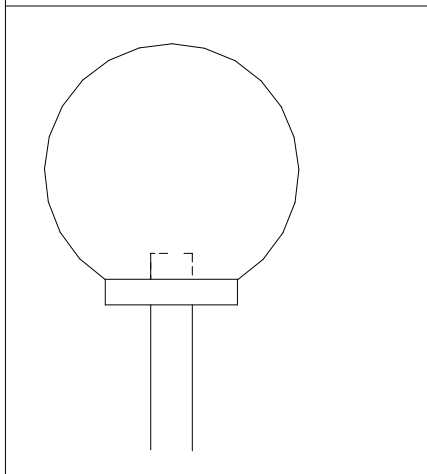
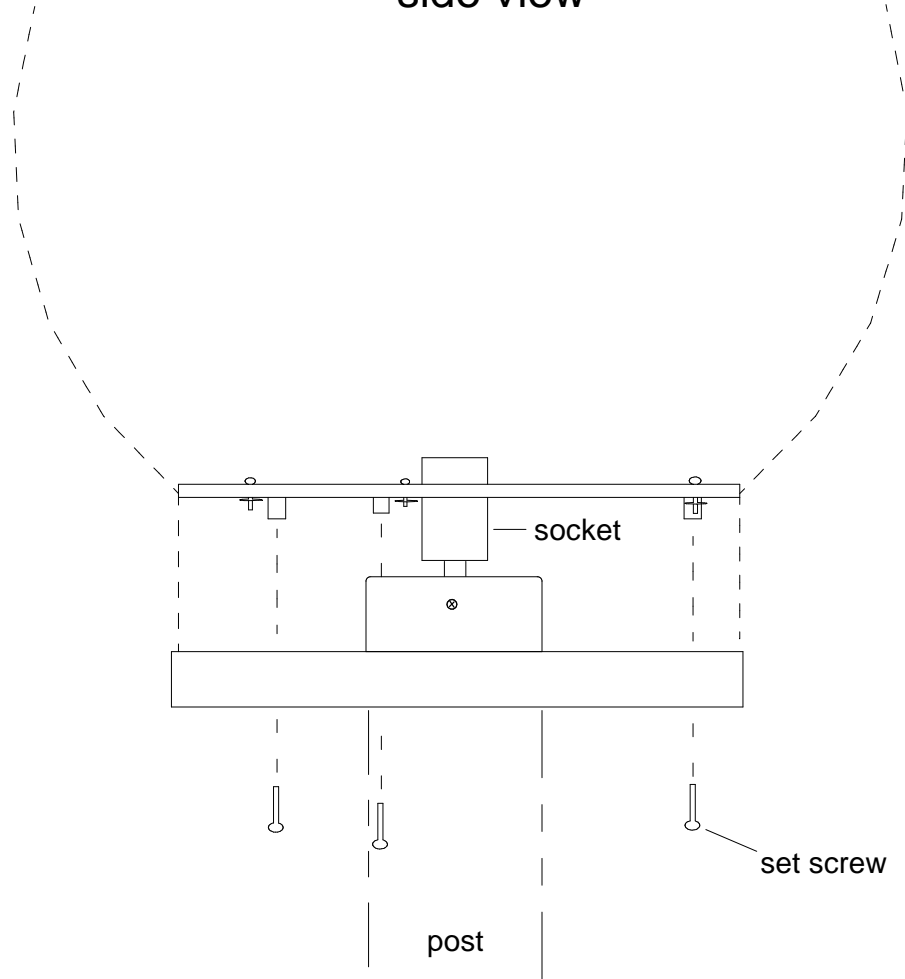


top view



side view



| | | | | | |
|--|------------------------|---|-----------------------------|------------------|---|
| Unless Otherwise Specified: Dimensions in Inches Tolerances: Fractional ± Angular: Mach ± Bend ± Two Place Decimal ± Three Place Decimal ± | Name T.A.R. | Date 12/17/09 | Primelite Mfg. Corp. | | |
| | Drawn | Checked | | | NLH2 8" contour holder for globe |
| | Checked | ENG Appr. | | | |
| | MFR Appr. | QA | | | |
| | Construction: Aluminum | Comments CAD Generated Drawing Do Not Manually Update | | Size A | Drawing No. 0001 |
| | Scale 1:2 | CAD File | Sheet 1 of 1 | | |