

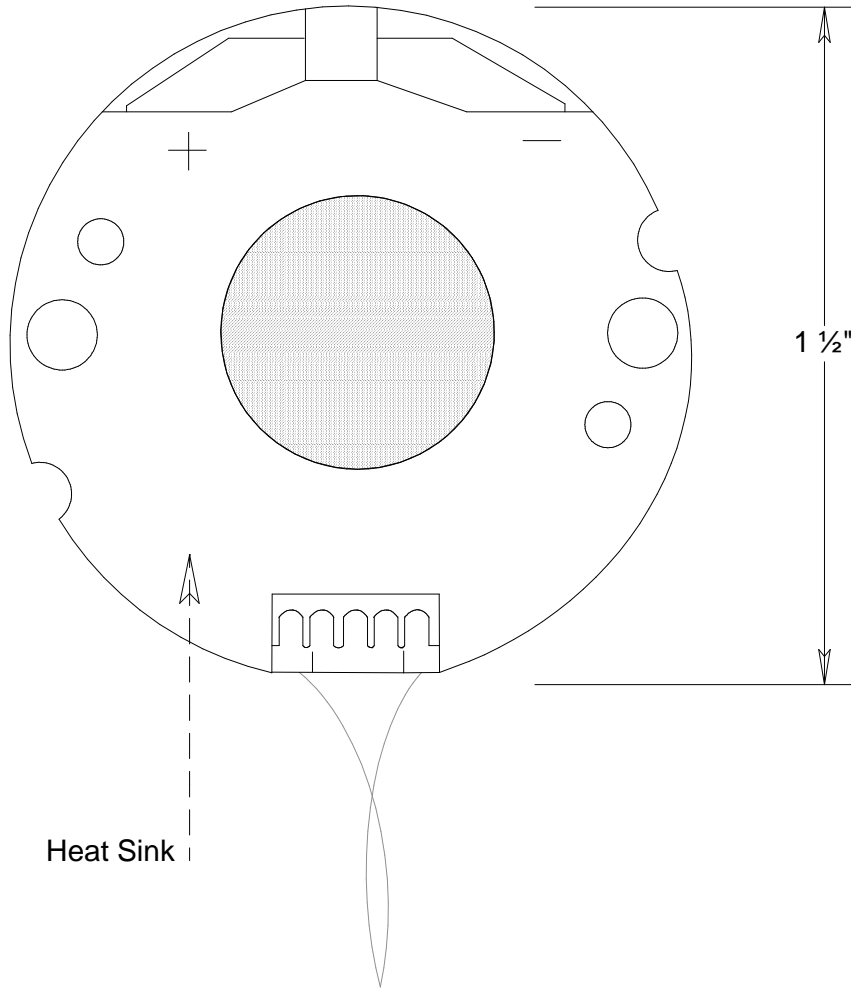


Primelite Manufacturing Corp

407 S Main St, Freeport, NY 11520

Phone: 516-868-4411 | Fax: 516-868-4609
 sales@primelite-mfg.com | www.primelite-mfg.com

PART #	LAMP	VOLTAGE	COLOR
JOB NAME			TYPE



Unless Otherwise Specified: Dimensions in Inches Tolerances: Fractional ± Angular: Mach ± Bend ± Two Place Decimal ± Three Place Decimal ±	Name		Date		LED13				
	Drawn	iv	01/26/18						
	Checked								
	ENG Appr.								
	MFR Appr.		Size	Drawing No.	Rev	Revisions			
QA		A	0001	A	Zone	Rev	Description	Date	Approved
Comments	Scale		CAD File	Sheet					
				1 of 1					